



Trusted Quality Fall Protection



EN 360: 2002

**CE Type Test**

No. 0321  
Satra Technology Centre  
Wyndham Way  
Telford Way  
Kettering, Northants **5**  
NN16 8SD, UK

**CE Production Quality Control**

BSI (0086)  
Kitemark Court  
Davy Ave, Knowlhill  
Milton Keynes **6**  
MK5 8PP, UK

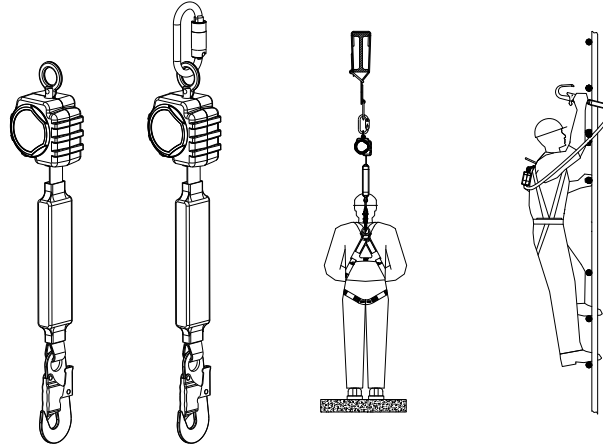
**Rebel™**

**SELF RETRACTING LIFELINES **2****

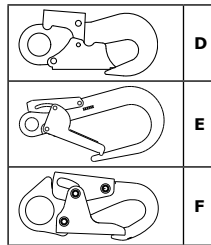
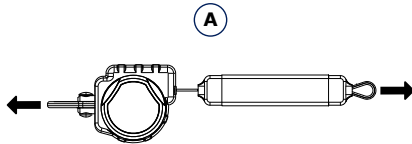
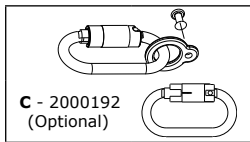
Model Numbers: (See Figure 1) **3**

**INSTRUCTION MANUAL **1****

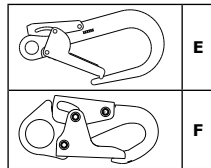
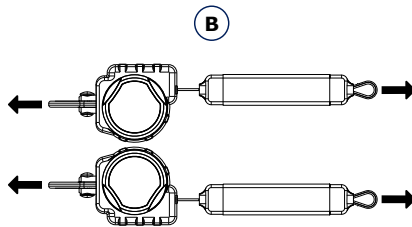
**1**



	C	D	E	F
--	---	---	---	---

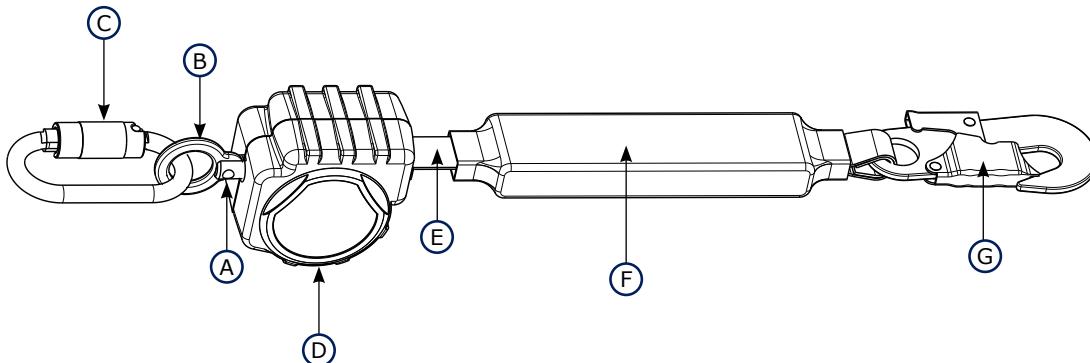


3100418		1		
3100419			1	
3100420	1	1		
3100421	1		1	
3100445	1			1



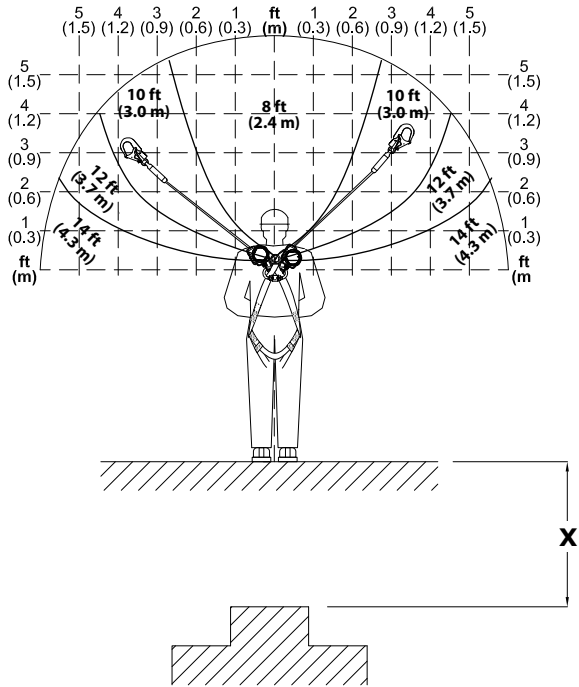
3100422	1		2	
3100446	1			2

**2**

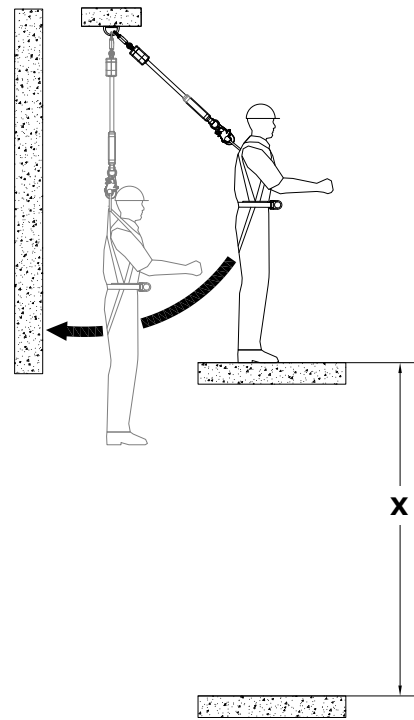


**3**

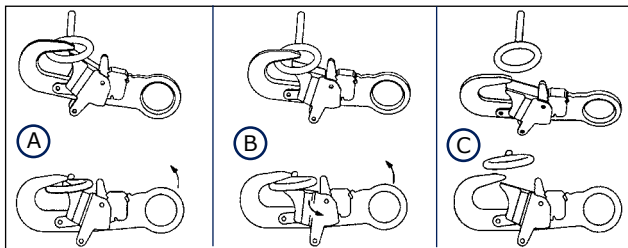
**3A:**



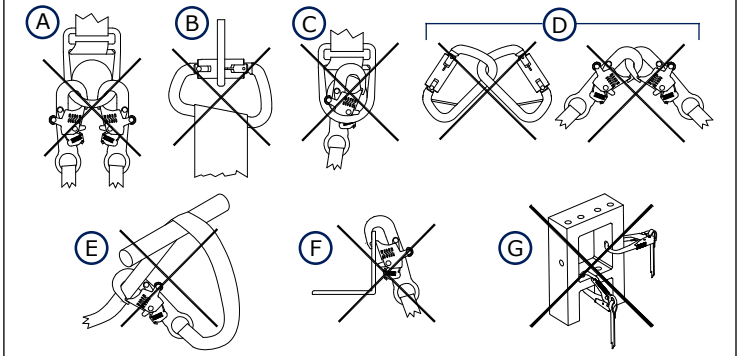
**3B:**



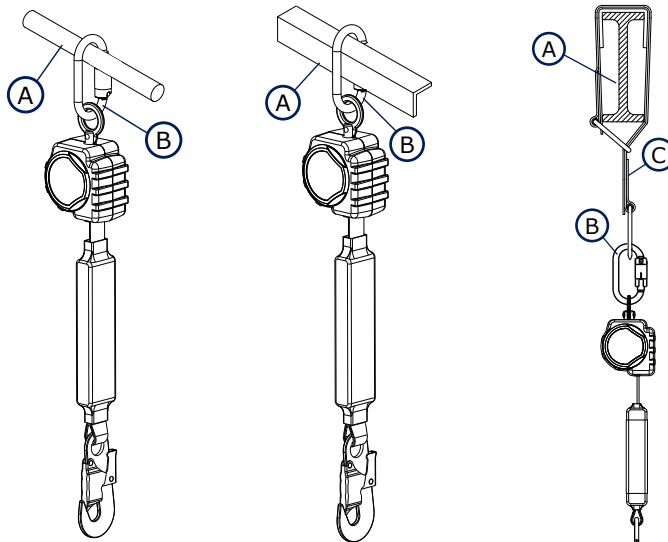
**4**

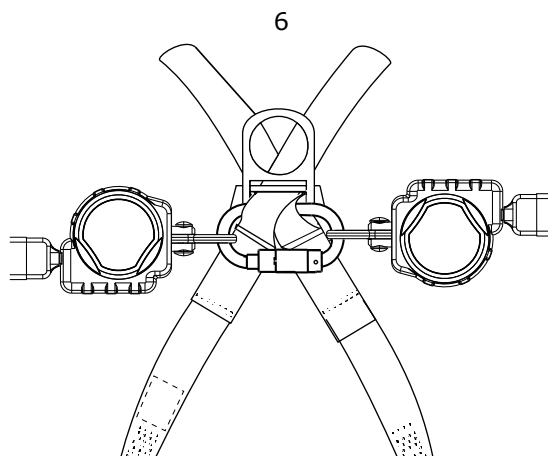
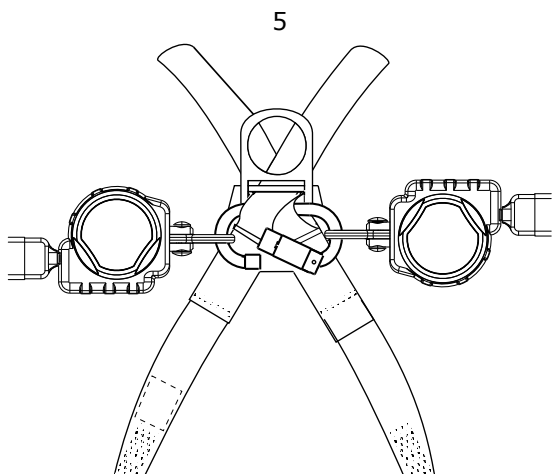
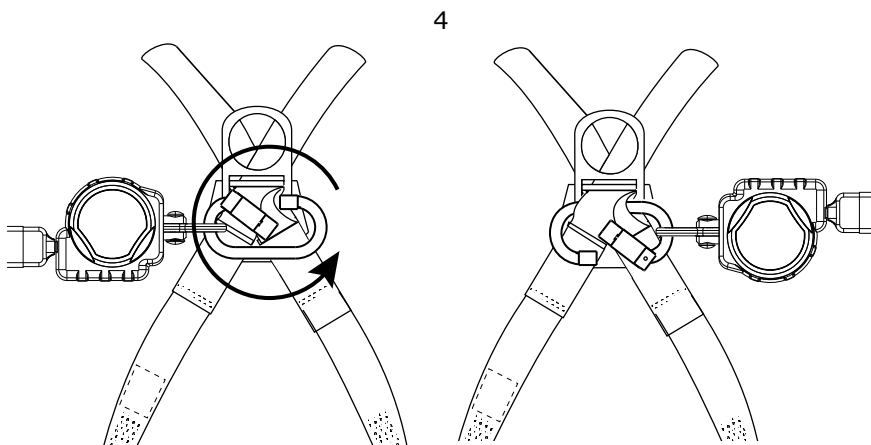
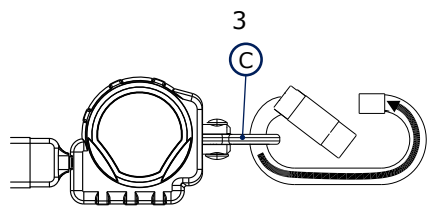
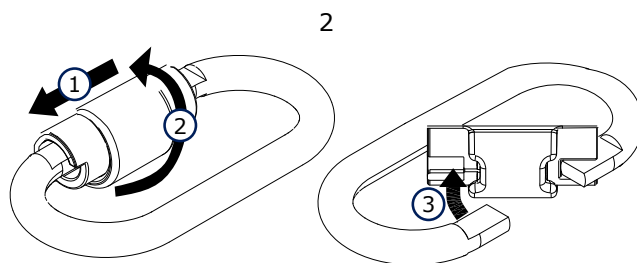
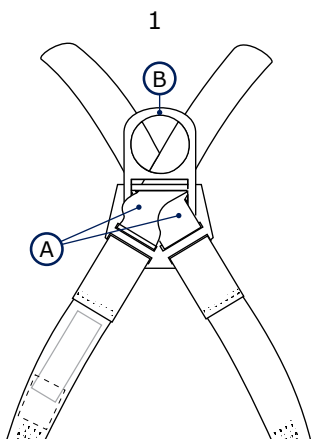


**5**

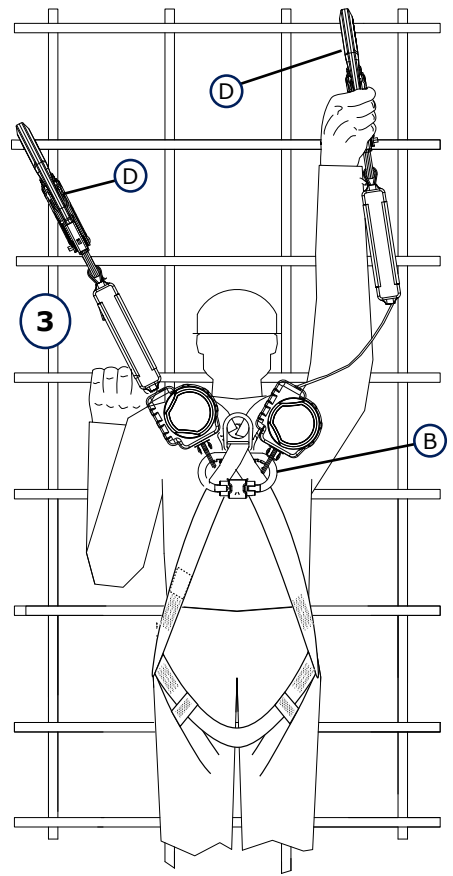
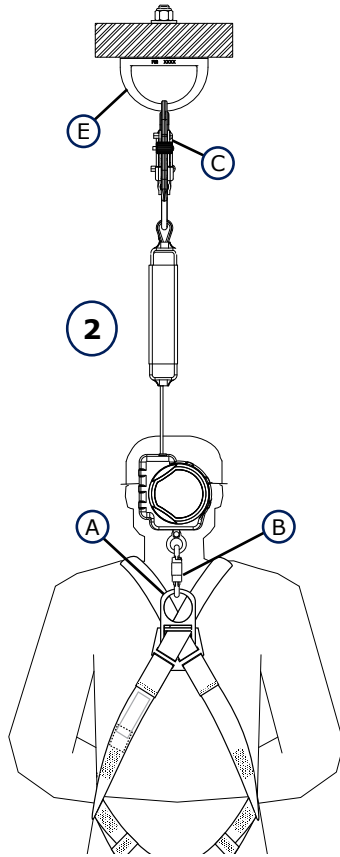
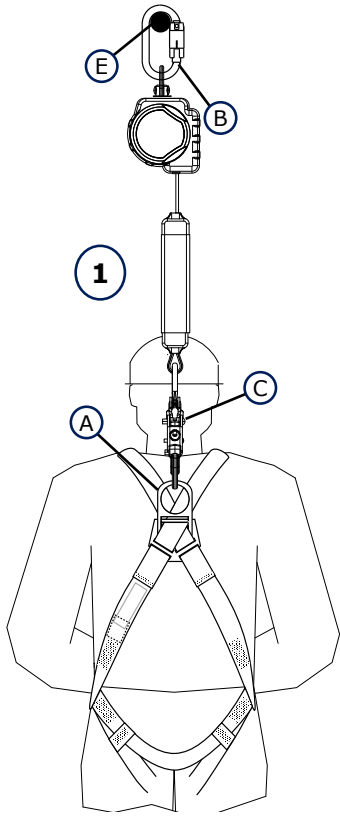


**6**

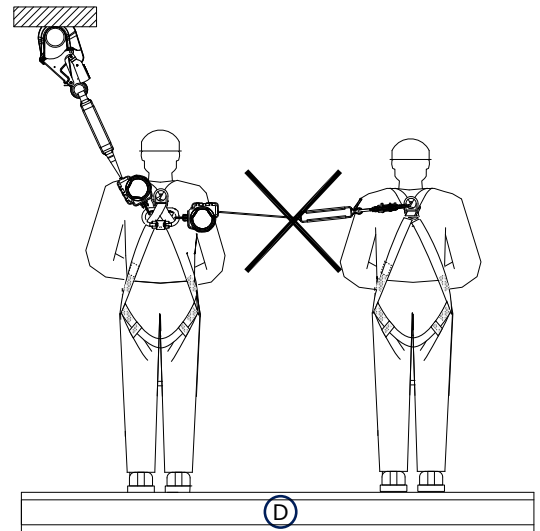
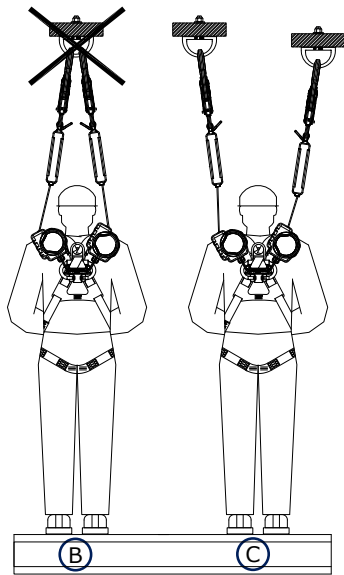
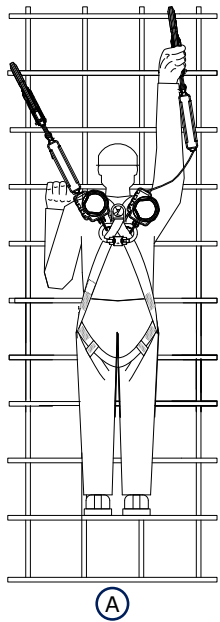


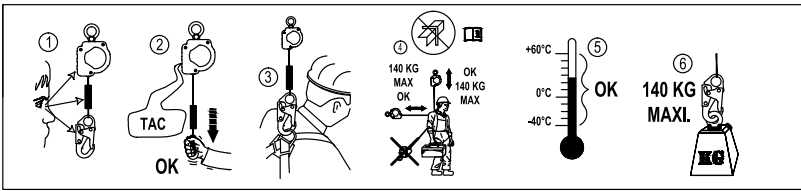
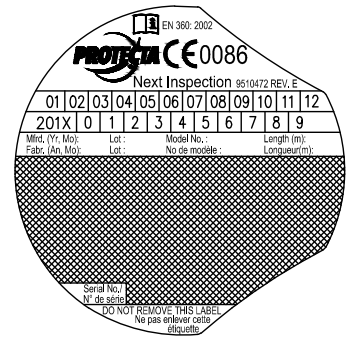
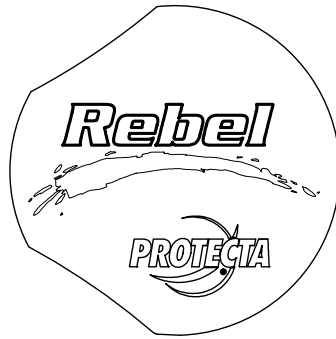
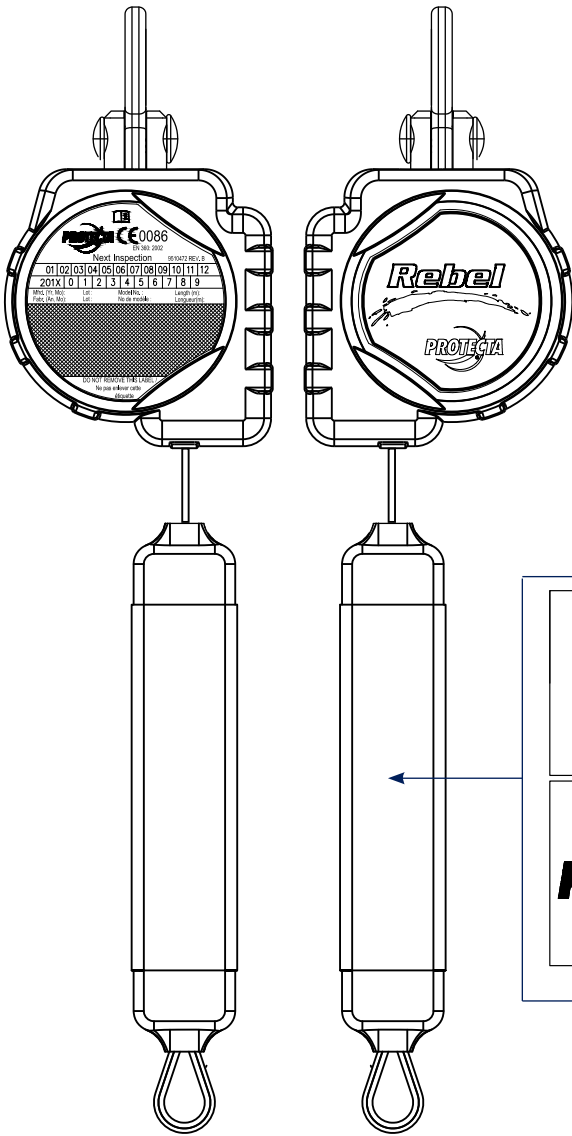


8



9





**WARNING:** This product is part of a personal fall arrest, work positioning, or rescue system. The user must follow the manufacturer's instructions for each component of the system. These instructions must be provided to the user of this equipment. The user must read and understand these instructions before using this equipment. Manufacturer's instructions must be followed for proper use and maintenance of this equipment. Alterations or misuse of this product or failure to follow instructions may result in serious injury or death.

**IMPORTANT:** If you have questions on the use, care, or suitability of this equipment for your application, contact Capital Safety.

**IMPORTANT:** Before using this equipment, record the product identification information from the ID label in the inspection and maintenance log of this manual.

## GLOSSARY REFERENCES

Numbered Glossary References on the front cover of this instruction reference the following items:

- |                                     |  |
|-------------------------------------|--|
| ① User Instructions.                | ④ Standards.   |
| ② Rebel™ Self Retracting Lifelines. | ⑤ Number of body that performed CE test.               |
| ③ Model Numbers: (See Figure 1).    | ⑥ Number of body checking the manufacture of this PPE. |

## DESCRIPTIONS:

Rebel SRLs are 6 ft (2.0 m) Self Retracting Lifelines, equipped with an in-line Load Indicator, which retract into a Thermoplastic Housing. Rebel SRLs are available in several model configurations that allow attachment to an anchorage point and single or dual mounting on a Full Body Harness or similar equipment (see Figure 1). The Rebel SRL automatically locks at the onset of a fall to arrest the fall, but pays out and retracts lifeline during normal movement by the attached user.

Figure 2 illustrates key components of Rebel SRLs:

<b>A</b>	Swivel	<b>B</b>	Swivel Eye	<b>C</b>	Carabiner (optional)	<b>D</b>	Housing
<b>E</b>	Web Lifeline	<b>F</b>	Load Indicator	<b>G</b>	Snap Hook		

## 1.0 APPLICATIONS

- 1.1 PURPOSE:** Capital Safety Self Retracting Lifelines (SRLs) are designed to be a component in a personal fall arrest system (PFAS). Figure 1 illustrates SRLs covered by this instruction manual and their typical applications. They may be used in most situations where a combination of worker mobility and fall protection is required (i.e. inspection work, general construction, maintenance work, oil production, confined space work, etc.).
- 1.2 STANDARDS:** Your SRL conforms to the national standard(s) identified on the front cover of these instructions.
- 1.3 TRAINING:** This equipment is intended to be used by persons trained in its correct application and use. It is the responsibility of the user to assure they are familiar with these instructions and are trained in the correct care and use of this equipment. Users must also be aware of the operating characteristics, application limits, and the consequences of improper use.

## 2.0 LIMITATIONS & REQUIREMENTS

Always consider the following limitations and requirements when installing or using this equipment:

- 2.1 CAPACITY:** SRLs are designed for use by one person with a combined weight (person, clothing, tools, etc.) not exceeding 310 lbs (140 kg) and at least 75 lbs (34 kg).  
At no time shall more than one person connect to a single SRL for fall arrest applications.
- 2.2 MAXIMUM ARREST FORCE AND MAXIMUM ARREST DISTANCE:** SRLs documented in this instruction meet the following Arrest Force maximums:

<b>Weight of Worker</b>	<b>Up to 310 lbs (140 kg)</b>
<b>Average Arresting Force</b>	900 lbs (4.0 kN)
<b>Maximum Arresting Force</b>	1,350 lbs (6.0 kN)

- 2.3 ANCHORAGE:** Anchorage structure for the SRL must be capable of supporting loads up to 2,700 lbs (12 kN). Anchor devices must conform to EN795.

**WARNING:** The anchor point must be located at the same height or above the edge over which a fall might occur. Failure to heed this warning may result in equipment malfunction, serious injury, or death.

- 2.4 RESCUE PLAN:** When using this equipment, the employer must have a rescue plan and the means at hand to implement it and communicate that plan to users, authorized persons, and rescuers.
- 2.5 INSPECTION FREQUENCY:** SRLs shall be inspected by the authorized person<sup>1</sup> or rescuer<sup>2</sup> before each use. Additionally, inspections shall be conducted by a competent person<sup>3</sup> other than the user, and by a factory authorized inspection entity. The competent person shall use the Inspection Schedule (Table 1) to determine appropriate inspection intervals. Inspection procedures are described in the "Inspection Checklist" (Table 2). Results of the Competent Person inspection should be recorded in the "Inspection and Maintenance Log" on the back pages of these instructions.

**Table 1 – Inspection Schedule**

Type of Use	Application Examples	Conditions of Use	Inspection Frequency		
			Competent Person	Factory Authorized	User
Infrequent to Light	Rescue and Confined Space, Factory Maintenance	Good Storage Conditions, Indoor or Infrequent Outdoor Use, Room Temperature, Clean Environments	Annually	At Least Every 2-5 Years, but not longer than intervals required by the manufacturer	Before each use
Moderate to Heavy	Transportation, Residential Construction, Utilities, Warehouse	Fair Storage Conditions, Indoor and Extended Outdoor Use, All Temperatures, Clean or Dusty Environments	Semi-Annually to Annually	At Least Every 1-2 Years, but not longer than intervals required by the manufacturer	Before each use
Severe to Continuous	Commercial Construction, Oil and Gas, Mining	Harsh Storage Conditions, Prolonged or Continuous Outdoor Use, All Temperatures, Dirty Environment	Quarterly to Semi-Annually	At Least Annually, but not longer than intervals required by the manufacturer	Before each use

- 2.6 LOCKING SPEED:** Situations which do not allow for an unobstructed fall path should be avoided. Working in confined or cramped spaces may not allow the body to reach sufficient speed to cause the SRL to lock if a fall occurs. Working on slowly shifting material, such as sand or grain, may not allow enough speed buildup to cause the SRL to lock. A clear path is required to assure positive locking of the SRL.
- 2.7 NORMAL OPERATIONS:** Normal operation will allow the full length of the lifeline to extend and retract with no hesitation when extending and no slack when retracting as the worker moves at normal speeds. If a fall occurs, a speed sensing brake system will activate, stopping the fall and absorbing much of the energy created. For falls which occur near the end of the lifeline travel, a reserve lifeline system or Load Indicator has been incorporated to assure a reduced impact fall arrest. If the SRL has been subjected to fall forces, remove the SRL from service, mark "UNUSABLE", and dispose of in the recommended manner (see "Section 5.4 - Disposal"). Sudden or quick movements should be avoided during normal work operation, as this may cause the SRL to lock up.
- 2.8 FREE FALL:** When anchored overhead, SRLs will limit the free fall distance to 2 ft (0.6 m) or less. To avoid increased fall distances, anchor the SRL directly above the worker. Avoid working where your lifeline may cross or tangle with that of another worker. Avoid working where an object may fall and strike the lifeline; resulting in loss of balance or damage to the lifeline. Do not allow the lifeline to pass under arms or between legs. Never clamp, knot, or prevent the lifeline from retracting or being taut. Avoid slack line. **Do not lengthen SRL by connecting a lanyard or similar component without consulting Capital Safety.**
- 2.9 FALL CLEARANCE:** Figure 3A illustrates Fall Clearance required in feet (meters) between the working level and the nearest obstruction for a user with a total weight up to 310 lbs (140 kg). X = clearance between working level and the nearest obstruction. Ensure adequate clearance exists in the fall path to prevent striking an object during a fall. Do not tie off below the harness Dorsal D-Ring. If the worker will be working at a position that is not directly below the SRL anchorage point, the clearance required and vertical fall distance will be greater.
- 2.10 SWING FALLS:** Swing falls occur when the anchorage point is not directly above the point where a fall occurs (see Figure 3B). The force of striking an object in a swing fall may cause serious injury. In a swing fall, the total vertical fall distance will be greater than if the user had fallen directly below the anchorage point, thus increasing fall clearance required to safely arrest the user. Use Figure 3A to determine the fall clearance for your application. X = clearance between working level and the nearest obstruction. Minimize swing falls by working as directly below the anchorage point as possible. Never permit a swing fall if injury could occur.

**1 Authorized Person:** A person assigned by the employer to perform duties at a location where the person will be exposed to a fall hazard.

**2 Rescuer:** Person or persons other than the rescue subject acting to perform an assisted rescue by operation of a rescue system.

**3 Competent Person:** An individual designated by the employer to be responsible for the immediate supervision, implementation, and monitoring of the employer's managed fall protection program who, through training and knowledge, is capable of identifying, evaluating, and addressing existing and potential fall hazards, and who has the employer's authority to take prompt corrective action with regard to such hazards.

- 2.11 HAZARDS:** Use of this equipment in areas where surrounding hazards exist may require additional precautions to reduce the possibility of injury to the user or damage to the equipment. Hazards may include, but are not limited to: high heat, caustic chemicals, corrosive environments, high voltage power lines, explosive or toxic gases, moving machinery, sharp edges, or overhead materials that may fall and contact the user or fall arrest system.
- 2.12 SHARP EDGES:** Avoid working where the lifeline will be in contact with or abrade against unprotected sharp edges. Where contact with a sharp edge is possible, cover the edge with a protective material.
- 2.13 BODY SUPPORT:** A Full Body Harness must be used with the SRL. The harness connection point must be above the user's center of gravity. A body belt is not authorized for use with the SRL. If a fall occurs when using a body belt it may cause unintentional release and possible suffocation because of improper body support.
- 2.14 COMPATIBILITY OF COMPONENTS:** Unless otherwise noted, Capital Safety equipment is designed for use with Capital Safety approved components and subsystems only. Substitutions or replacements made with non approved components or subsystems may jeopardize compatibility of equipment and may affect safety and reliability of the complete system.

**IMPORTANT:** Read and follow manufacturer's instructions for associated components and subsystems in your personal fall arrest system.

- 2.15 COMPATIBILITY OF CONNECTORS:** Connectors are considered to be compatible with connecting elements when they have been designed to work together in such a way that their sizes and shapes do not cause their gate mechanisms to inadvertently open regardless of how they become oriented. Contact Capital Safety if you have any questions about compatibility.

Connectors used to suspend the SRL must comply with EN362. Connectors must be compatible with the anchorage or other system components. Do not use equipment that is not compatible. Non-compatible connectors may unintentionally disengage (see Figure 4). Connectors must be compatible in size, shape, and strength. Self-locking snap hooks and carabiners are required. If the connecting element to which a snap hook or carabiner attaches is undersized or irregular in shape, a situation could occur where the connecting element applies a force to the gate of the snap hook or carabiner (A). This force may cause the gate to open (B), allowing the snap hook or carabiner to disengage from the connecting point (C).

- 2.16 MAKING CONNECTIONS:** Snap hooks and carabiners used with this equipment must be self-locking. Ensure all connections are compatible in size, shape and strength. Do not use equipment that is not compatible. Ensure all connectors are fully closed and locked.

Capital Safety connectors (snap hooks and carabiners) are designed to be used only as specified in each product's user's instructions. See Figure 5 for examples of inappropriate connections. Do not connect snap hooks and carabiners:

- A. To a D-ring to which another connector is attached.
- B. In a manner that would result in a load on the gate.
- C. In a false engagement, where features that protrude from the snap hook or carabiner catch on the anchor, and without visual confirmation seems to be fully engaged to the anchor point.
- D. To each other.
- E. Directly to webbing or rope lanyard or tie-back (unless the manufacturer's instructions for both the lanyard and connector specifically allows such a connection).
- F. To any object which is shaped or dimensioned such that the snap hook or carabiner will not close and lock, or that roll-out could occur.
- G. In a manner that does not allow the connector to align properly while under load.



### 3.0 INSTALLATION

**3.1 PLANNING:** Plan your fall protection system before starting your work. Account for all factors that may affect your safety before, during, and after a fall. Consider all requirements and limitations defined in Section 2.

**IMPORTANT:** In most applications, the Rebel SRL can be connected to the anchorage or the harness Dorsal location. Either orientation is allowed.

### 3.2 ANCHORAGE:

Figure 6 illustrates typical SRL anchorage connections:

<b>A</b>	Anchorage	<b>B</b>	Connector	<b>C</b>	Tie-Off Adapter
----------	-----------	----------	-----------	----------	-----------------

Select an anchorage location with minimal free fall and swing fall hazards (see Section 2). Select a rigid anchorage point capable of sustaining the static loads defined in Section 2.3. Rebel SRLs must always be anchored at or above the user's Dorsal D-Ring.

**IMPORTANT:** It is recommended that this equipment be installed under the supervision of a qualified person.

### 3.3 HARNESS MOUNTING OPTIONS:

**Single SRL Full Body Harness Mounting:** The Rebel SRL can be connected to the harness dorsal D-Ring with a Carabiner or Snap Hook. (See Figure 8, connection examples 1 and 2). Some Rebel models include a Carabiner. All include a Snap Hook.

Connect the Swivel Eye (Rebel components identified in Figure 2) to the D-Ring on the harness using the Carabiner included with some Rebel models (or use a suitably rated connector), or use the included Snap Hook to connect to the D-Ring. The opposite end of the Rebel must be connected to an anchorage point (see Section 2.3) with an included Carabiner (or a suitably rated connector), or the included Snap Hook.

**Twin SRL Harness Mounting using a Carabiner:** Some Rebel SRL models include a Carabiner (identified in Figure 2) which can connect two Rebel SRLs to a Full Body Harness when climbing applications require 100% tie-off. The Carabiner mounts two Rebel SRLs side-by-side just below the harness Dorsal D-Ring. (See Figure 8, connection example 3)

To mount two Rebel SRLs on a Full Body Harness with the Carabiner: (See Figure 7. A - Web Straps; B - Dorsal D-Ring; C - Swivel Eye, SRL)

**Step 1: Loosen the Harness Webbing:** Pull out on the Web Straps (A) where they pass through the bottom of the Dorsal D-Ring (B) until there is sufficient space to slide the Carabiner between the Web Straps and D-Ring Pad.

**Step 2: Open the Triple-Action Carabiner:** Lift up on the Carabiner Gate (1) and twist it 45 degrees (2) to align the slot in the gate with the Carabiner frame. Push the Gate (3) inward to open the Carabiner.

**Step 3: Mount the first Rebel SRL on the Carabiner:** Insert the Carabiner through the Swivel Eye (C) on the SRL.

**Step 4: Insert the Carabiner through the Web Straps:** With the Carabiner Gate held open, insert the Carabiner behind the Web Straps. Rotate the Carabiner behind the Web Straps until the Carabiner surrounds the the Web Straps and the first Rebel SRL is positioned on the right side of the Carabiner.

**Step 5: Mount the second Rebel SRL on the Carabiner:** Insert the Carabiner through the Swivel Eye on the second SRL. Position the second SRL on the left side of the Carabiner Gate.

**Step 6: Allow the Carabiner Gate to close and lock.**

**Check the mounting of both SRLs:** When properly mounted, the Carabiner should pass through the Web Straps (A) and the SRL Swivel Eyes should be secured on either side of the Carabiner Gate. Pull the Web Straps (A) back through the Dorsal D-Ring and D-Ring Pad to eliminate slack in the webbing and secure the Carabiner between the Web Straps and D-Ring Pad.

## 4.0 USE

**WARNING:** Do not alter or intentionally misuse this equipment. Consult Capital Safety when using this equipment in combination with components or subsystems other than those described in this manual. Some subsystem and component combinations may interfere with the operation of this equipment. Use caution when using this equipment around moving machinery, electrical hazards, chemical hazards, sharp edges, or overhead materials that may fall onto the lifeline. Do not loop the lifeline around small structural members. Failure to heed this warning may result in equipment malfunction, serious injury, or death.

**WARNING:** Consult your doctor if there is reason to doubt your fitness to safely absorb the shock from a fall arrest. Age and fitness seriously affect a worker's ability to withstand falls. Pregnant women or minors must not use self retracting lifelines.

- 4.1 BEFORE EACH USE:** Before each use of this fall protection equipment carefully inspect it to assure it is in good working condition. Check for worn or damaged parts. Ensure all fasteners are present and secure. Check that the lifeline is retracting properly by pulling out the line and allowing it to slowly retract. If there is any hesitation in retraction, remove the SRL from service, mark "UNUSABLE", and dispose of in the recommended manner (see "Section 5.4 - Disposal"). Inspect the lifeline for cuts, frays, burns, crushing and corrosion. Check locking action by pulling sharply on the line. See Section 5 for inspection details.
- 4.2 AFTER A FALL:** Any equipment which has been subjected to the forces of arresting a fall or exhibits damage consistent with the effect of fall arrest forces as described in Section 5, must be removed from service immediately, marked "UNUSABLE", and disposed of in the recommended manner (see "Section 5.4 - Disposal").
- 4.3 BODY SUPPORT:** A full body harness must be worn when using Rebel SRLs. For general fall protection use, connect to the back (dorsal) D-ring. For situations such as ladder climbing, it may be useful to connect to the front of the harness above the worker's center of gravity. This is acceptable provided potential free fall is less than 2 ft (0.6 m) and footing can be easily regained.

**IMPORTANT:** Do not use a body belt for free fall applications. See OSHA 1926.502 for guidelines.

- 4.4 MAKING CONNECTIONS:** Figure 8 illustrates harness and anchorage connections for Rebel SRL Fall Arrest Systems. When using a hook to make a connection, ensure roll-out cannot occur (see Figure 4). Do not use hooks or connectors that will not completely close over the attachment object. Do not use non-locking snap hooks. The anchorage must meet the anchorage strength requirements stated in section 2.3. Follow the manufacturer's instructions supplied with each system component.
- 4.5 OPERATION:** Prior to use, inspect the SRL as described in section 5.0. Figure 8 shows system connections for typical Rebel SRL applications. Connect the Rebel SRL to a suitable anchorage or mount the SRL on the back of a Full Body Harness per the instruction in Section 3. On anchorage connected SRLs, connect the Hook or Carabiner on the Load Indicator to the Dorsal D-Ring on the Full Body Harness. On harness mounted SRLs, connect the Hook or Carabiner to a suitable anchorage. Ensure connections are compatible in size, shape, and strength. Ensure hooks are fully closed and locked. Once attached, the worker is free to move about within the recommended working area at normal speeds. If a fall occurs the SRL will lock and arrest the fall. Upon rescue, remove the SRL from use. When working with an SRL, always allow the lifeline to recoil back into the device under control.

**WARNING:** Do not tie or knot the lifeline. Avoid lifeline contact with sharp or abrasive surfaces. Inspect the lifeline frequently for cuts, fraying, burns, or signs of chemical damage. Dirt, contaminants, and water can lower dielectric properties of the lifeline. Use caution near power lines.

- 4.6 TWIN LEG INTERFACE 100% TIE-OFF:** When two Rebel SRLs are mounted side-by-side on the back of a Full Body Harness, the SRL Fall Arrest System can be used for continuous fall protection (100 % tie-off) while ascending, descending, or moving laterally. With the Lifeline Leg of one SRL attached to an anchorage point, the worker can move to a new location, attach the unused Lifeline Leg of the other SRL to another anchorage point, and then disconnect from the original anchorage point (see Figure 9A). The sequence is repeated until the worker reaches the desired location. Considerations for twin leg 100% tie-off applications include the following:
- Never connect both SRL Lifelines to the same anchorage point. (See Figure 9B)
  - Connection of each Lifeline to a separate anchorage point is acceptable. (see Figure 9C)
  - Never connect more than one person at a time to the Twin-Leg system. (see Figure 9D)
  - Do not allow the Lifelines to become tangled or twisted together as this may prevent them from retracting.
  - Do not allow any Lifeline to pass under arms or between legs during use.
- 4.7 HORIZONTAL SYSTEMS:** In applications where the Rebel SRL is used in conjunction with a horizontal system (i.e. Horizontal Lifeline, Horizontal I-Beams Trolley), the SRL and horizontal system components must be compatible. Horizontal systems must be designed and installed under the supervision of a qualified engineer. Consult the horizontal system equipment manufacturer's instructions for details.

## 5.0 INSPECTION

- 5.1 INSPECTION FREQUENCY:** The Rebel SRL must be inspected at the intervals defined in "Section 2.5 - Inspection Frequency". Inspection procedures are described in the "Inspection Checklist" (Table 2).
- 5.2 UNSAFE OR DEFECTIVE CONDITIONS:** If inspection reveals an unsafe or defective condition, If inspection reveals an unsafe condition, remove the SRL from service, mark "UNUSABLE", and dispose of in the recommended manner (see "Section 5.4 - Disposal").
- 5.3 PRODUCT LIFE:** The functional life of Rebel SRLs is determined by work conditions and maintenance. As long as the SRL passes inspection criteria, it may remain in service.
- 5.4 DISPOSAL:** Dispose of the Rebel SRL if it has been subjected to fall force or inspection reveals an unsafe or defective condition. Before disposing of the SRL, cut the Load Indicator off of the Web Lifeline or otherwise disable the SRL to eliminate the possibility of inadvertent reuse.

## 6.0 MAINTENANCE, SERVICING, AND STORAGE

**6.1 CLEANING:** Cleaning procedures for the Rebel SRL are as follows:

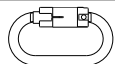
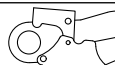
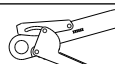

- Periodically clean the exterior of the SRL using water and a mild soap solution. Position the SRL so excess water can drain out. Clean labels as required.
- Clean the Web Lifeline with water and mild soap solution. Rinse and thoroughly air dry. Do not force dry with heat. The lifeline should be dry before allowing it to retract into the housing. An excessive buildup of dirt, paint, etc. may prevent the lifeline from fully retracting back into the housing causing a potential free fall hazard.

**IMPORTANT:** If the lifeline contacts acids or other caustic chemicals, remove the SRL from service and wash with water and a mild soap solution. Inspect the SRL per Table 2 before returning to service.

- 6.2 SERVICE:** Rebel SRLs are not repairable. If the SRL has been subjected to fall force or inspection reveals an unsafe or defective condition, remove the SRL from service, mark "UNUSABLE", and dispose of in the recommended manner (see "Section 5.4 - Disposal").
- 6.3 STORAGE:** Store Rebel SRLs in a cool, dry, clean environment out of direct sunlight. Avoid areas where chemical vapors may exist. Thoroughly inspect the SRL after any period of extended storage.

## 7.0 SPECIFICATIONS

- 7.1 PERFORMANCE:** Your Rebel SRL has been tested and certified to the performance requirements of the standard(s) identified on the cover of this instruction manual. See "Section 2.0 - Limitations & Requirements" for performance specifications.
- 7.2 MATERIALS:** Material specifications for the Rebel SRL are as follows:

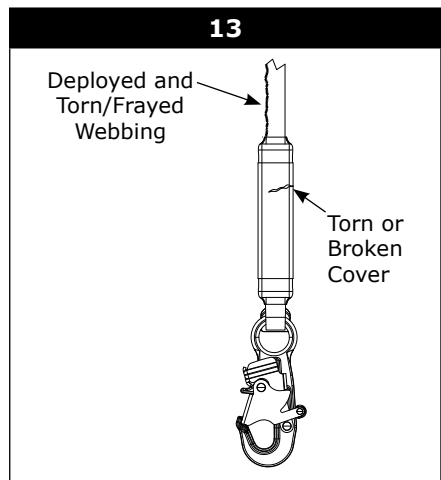
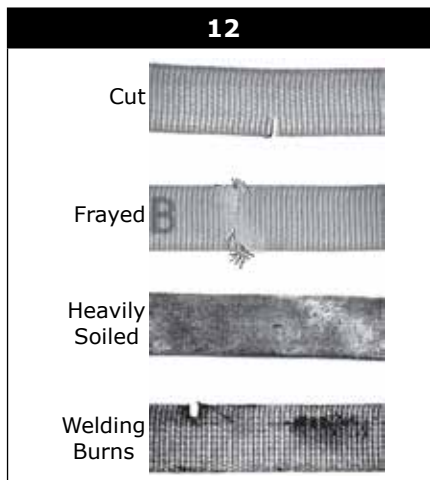
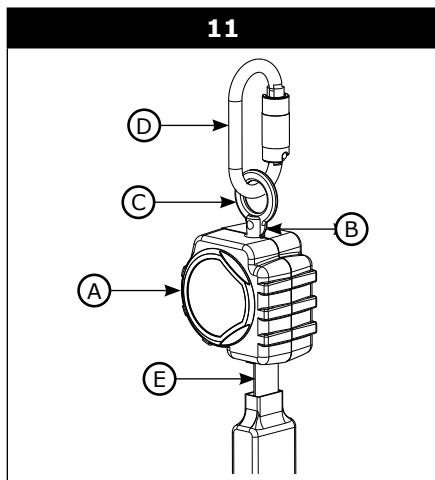
<b>Housing:</b>	Nylon, UV Resistant	<b>Motor Spring:</b>	Stainless Steel		
<b>Drum:</b>	Nylon, Type 6/6	<b>Swivel:</b>	Zinc Plated Steel		
<b>Fasteners:</b>	Zinc Plated Steel Screws; Stainless Steel Rivets	<b>Lifeline:</b>	Polyester Web		
<b>Locking Pawls:</b>	Stainless Steel	<b>Load Indicator</b>	Cover: PVC Tubing Web: Polyester		
<b>Main Shaft:</b>	Stainless Steel				
<b>End Connectors:</b> (See Figure 1)			Gate Opening	Gate Strength	
	C		Steel Carabiner	3/4 in (19 mm)	3,600 lbf (16 kN)
	D		Steel Snap Hook	3/4 in (19 mm)	225 lbf (1 kN)
	E		Steel Rebar Hook	2 1/4 in (57 mm)	3,600 lbf (16 kN)
	F		Steel Snap Hook	3/4 in (19 mm)	3,600 lbf (16 kN)

**7.3 LABELING:** Figure 10 illustrates Rebel SRL labeling. All labels must be present and fully legible.

<b>1</b>	Visually inspect unit. Read instructions.
<b>2</b>	Inspect locking action of SRL. One user maximum.
<b>3</b>	Correct way of connecting SRL to harness.
<b>4</b>	May be connected to an anchorage point above or level with the dorsal D-Ring. 310 lbs (140 kg) maximum.
<b>5</b>	Temperature usage range -40°C + 60°C.
<b>6</b>	Maximum capacity 140 kg.
<b>7</b>	Always allow the lifeline to recoil back into the SRL under control.
<b>8</b>	Do not repair.
<b>9</b>	Store indoors.
<b>10</b>	Do not place the SRL housing on an edge during use.
<b>11</b>	Do not remove label.

**Table 2 – Inspection Checklist**

<b>Component:</b>	<b>Inspection:</b>	<b>Pass</b>	<b>Fail</b>
SRL (Figure 11)	Inspect for loose fasteners and bent or damaged parts.	<input type="checkbox"/>	<input type="checkbox"/>
	Inspect the Housing (A) for distortion, cracks, or other damage.	<input type="checkbox"/>	<input type="checkbox"/>
	Inspect the Swivel (B) and Swivel Eye (C) and Carabiner (D) for distortion, cracks, or other damage. The Swivel should be attached securely to the SRL, but should pivot freely. The Swivel Eye or Integral Connector should rotate freely in the Swivel.	<input type="checkbox"/>	<input type="checkbox"/>
	The Web Lifeline (E) should pull out and retract fully without hesitation or creating a slack line condition.	<input type="checkbox"/>	<input type="checkbox"/>
	Ensure the SRL locks up when the Lifeline is jerked sharply. Lockup should be positive with no slipping.	<input type="checkbox"/>	<input type="checkbox"/>
	All labels must be present and fully legible (see Figure 10).	<input type="checkbox"/>	<input type="checkbox"/>
	Inspect the entire SRL for signs of corrosion.	<input type="checkbox"/>	<input type="checkbox"/>
Web Lifeline (Figure 12)	Inspect the web lifeline for concentrated wear, frayed strands, broken yarn, burns, cuts, and abrasions. The lifeline must be free of knots throughout its length. Inspect for excessive soiling, paint build-up, and rust staining. Inspect for chemical or heat damage indicated by brown, discolored, or brittle areas. Inspect for ultraviolet damage indicated by discoloration and the presence of splinters and splinters on the lifeline surface.	<input type="checkbox"/>	<input type="checkbox"/>
Load Indicator (Figure 13)	Inspect the Load Indicator to determine if it has been activated. There should be no evidence of elongation and the cover should be secure and free of tears or other damage.	<input type="checkbox"/>	<input type="checkbox"/>
End Connectors (Figure 1)	Figure 1 identifies the End Connectors that may be included on your Rebel SRL model. Inspect Snap Hooks, Carabiner, Rebar Hooks, etc. for signs of damage, corrosion, and proper working condition. Where present: Swivels should rotate freely, and Carabiner and Hook Gates should open, close, lock, and unlock properly.	<input type="checkbox"/>	<input type="checkbox"/>





**ADVARSEL:** Dette produkt er en del af et personligt faldsikrings-, arbejdspositionerings- eller redningssystem. Brugeren skal følge producentens anvisninger for hver systemkomponent. Disse anvisninger skal udleveres til brugeren af udstyret. Brugeren skal læse og forstå disse anvisninger, før udstyret bruges. Producentens anvisninger for korrekt brug og vedligeholdelse af dette udstyr skal følges. Ændringer, forkert brug af produktet eller manglende overholdelse af anvisningerne kan resultere i alvorlige personskader eller dødsfald.

**VIGTIGT:** Kontakt Capital Safety, hvis du har spørgsmål vedrørende udstyrets brug, vedligehold eller egnethed.

**VIGTIGT:** Inden udstyret tages i brug, skal produktidentifikationsoplysningerne fra ID-mærkatet noteres i Inspektions- og vedligeholdelsesloggen i denne manual.

## HENVISNINGER

De nummererede ordlistehenvisninger på forsiden af denne vejledning henviser til følgende ting:

- |                                   |  |
|-----------------------------------|--|
| ① Brugsanvisning.                 | ④ Standarder.  |
| ② Rebel™ selvopruddende livliner. | ⑤ Nummer på institution, der udførte CE-test.                          |
| ③ Modelnumre: (Se Figur 1).       | ⑥ Nummer på institution, der kontrollerer fremstillingen af denne PPE. |

## BESKRIVELSER:

Rebel SRL'er er 6 fod (2,0 m) selvopruddende livliner, der er udstyret med en in-line belastningsindikator, der trykkes ind i et termoplastisk hus. Rebel SRL'er findes i flere modeller, som muliggør fastgørelse til et forankringspunkt og enkelte eller dobbelte monteringer på en helkropssele eller lignende udstyr (se Figur 1). Rebel SRL'en låser automatisk, når et fald begynder for at stoppe faldet, men lader livlinen rulle ud og trække sig op under brugerens normale bevægelser.

Figur 2 viser Rebel SRL'ers hovedkomponenter:

<b>A</b>	Drejemeکانisme	<b>B</b>	Forankringsøje	<b>C</b>	Karabinhage (valgfri)	<b>D</b>	Hus
<b>E</b>	Remtøjslivline	<b>F</b>	Belastningsindikator	<b>G</b>	Snaphage		

## 1.0 ANVENDELSER

- 1.1 FORMÅL:** Capital Safetys selvopruddende livliner (SRL'er) er designet til at være komponenter i et personligt faldsikringssystem (PFAS). Figur 1 illustrerer SRL'er, der er omfattet af denne brugsanvisning og deres typiske anvendelsesområder. De kan anvendes i de fleste situationer, hvor der er behov for en kombination af arbejdsmobilitet og faldsikring af arbejderen (for eksempel inspektionsarbejde, alment konstruktionsarbejde, vedligeholdelsesarbejde, olieproduktion, arbejde i indsnævrede rum osv.).
- 1.2 STANDARDER:** Din SRL lever op til de nationale standarder, der er angivet på forsiden af denne brugsanvisning.
- 1.3 UDDANNELSE:** Dette udstyr skal anvendes af personer, der har modtaget uddannelse i korrekt anvendelse og brug heraf. Det er brugerens ansvar at sikre, at de er bekendt med denne vejledning, og at de har modtaget uddannelse i korrekt pleje og brug af dette udstyr. Brugere skal være bekendt med funktionsmæssige egenskaber, anvendelsesbegrænsninger og konsekvenser af forkert brug.

## 2.0 BEGRÆNSNINGER OG KRAV

Tag altid højde for de følgende begrænsninger og krav, når udstyret installeres eller anvendes:

- 2.1 KAPACITET:** SRL'er er konstrueret til at blive brugt af en person med en samlet vægt (person, tøj, redskaber osv.) ikke over 310 lbs (140 kg) og mindst 75 lbs (34 kg).  
Der må på intet tidspunkt kobles mere end én person til ét enkelt SRL til faldsikringsformål.
- 2.2 MAKSIMAL STANDSEKRAFT OG STANDSEAFSTAND:** De SRL'er, der er beskrevet i denne vejledning, er i overensstemmelse med følgende værdier for standsekraft:

<b>Brugerens vægt</b>	<b>Op til 310 lbs (140 kg)</b>
<b>Gennemsnitlig standsekraft</b>	900 lbs (4,0 kN)
<b>Maksimal standsekraft</b>	1350 lbs (6,0 kN)

- 2.2 FORANKRING:** Forankringsstrukturen til SRL'en skal kunne bære en belastning på 2.700 lbs (12 kN). Forankringsanordningerne skal være i overensstemmelse med EN795.

**ADVARSEL:** Forankringspunktet skal befinde sig i samme højde som eller over den kant, som der er risiko for at falde over. Hvis denne advarsel ikke følges, kan det resultere i fejl på udstyret, alvorlige personskader eller dødsfald.

- 2.4 REDNINGSPLAN:** Når dette udstyr anvendes, skal arbejdsgiveren have en redningsplan samt midlerne til at implementere den til rådighed og kommunikere denne plan til brugere, autoriserede personer og reddere.
- 2.5 INSPEKTIONSHYPPIGHED:** SRL'er skal inspiceres af den autoriserede person<sup>1</sup> eller redder<sup>2</sup> før hver anvendelse. Derudover skal inspektionerne gennemføres af en kvalificeret person<sup>3</sup> anden end brugeren, og en af producenten autoriseret inspektionsenhed. Den kompetente person skal benytte inspektionsprogrammet (Tabel 1) for at bestemme passende intervaller for eftersyn. Inspektionsprocedurer er beskrevet i "Inspektionstjeklisten" (Tabel 2). Resultaterne af hvert eftersyn foretaget af den kvalificerede person skal noteres i "Inspektions- og vedligeholdelsesloggen" bag i denne vejledning.

**Tabel 1 - Inspektionsskema**

Brugstype	Eksempler på anvendelse	Brugsbetingelser	Inspektionshyppighed		
			Kvalificeret person	Autoriseret af producent	Bruger
Lejlighedsvis til let	Redning og snævre områder, fabriksvedligeholdelse	Gode opbevaringsbetingelser, indendørs eller lejlighedsvis udendørs brug, stuetemperatur, rene omgivelser	Årligt	Mindst hver 2 til 5 år, men ikke længere end intervaller, der kræves af producenten	Før hver ibrugtagning
Moderat til massiv	Transport, boligbyggeri, forsyningsværker, lagerbygninger	Rimelige opbevaringsbetingelser, indendørs og omfattende udendørs brug, alle temperaturer, rene eller støvede omgivelser	Halvårligt til årligt	Mindst hver 1 til 2 år, men ikke længere end intervaller, der kræves af producenten	Før hver ibrugtagning
Alvorlig til kontinuerlig	Erhvervsbyggeri, olie og gas, minearbejde	Barske opbevaringsbetingelser, langvarig eller kontinuerlig udendørs brug, alle temperaturer, beskidte omgivelser	Kvartalsvist til halvårligt	Mindst én gang årligt, men ikke længere end intervaller, der kræves af producenten	Før hver ibrugtagning

- 2.6 LÅSNINGSHASTIGHED:** Situationer, som ikke muliggør en uhindret faldvej, bør undgås. Arbejde i snævre eller trange områder vil muligvis ikke lade kroppen nå en tilstrækkelig hastighed til, at SRL'en (den selvopullende livline) låser i tilfælde af et fald. Arbejde på langsomt rykkende materialer, såsom sand eller korn, giver muligvis ikke tilstrækkelig hastighed til, at SRL'en låser. En uhindret vej er påkrævet for at sikre låsning af SRL'en.
- 2.7 NORMAL FUNKTION:** Under normal funktion rulles livlinen ud i fuld længde uden hindring og op igen uden at blive slap, når arbejderens bevægelse sig med normal hastighed. I tilfælde af et fald vil et hastighedsfølsomt bremsesystem blive aktiveret og stoppe faldet samt absorbere en stor del af den skabte energi. For fald, som sker nær slutningen af livlinens vandring, er der blevet indbygget et reservelivlinesystem eller en belastningsindikator for at sikre mindre påvirkning fra faldstandsningen. Hvis SRL'en har været udsat for kraftpåvirkning som følge af et fald, skal SRL'en tages ud af brug, mærkes "IKKE EGNET TIL BRUG" og bortskaffes på korrekt vis (se "Afsnit 5.4 – Bortskaffelse"). Pludselige eller hurtige bevægelser bør undgås under normal arbejdsgang, da det kan medføre, at SRL'en låser.
- 2.8 FRIT FALD:** Når den er forankret over hovedet, vil SRL'en begrænse frit fald til 2 fod (0,6 m) eller derunder. For at undgå større faldlængder skal SRL'en forankres umiddelbart over arbejderens. Undgå at arbejde på steder, hvor din livline kan krydse eller sammenfiltres med en anden arbejders line. Undgå at arbejde, hvor genstande kan falde ned og ramme livlinen og medføre, at man mister balancen, eller at livlinen beskadiges. Lad ikke livlinen gå ind under armene eller mellem benene. Livlinen må aldrig fastklemmes, bindes eller på anden måde forhindres i at rulle sig op eller være stram. Undgå en slap line. **Undlad at forlænge SRL'en ved at tilkoble et taljereb eller en lignende komponent uden først at rådføre dig med Capital Safety.**
- 2.9 FALDEAFSTAND:** Figur 3A viser faldspillerum, der kræves i fod (meter) mellem brugerens niveau og den nærmeste forhindring for en bruger med en samlet vægt på op til 310 lbs (140 kg). X = spillerum mellem brugerens niveau og den nærmeste forhindring. Sørg for, at der er en uhindret faldsti, således at man undgår at ramme en genstand under et fald. Må ikke afbindes under selens D-ring på ryggen. Hvis brugeren skal arbejde i en position, som ikke er lige under den selvopullende livlines forankringspunkt, er den nødvendige faldlængde og den lodrette faldafstand større.
- 2.10 SVINGFALD:** Svingfald sker, når forankringspunktet ikke befinder sig umiddelbart over punktet, hvor faldet sker (se Figur 3B). Den kraft, der udøves, når en genstand rammes i et svingfald, kan forårsage alvorlig personskade. I en svingfaldssituation vil brugerens samlede lodrette faldafstand være større, end hvis brugeren var faldet lodret ned lige under forankringspunktet, hvilket øger den nødvendige faldlængde for sikkert at kunne standse brugerens fald. Brug Figur 3A til at fastlægge faldafstanden til din brugssituation. X = spillerum mellem brugerens niveau og den nærmeste forhindring. Svingfald kan minimeres ved så vidt muligt at arbejde lige under forankringspunktet. Tillad aldrig risikoen for svingfald, hvis det kan medføre personskade.

**1 Autoriseret person:** En person, der er udpeget af arbejdsgiveren til at udføre opgaver på en beliggenhed, hvor personen vil være udsat for en faldrisiko.

**2 Redder:** Person eller personer, udover den person, der bliver reddet, som handler for at foretage en assisteret undsætning ved brug af et redningssystem.

**3 Kvalificeret person:** Et individ, der af arbejdsgiveren er udpeget til at være ansvarlig for det umiddelbare tilsyn, implementering og overvågning af arbejdsgiverens anvendte faldsikringsprogram, som, gennem uddannelse og viden, er i stand til at identificere, vurdere og afhjælpe eksisterende og potentielle risici for fald, og som på arbejdsgiverens vegne har tilladelse til straks at træffe korrigerende foranstaltninger med hensyn til sådanne risici.

- 2.11 FARER:** Når dette udstyr anvendes i farlige områder, kan det være nødvendigt at træffe yderligere forholdsregler for at reducere risikoen for, at brugeren kommer til skade, eller at udstyret beskadiges. Faremomenter kan omfatte, men er ikke begrænset til: Høj varme, ætsende kemikalier, korrosive miljøer, højspændingsledninger, eksplosive eller giftige gasser, kørende maskineri, skarpe kanter eller overliggende materialer, som kan falde ned og ramme brugeren eller faldsikringssystemet.
- 2.12 SKARPE KANTER:** Undgå at arbejde, hvor livlinen kan komme i kontakt med eller skrabe mod skarpe kanter. Hvor kontakt med en skarp kant ikke kan undgås, skal kanten dækkes med et beskyttende materiale.
- 2.13 KROPSSELE:** Der skal anvendes en helkropssele sammen med SRL'en. Selens samlingspunkt skal være over brugerens tyngdepunkt. Det er forbudt at anvende et kropsbælte sammen med SRL'en (den selvoprullende livline). Hvis der sker et fald, mens der bruges et kropsbælte, kan det medføre utilsigtet udløsning og mulig kvælning på grund af forkeret kropsstøtte.
- 2.14 KOMPONENTKOMPATIBILITET:** Medmindre andet er anført, må Capital Safety-udstyr kun bruges sammen med Capital Safety-godkendte komponenter og delsystemer. Udskiftning eller reparation med ikke-godkendte komponenter eller delsystemer kan bringe udstyrets kompatibilitet i fare og kan påvirke det komplette systems sikkerhed og pålidelighed.

**VIGTIGT:** Læs og følg producentens anvisninger for tilknyttede komponenter og delsystemer i dit personlige faldsikringssystem.

- 2.15 KONNEKTORKOMPATIBILITET:** Konnektorer betragtes som kompatible med forbindelsesanordninger, når de er konstrueret til at fungere sammen på en sådan måde, at størrelserne og formerne ikke får deres ledmekanismer til utilsigtet at åbne sig, uanset hvordan de bliver vendt. Kontakt Capital Safety, hvis du har spørgsmål vedrørende kompatibilitet.

Konnektorer, som anvendes til ophæng af SRL'en, skal være i overensstemmelse med EN362. Konnektorer skal være kompatible med forankringen og andre systemkomponenter. Anvend ikke udstyr, der ikke er kompatibelt. Ikke-kompatible konnektorer kan løsrive sig ved et uheld (se Figur 4). Konnektorer skal være kompatible med hensyn til størrelse, form og styrke. Der kræves selvlåsende snapkroge og karabinhager. Hvis tilslutningselementet, som en snapkrog eller karabinhage er fastgjort til, er for lille eller har en uregelmæssig form, kan der opstå en situation, hvor tilslutningselementet belaster snapkrogens eller karabinhagens led (A). Denne belastning kan medføre, at leddet åbnes (B), således at snapkrogen eller karabinhagen løsrives fra forbindelsespunktet (C).

- 2.16 OPRETTELSE AF TILSLUTNINGER:** Snapkroge og karabinhager anvendt med dette udstyr skal være selvlåsende. Sørg for, at alle forbindelser er kompatible i størrelse, form og styrke. Anvend ikke udstyr, der ikke er kompatibelt. Sørg for, at alle konnektorer er helt lukkede og låste.

Capital Safety-konnektorer (snapkroge og karabinhager) er udelukkende konstrueret til brug, som specificeret i hvert produkts brugsanvisning. Se Figur 5 for eksempler på forkerte forbindelser. Tilslut ikke snapkroge og karabinhager:

- Til en D-ring, som en anden konnektor er fastgjort til.
- På en måde, som vil medføre belastning på leddet.
- På en forkert måde, hvor dele, som stikker ud fra snapkrogen eller karabinhagen, griber fat i forankringen, og uden visuel bekræftelse synes at være korrekt fastgjort til forankringspunktet.
- Til hinanden.
- Direkte til selen, taljerebet eller forankringslinen (medmindre producentens vejledning for både taljereb og konnektor specifikt tillader en sådan tilslutning).
- Til en genstand med en form eller størrelse, som gør, at snapkrogen eller karabinhagen ikke vil lukke og låse, eller som kan få linen til at rulle sig ud.
- På en måde, som forhindrer konnektoren i at flugte korrekt under belastning.



### 3.0 INSTALLATION

**3.1 PLANLÆGNING:** Planlæg dit faldsikringsystem, inden du starter arbejdet. Tag højde for alle faktorer, der kan påvirke din sikkerhed inden, under og efter et fald. Overvej alle krav og begrænsninger angivet i Afsnit 2.

**VIGTIGT:** I de fleste brugssituationer kan Rebel SRL tilsluttes til forankringen eller til selen på ryggen. Begge retninger er tilladte.

### 3.2 FORANKRING:

Figur 6 viser almindelige SRL-forankringstilslutninger:

<b>A</b>	Forankring	<b>B</b>	Konnektor	<b>C</b>	Tie-Off adapter
----------	------------	----------	-----------	----------	-----------------

Vælg et forankringssted med minimal risiko for frit fald og svingfald (se Afsnit 2). Vælg et fast forankringspunkt, der er i stand til at modstå de statiske belastninger, der er beskrevet i afsnit 2.3. Rebel SRL'er skal altid være forankret på eller over brugerens D-ring på ryggen.

**VIGTIGT:** Det anbefales, at dette udstyr bliver installeret under opsyn af en kvalificeret person.

### 3.3 MONTERINGSMULIGHEDER FOR SELETØJ:

**Enkelt SRL-montering af helkropssele:** Rebel SRL kan tilsluttes til seletøjets dorsale D-ring med en karabinhage eller snaphage. (Se figur 8, eksempler på tilslutning 1 og 2). Nogle Rebel-modeller inkluderer en karabinhage. De har alle en snaphage.

Slut Swivel Eye (Rebel-komponenter identificeret i figur 2) til D-ringen på selen ved hjælp af en karabinhage, der er inkluderet for nogle Rebel-modeller (eller brug et passende godkendt stik), eller brug den medfølgende snaphage til at forbinde til D-ringen. Den modsatte ende af Rebel skal sluttes til et forankringspunkt (se afsnit 2.3) med en inkluderet karabinhage (eller et passende godkendt stik), eller den medfølgende snaphage.

**Twin SRL-seletøjsmontering ved hjælp af en karabinhage:** Nogle Rebel SRL-modeller omfatter en karabinhage (identificeret i figur 2), der kan forbinde to Rebel SRL'er til en helkropssele, hvis klatringen kræver 100 % hæftning. Karabinhage monterer to Rebel SRL'er side-ved-side lige under selens D-ring på ryggen (Se Figur 8, eksempel på tilslutning 3)

For at montere to Rebel SRL'er på en helkropssele med karabinhage: (Se Figur 7. A - Remstropper; B - D-Ring på ryggen; C - Swivel Eye, SRL)

**Trin 1: Løsn faldselens remtøj:** Træk ud i remstropperne (A) der, hvor de passerer gennem det nederste af D-ringen på ryggen (B), indtil der er tilstrækkelig plads til at indsætte karabinhagen mellem remstropperne og D-ring-puden.

**Trin 2: Åbn triple-aktion karabinhagen:** Løft op på karabinhageporten (1) og drej den 45 grader (2) for at justere hullet i porten med karabinhagerammen. Skub porten (3) indad for at åbne karabinhagen.

**Trin 3: Montér den første Rebel SRL på karabinhagen:** Indsæt karabinhagen gennem Swivel Eye (C) på SRL'en.

**Trin 4: Indsæt karabinhagen gennem remstropperne:** Med karabinhageporten åben indsættes karabinhagen bag remstropperne. Drej karabinhagen bag remstropperne indtil karabinhagen omgiver remstropperne og den første Rebel SRL er placeret på højre side af karabinhagen.

**Trin 5: Montér den anden Rebel SRL på karabinhagen:** Indsæt karabinhagen gennem Swivel Eye (C) på den anden SRL. Placer den anden SRL på venstre side af karabinhageporten.

**Trin 6: Tillad at karabinhageporten lukkes og låses.**

**Kontrollér monteringen af begge SRL'er:** Ved montering efter hensigten, bør karabinhagen passere gennem remstropperne (A) og SRL Swivel Eyes bør være sikret på begge sider af karabinhageporten. Træk remstropperne (A) tilbage gennem D-ringen på ryggen og D-ring-puden for at fjerne slør i remmene og fastgør karabinhagen mellem remstropperne og D-ring-puden.

### 4.0 BRUG

**ADVARSEL:** Dette udstyr må ikke ændres eller bruges forkert med vilje. Rådfør dig med Capital Safety, hvis dette udstyr skal bruges i kombination med andre komponenter eller delsystemer end dem, der er beskrevet i denne vejledning. Kombinationer med visse delsystemer og komponenter kan forstyrre driften af dette udstyr. Udvis forsigtighed, når du bruger dette udstyr i nærheden af kørende maskineri, elektriske farer, kemiske farer, skarpe kanter eller overliggende materialer, der kan falde ned på livlinen. Vikl ikke livlinen rundt om små strukturelle dele. Hvis denne advarsel ikke følges, kan det resultere i fejl på udstyret, alvorlige skader eller dødsfald.

**ADVARSEL:** Kontakt din læge, hvis du har grund til at tro, at du fysisk ikke vil kunne klare stødet fra faldsikringen. Alder og fysisk form påvirker i høj grad en arbejders evne til at kunne modstå fald. Gravide kvinder og mindreårige må ikke anvende selvopruddende livliner.

- 4.1 FØR HVER BRUG:** Inspicer dette faldsikringsudstyr omhyggeligt hver gang, inden det anvendes for at sikre, at det er i god arbejdsmæssig stand. Se efter, om der er beskadigede eller slidte dele. Sørg for, at alle fastgørelserne er til stede og sikre. Kontrollér, at livlinen ruller sig korrekt sammen ved at trække linen ud og langsomt lade den rulle ind. Hvis livlinen på nogen måde er hindret i at rulle sig op, skal SRL'et tages ud af brug, mærkes "IKKE EGNET TIL BRUG", og bortskaffes på korrekt vis (se "Afsnit 5.4 - Bortskaffelse"). Inspicér livlinen for flænger, flosser, brændmærker, sammentrykninger og tæring. Kontroller låsemekanismen ved at trække hårdt i linen. Se Afsnit 5 for inspektionsdetaljer.
- 4.2 EFTER ET FALD:** Alt udstyr, der har været udsat for kraftpåvirkning i forbindelse med at standse et fald, eller som viser tegn på beskadigelse som følge af kraftpåvirkning som beskrevet i Afsnit 5, skal straks tages ud af brug, mærkes "IKKE EGNET TIL BRUG" og bortskaffes på korrekt vis (se "Afsnit 5.4 - Bortskaffelse").
- 4.3 KROPSSELE:** Når du anvender Rebel SRL'er, skal du anvende en helkropssele. Til generel faldsikringsbrug kobles den til den bagerste D-ring (ryggen). Til situationer såsom klatring på stiger kan det være en god ide at koble den fast forrest på selen over brugerens tyngdepunkt. Dette er acceptabelt, såfremt potentielle frie fald er under 2 fod (0,6 m.), og du nemt kan få fodfæste igen.

**VIGTIGT:** Brug ikke et kropsbælte til applikationer, der involverer frit fald. Se OSHA 1926.502 for retningslinier.

- 4.4 OPRETTELSE AF TILSLUTNINGER:** Figur 8 illustrerer sele- og forankringspunktets forbindelser til Rebel SRL faldsikringssystemer. Foretages sammenkoblingen med en krog, skal du sørge for, at linen ikke kan rulle ud (se Figur 4). Undlad at bruge kroge eller konnektorer, der ikke lukker fuldstændigt over det tilkoblede emne. Undlad at bruge ikke-låsende snapkroge. Forankringen skal leve op til de krav til forankringsstyrke, som er anført i afsnit 2.3. Følg altid de anvisninger fra producenten, der leveres med hver systemkomponent.
- 4.5 BETJENING:** Før brug skal SRL'en efterses som beskrevet i Afsnit 5.0. Figur 8 viser systemsammenkoblinger for typiske Rebel SRL anvendelser: Tilslut Rebel SRL'en til et egnet forankringspunkt eller monter SRL'en bag på en helkropssele som beskrevet i vejledningen i Afsnit 3. På SRL'er tilsluttet til forankring, forbindes krog eller karabinhagen på belastningsindikatoren til D-ringen på ryggen af helkropssele. På selemonterede SRL'er forbindes krog eller karabinhagen til en egnet forankring. Sørg for, at alle forbindelser er kompatible i størrelse, form og styrke. Sørg for, at alle kroge er helt lukkede og låste. Når først arbejderen er fastgjort, kan denne frit bevæge sig omkring inden for det anbefalede arbejdsområde ved normal hastighed. Hvis der skulle ske et fald, vil SRL'en låse og standse faldet. Efter en redning skal SRL'en tages ud af brug. Under arbejde med en SRL skal du altid lade livlinen rulle tilbage i anordningen, mens du holder øje med den.

**ADVARSEL:** Undgå at binde livlinen sammen eller binde knuder på den. Undgå, at livlinen kommer i kontakt med skarpe eller slibende overflader. Efterse hyppigt livlinen for flænger, flossede kanter, forbrændinger eller tegn på kemikaliebeskadigelse. Snavs, kontaminering og vand kan reducere livlinens dielektriske egenskaber. Udvis forsigtighed nær højspændingsledninger.

- 4.6 DOBBELTBENET INTERFACE 100 % TIE-OFF:** Når to Rebel SRL'er er monteret ved siden af hinanden bag på en helkropssele, kan SRL-faldsikringssystemet bruges til kontinuerlig faldsikring (100 % tie-off), mens brugeren kravler op, ned eller bevæger sig sidelæns. Når livlineforankringen fra en SRL er fastgjort til et forankringspunkt, kan arbejderen flytte til en ny placering, fastgøre den ubrugte livlineforankring fra den anden SRL til et andet forankringspunkt og derefter frakoble sig fra det oprindelige forankringspunkt. (se Figur 9A) Denne fremgangsmåde gentages, indtil arbejderen når den ønskede placering. Ved anvendelse af dobbelt forankring med 100 % afsnøringsapplikationer skal der tages følgende hensyn:
- Tilslut aldrig Både SRL Lifelines til samme forankringspunkt. (Se figur 9B)
  - Tilkobling af hver livline til et separat forankringspunkt er acceptabelt. (se Figur 9C)
  - Forbind aldrig mere end én person ad gangen til det dobbelte forankringssystem. (se Figur 9D)
  - Sørg for, at livlinerne ikke vikler eller snor sig sammen, da dette kan forhindre dem i at rulle sig op.
  - Lad ingen livline gå under armene eller mellem benene under brug.
- 4.7 VANDRETTE SYSTEMER:** Ved anvendelser, hvor et Rebel SRL anvendes sammen med et vandret system (dvs. vandrette livliner, vandrette I-bjælketrolleys), skal SRL'ens og det vandrette systems komponenter være kompatible. Vandrette systemer skal være konstrueret og installeret under opsyn af en kvalificeret ingeniør. Se anvisningerne fra producenten af det vandrette system for flere oplysninger.

## 5.0 INSPEKTION

- 5.1 INSPEKTIONSHYPPIGHED:** Rebel SRL skal inspiceres med de intervaller, som er angivet i "afsnit 2.5 - Inspektionshyppighed". Inspektionsprocedurer er beskrevet i "Inspektionstjeklisten" (Tabel 2).
- 5.2 USIKRE ELLER DEFEKTE TILSTANDE:** Hvis inspektionen afslører usikre eller defekte tilstande, skal SRL'en tages ud af brug, mærkes "IKKE EGNET TIL BRUG" og bortskaffes på korrekt vis (se "Afsnit 5.4 - Bortskaffelse").
- 5.3 PRODUKTETS LEVETID:** Den driftsmæssige levetid for Rebel SRL'er bestemmes af arbejdsbetingelser og vedligeholdelse. Så længe SRL'en godkendes ved inspektionen, må den fortsat bruges.
- 5.4 BORTSKAFFELSE:** Bortskaf Rebel SRL, hvis det har været udsat for faldpåvirkning eller, hvis der ved eftersyn konstateres usikre eller defekte omstændigheder. Før SRL'en bortskaffes, skal belastningsindikatoren skæres af taljerebet, eller SRL'en skal ødelægges for at forhindre muligheden for at den utilsigtet genbruges.

## 6.0 VEDLIGEHOLDELSE, SERVICE OG OPBEVARING

**6.1 RENGØRING:** Rengøringsprocedurerne for Rebel SRL'en er som følger:

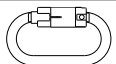
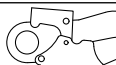
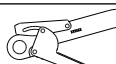

- Rengør regelmæssigt SRL'en udvendigt med vand og en mild sæbeopløsning. Placer SRL'en således, at overskydende vand kan løbe ud. Rengør mærkaterne efter behov.
- Rengør livlinen med vand og en mild sæbeopløsning. Skyl og lufttør grundigt. Undlad hurtig tørring med varme. Livlinen skal være tør, før du lader den rulle op i huset. Overdreven ophobning af snavs, maling osv. kan forhindre livlinen i at trække sig helt tilbage i huset, hvilket kan udgøre en potentiel risiko ved frit fald.

**VIGTIGT:** Hvis livlinen kommer i kontakt med syrer eller andre ætsende kemikalier, skal SRL'en tages ud af brug og vaskes med vand og en mild sæbeopløsning. Efterse SRL'en i henhold til Tabel 2, før den tages i brug igen.

- 6.2 SERVICE:** Rebel SRL'er kan ikke repareres. Hvis SRL'en har været udsat for kraftpåvirkning som følge af et fald, eller hvis inspektionen afslører usikre eller defekte tilstande, skal SRL'en tages ud af brug, mærkes "IKKE EGNET TIL BRUG" og bortskaffes på korrekt vis (se "Afsnit 5.4 - Bortskaffelse").
- 6.3 OPBEVARING:** Opbevar Rebel SRL'er på et køligt, tørt sted væk fra direkte sollys. Undgå steder, hvor der kan være kemikaliedampe. Efterse altid SRL'en omhyggeligt efter længere tids opbevaring.

## 7.0 SPECIFIKATIONER

- 7.1 YDEEVNE:** Din Rebel SRL er blevet testet og certificeret i henhold til kravene til ydeevne i de standarder, som er angivet på forsiden af denne brugsanvisning. Se "Afsnit 2.0 - Begrænsninger og krav" for ydeevnespecifikationer.
- 7.2 MATERIALER:** Materialespecifikationerne for Rebel SRL'en er som følger:

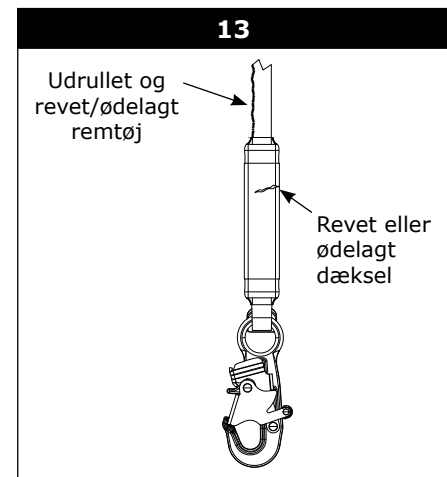
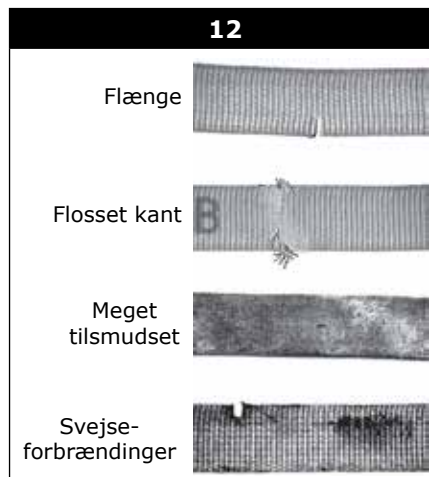
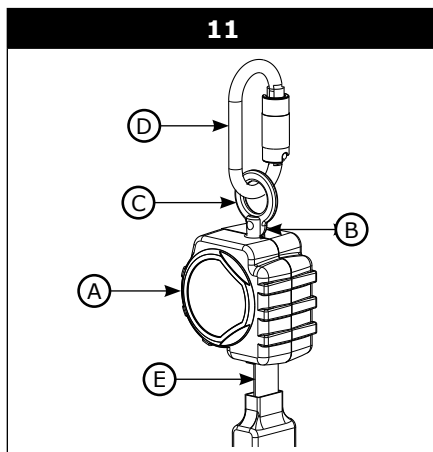
<b>Huset:</b>	Nylon, UV-resistent	<b>Motorfjeder:</b>	Rustfrit stål		
<b>Tromle:</b>	Nylon, type 6/6	<b>Drejeme kanisme:</b>	Galvaniseret stål		
<b>Fastgøringsanordninger:</b>	Galvaniserede skruer, nitter i rustfrit stål	<b>Livline:</b>	Polyester remtøj		
<b>Låsehager:</b>	Rustfrit stål	<b>Belastningsindikator</b>	Dæksel: PVC-rør Remtøj: Polyester		
<b>Hovedaksel:</b>	Rustfrit stål				
<b>Endekonnektorer:</b> (Se Figur 1)	Ledåbning                      Ledstyrke				
	C		Stålkarabinhage	3/4 in (19 mm)	3.600 lbf (16 kN)
	D		Stålsnaphage	3/4 in (19 mm)	225 lbf (1 kN)
	E		Stål Rebarhage	2 1/4 in (57 mm)	3.600 lbf (16 kN)
F		Stålsnaphage	3/4 in (19 mm)	3,600 lbf (16 kN)	

**7.3 ETIKETTERING:** Figur 10 viser mærkningen på Rebel SRL-etikettering. Alle mærkater skal være stede til og læselige.

<b>1</b>	Foretag visuel kontrol af enhed. Læs anvisningerne.
<b>2</b>	Efterse, at SRL'en låser korrekt. Maks. én bruger.
<b>3</b>	Korrekt tilslutning af SRL til faldsele.
<b>4</b>	Kan forbindes til et forankringspunkt over eller i niveau med D-ringen på ryggen. 310 lbs (140 kg) maksimum.
<b>5</b>	Temperaturmæssigt anvendelsesområde -40 °C + 60 °C.
<b>6</b>	Maks. kapacitet 140 kg.
<b>7</b>	Sørg for, at livlinen altid kan rulle sig op i SRL'en igen på en kontrolleret måde.
<b>8</b>	Undlad at reparere.
<b>9</b>	Opbevares inden døre.
<b>10</b>	Anbring ikke SRL-huset på en kant under brug.
<b>11</b>	Dette mærkat må ikke fjernes.

**Tabel 2 – Inspektionstjekliste**

Komponent:	Inspektion:	Bestået	Ikke bestået
SRL (Figur 11)	Efterse udstyret for løse fastgørelseselementer og bøjede eller beskadigede dele.	<input type="checkbox"/>	<input type="checkbox"/>
	Efterse huset (A) for forvriddning, revner eller anden beskadigelse.	<input type="checkbox"/>	<input type="checkbox"/>
	Efterse Swivel (B) og Swivel Eye (C) og karabinhage (D) for forvrængning, revner eller andre skader. Drejetappen skal fastgøres forsvarligt til SRL'en, men den bør kunne drejes frit. Swivel Eye eller det integrerede stik skal dreje frit i drejetappen.	<input type="checkbox"/>	<input type="checkbox"/>
	Remtøjslivlinen (E) skal kunne trækkes ud og rulles helt op uden hindring eller uden, at linen bliver slap.	<input type="checkbox"/>	<input type="checkbox"/>
	Sørg for at SRL'en låser, når der pludseligt trækkes hårdt i livlinen. Låsningen skal være fast uden slip.	<input type="checkbox"/>	<input type="checkbox"/>
	Alle mærkater skal være til stede og helt læselige (se Figur 10).	<input type="checkbox"/>	<input type="checkbox"/>
	Efterse hele SRL for tegn på korrosion.	<input type="checkbox"/>	<input type="checkbox"/>
Remtøjslivline (Figur 12)	Efterse livlinen af remtøj for koncentreret slid, trævlede strenge, knækkede tråde, forbrændinger, snit og abrasion. Livlinen skal være fri for knuder i hele dens længde. Efterse for kraftig tilsmudsning, ansamlinger af maling og rustpletter. Efterse for kemikalie- eller varmeskader i form af brune, misfarvede eller skrøbelige områder. Efterse livlinen for skade fra ultraviolet lys i form af misfarvning og tilstedeværelse af splinter og fliser på livlinens overflade.	<input type="checkbox"/>	<input type="checkbox"/>
Belastningsindikator (Figur 13)	Efterse belastningsindikatoren for at bestemme, om den er blevet aktiveret. Der må ikke være tegn på forlængelse, og afdækningen skal være sikker og uden revner eller andre skader.	<input type="checkbox"/>	<input type="checkbox"/>
Endekonnektorer (Figur 1)	Figur 1 angiver endekonnektor, der kan være inkluderet i din Rebel SRL model. Efterse alle snapkroge, karabinhager, sikkerhedskroge, osv. for tegn på skade, korrosion og korrekt funktion. Hvor de findes: Drejemekanismer skal kunne rotere frit, og karabinhager og led skal kunne åbnes, lukkes, låses og låses op på korrekt vis.	<input type="checkbox"/>	<input type="checkbox"/>





**WARNHINWEIS:** Dieses Produkt ist Teil eines persönlichen Absturzsicherungs-, Arbeitspositionierungs- oder Rettungssystems. Der Benutzer muss die Anweisungen des Herstellers für jede Komponente des Systems befolgen. Diese Anweisungen müssen dem Benutzer dieser Ausrüstung zur Verfügung gestellt werden. Der Benutzer muss diese Anweisungen, bevor er diese Ausrüstung verwendet, lesen und beachten. Die Anweisungen des Herstellers zum ordnungsgemäßen Gebrauch und zur richtigen Wartung dieser Ausrüstung müssen eingehalten werden. Veränderungen oder unsachgemäßer Gebrauch dieses Produkts oder die Nichtbefolgung der Anweisungen können zu schweren Verletzungen oder zum Tod führen.

**WICHTIG:** Wenn Sie Fragen zum Gebrauch, zur Pflege oder Tauglichkeit dieser Ausrüstung für Ihren Anwendungsbereich haben, kontaktieren Sie bitte Capital Safety.

**WICHTIG:** Bevor Sie die Ausrüstung verwenden, übertragen Sie die Informationen zur Produktidentifikation vom ID-Etikett in das Prüf- und Wartungsprotokoll dieses Handbuchs.

## GLOSSARVERWEISE

Die nummerierten Glossarverweise auf dem Umschlag dieser Anweisung beziehen sich auf folgende Elemente:

- |                                       |  |
|---------------------------------------|--|
| ① Benutzeranleitung.                  | ④ Normen.  |
| ② Rebel™ Höhensicherungsgeräte (HSG). | ⑤ Nummer des Instituts, das den CE-Test durchgeführt hat.                                    |
| ③ Modellnummern: (Siehe Abbildung 1). | ⑥ Nummer des Instituts zur Überprüfung der Herstellung dieser persönlichen Schutzausrüstung. |

## BESCHREIBUNG:

Rebel HSG sind 6 Fuß (2,0 m) lange Höhensicherungsgeräte (HSG), die mit einer In-Line Beanspruchungsanzeige, die in ein Gehäuse aus thermoplastischem Kunststoff eingezogen wird, ausgestattet sind. Rebel HSG gibt es in verschiedenen Modellausführungen, mit denen die Befestigung an einem Verankerungspunkt sowie die einfache oder doppelte Befestigung an einem Ganzkörper-Auffanggurt oder ähnlicher Ausrüstung möglich ist (siehe Abbildung 1). Das Rebel HSG blockiert bei einem Fall automatisch, um den Absturz aufzufangen. Bei normaler Bewegung des verbundenen Benutzers rollt die Rettungsleine ein und aus.

Abbildung 2 zeigt die Hauptkomponenten der Rebel HSG:

<b>A</b> Drehzapfen	<b>B</b> Schwenkbare Öse	<b>C</b> Karabiner (optional)	<b>D</b> Gehäuse
<b>E</b> Gewebtes Sicherheitsseil	<b>F</b> Beanspruchungsanzeige	<b>G</b> Karabinerhaken	

## 1.0 ANWENDUNGEN

- 1.1 VERWENDUNGSZWECK:** Die Höhensicherungsgeräte (HSG) von Capital Safety dienen als Bestandteil einer persönlichen Schutzausrüstung gegen Absturz (PSAgA). Abbildung 1 veranschaulicht HSG, die in dieser Anleitung behandelt werden und die typischen Anwendungen. Sie können in den meisten Situationen eingesetzt werden, in denen die uneingeschränkte Beweglichkeit der Arbeiter und eine Absturzsicherung notwendig sind (z. B. Inspektionsarbeiten, Bau allgemein, Wartungsarbeiten, Ölproduktion, Arbeiten in beengten Räumen usw.).
- 1.2 NORMEN:** Ihr HSG entspricht der/den nationalen Norm(en), die auf der Vorderseite dieses Handbuchs angegeben sind.
- 1.3 SCHULUNG:** Die Ausrüstung muss von Personen, die in der richtigen Anwendung geschult sind, installiert und verwendet werden. Es obliegt der Verantwortung des Benutzers, mit diesen Anweisungen vertraut zu sein und in der richtigen Pflege und Handhabung dieser Ausrüstung geschult zu werden. Der Benutzer muss sich auch der Betriebseigenschaften, der Grenzen der Anwendbarkeit und der Konsequenzen eines unsachgemäßen Gebrauchs bewusst sein.

## 2.0 EINSCHRÄNKUNGEN UND VORAUSSETZUNGEN

Berücksichtigen Sie beim Installieren oder der Verwenden dieser Ausrüstung stets folgende Einschränkungen und Anforderungen:

- 2.1 KAPAZITÄT:** HSG sind für die Benutzung durch eine Einzelperson mit einem Gesamtgewicht (Person, Kleidung, Werkzeuge usw.) von nicht mehr als 310 lbs (140 kg) und mindestens 75 lbs (34 kg).  
Zu keinem Zeitpunkt darf mehr als eine Person an ein einzelnes HSG zur Absturzsicherung angebunden sein.
- 2.2 MAXIMALE BREMSKRAFT UND MAXIMALER BREMSWEG:** Für die in diesem Handbuch beschriebenen HSG gelten folgende Bremskraftwerte:

<b>Gewicht des Arbeiters</b>	<b>maximal 310 lbs (140 kg)</b>
<b>Durchschnittliche Bremskraft</b>	900 lbs (4,0 kN)
<b>Maximale Bremskraft</b>	1350 lbs 6,0 kN)

- 2.3 VERANKERUNG:** Die Verankerungsstruktur für das HSG muss eine Belastung von 2.700 lbs (12 kN) tragen können. Die Anschlageneinrichtungen müssen der EN795 entsprechen.

**WARNHINWEIS:** Der Anschlagpunkt muss sich auf gleicher Höhe oder oberhalb der Kante befinden, von der aus ein potenzieller Absturz erfolgen kann. Die Nichteinhaltung der Warnung kann zu Fehlfunktionen, schweren Verletzungen oder zum Tod führen.

- 2.4 RETTUNGSPLAN:** Wenn Sie diese Ausrüstung verwenden, muss der Arbeitgeber einen Rettungsplan besitzen und die Mittel zu dessen Durchführung müssen zur Verfügung stehen. Außerdem muss der Plan den Benutzern, den berechtigten Personen und den Rettungskräften bekannt sein.
- 2.5 INSPEKTIONSHÄUFIGKEIT:** HSG müssen von einer autorisierten Fachkraft<sup>1</sup> oder Rettungskraft<sup>2</sup>) vor jedem Einsatz inspiziert werden. Zusätzlich sollen Inspektionen durch einen Sachkundigen<sup>3</sup>, die nicht der Benutzer ist, und durch eine von einem Werk autorisierte Untersuchungsstelle durchgeführt werden. Der Sachkundige sollte nach dem Inspektionsplan (Tabelle 1) geeignete Inspektionsintervalle bestimmen. Die Inspektionpunkte sind im „Inspektionsprotokoll“ (Tabelle 2) aufgeführt. Die Ergebnisse der Überprüfung durch den Sachkundigen werden in das „Inspektions- und Wartungsprotokoll“ hinten in diesem Handbuch eingetragen.

**Tabelle 1 - Überprüfungsplan**

Art des Einsatzes	Anwendungsbeispiele	Einsatzbedingungen	Inspektionshäufigkeit		
			Sachkundiger	Vom Werk autorisierte Untersuchungsstelle	Benutzer
Unregelmäßig bis leicht	Rettung und beengte Räume, Fabrikwartung	Gute Lagerungsbedingungen, Einsatz in Innenräumen oder unregelmäßig im Freien, Raumtemperatur, saubere Umgebungen	Jährlich	Mindestens alle 2 - 5 Jahre, jedoch nicht mehr als die vom Hersteller geforderten Intervalle.	Vor jeder Verwendung
Moderat bis schwer	Transportwesen, Bau von Wohnhäusern, Versorgungsindustrie, Warenhaus	Ausreichend gute Lagerungsbedingungen, Einsatz in Innenräumen und ausgiebig im Freien, alle Temperaturen, saubere oder staubige Umgebungen	Halbjährlich bis jährlich	Mindestens alle 1 - 2 Jahre, jedoch nicht mehr als die vom Hersteller geforderten Intervalle.	Vor jeder Verwendung
Stark bis kontinuierlich	Kommerzielle Bauindustrie, Öl und Gas, Bergbau	Raue Lagerbedingungen, verlängerter oder kontinuierlicher Einsatz im Freien, alle Temperaturen, schmutzige Umgebung	Viertel- bis halbjährlich	Mindestens jährlich, jedoch nicht mehr als die vom Hersteller geforderten Intervalle	Vor jeder Verwendung

- 2.6 ARRETIERGECHWINDIGKEIT:** Eine ungehinderte Fallstrecke sollte stets gewährleistet sein. Bei der Arbeit auf beschränktem oder beengtem Raum kann der Körper eventuell keine ausreichende Geschwindigkeit erreichen, um im Falle eines Absturzes eine Arretierung des HSG auszulösen. Bei Arbeiten auf beweglichem Untergrund wie Sand oder Korn wird unter Umständen keine ausreichend hohe Fallgeschwindigkeit erreicht, um eine Arretierung des HSG herbeizuführen. Eine Freifallstrecke ist erforderlich, damit ein definitives Arretieren des HSG gewährleistet ist.
- 2.7 NORMALER BETRIEB:** Im normalen Betrieb kann das Rettungsseil beim Ausrollen verzögerungsfrei und beim Einrollen ohne Durchhängen vollständig ausgezogen und eingerollt werden, sofern der Arbeiter sich mit normaler Geschwindigkeit bewegt. Im Falle eines Absturzes wird ein geschwindigkeitsmessendes Bremssystem aktiviert, das den Absturz stoppt und einen großen Teil der entstehenden Fallenergie dämpft. Wenn ein Absturz aufgefangen wird, während das Sicherungsseil größtenteils ausgerollt war, gewährleisten ein Reservesicherungsseil sowie die Beanspruchungsanzeige, dass durch die Absturzsicherung keine zu großen Belastungen auftreten. Wenn das HSG belastet wurde oder einen Sturz aufgefangen hat, nehmen Sie das HSG außer Betrieb, markieren Sie es als „UNBRAUCHBAR“ und entsorgen Sie es auf die empfohlene Weise (siehe „Abschnitt 5.4 – Entsorgung“). Während normaler Arbeitsvorgänge müssen plötzliche oder schnelle Bewegungen vermieden werden, da dadurch eine Arretierung des HSG ausgelöst werden kann.
- 2.8 FREIER FALL:** Wenn die Verankerung von oben erfolgt, begrenzt das HSG den freien Fall auf maximal 2 ft (0,6 m). Verankern Sie das HSG zur Vermeidung großer Fallstrecken direkt über dem Arbeiter. Das Arbeiten in Bereichen, in denen sich Ihr Sicherungsseil mit dem eines anderen Arbeiters kreuzen oder verheddern könnte, muss vermieden werden. Vermeiden Sie das Arbeiten in Bereichen, in denen Objekte fallen und die Sicherungsleine treffen können, da dadurch das Gleichgewicht gestört oder das Sicherungsseil beschädigt werden kann. Das Sicherungsseil darf nicht unter die Arme oder zwischen die Beine rutschen. Das Sicherungsseil darf keinesfalls abgeklemmt, verknottet oder an der Rückziehung oder Straffung gehindert werden. Ein Durchhängen muss vermieden werden. **Ein HSG darf nicht ohne vorherige Rücksprache mit Capital Safety durch Anbinden eines Verbindungsmittels oder einer ähnlichen Komponente verlängert werden.**
- 2.9 FALLRAUM:** Abbildung 3A veranschaulicht den Fallraum in Fuß (Meter), d. h. den Abstand zwischen der Arbeitsebene und dem nächsten Hindernis, der für einen Benutzer mit einem Gesamtgewicht bis zu 310 lbs (140 kg) erforderlich ist.  $X =$  Freiraum zwischen Arbeitsebene und nächstem Hindernis. Stellen Sie sicher, dass in der Fallstrecke ein ausreichender Freiraum vorhanden ist, damit Sie beim Absturz nicht auf ein Objekt treffen. Binden Sie nicht unterhalb des D-Rings am Gurtgeschirr ab. Wenn der Arbeiter an einer Stelle tätig ist, die sich nicht direkt unterhalb des HSG-Verankerungspunkts befindet, vergrößern sich der erforderliche seitliche Abstand sowie der Fallraum.
- 2.10 PENDELSTURZ:** Zu Pendelstürzen kommt es, wenn sich der Verankerungspunkt nicht direkt über dem Punkt befindet, an dem sich der Fall ereignet (siehe Abbildung 3B). Beim Aufprall auf ein Objekt durch einen Pendelsturz kann es zu schweren Verletzungen kommen. Beim Pendelsturz ist die gesamte vertikale Fallstrecke größer, als wenn der Gestürzte direkt unterhalb des Verankerungspunktes vertikal abgestürzt wäre, wodurch der Fallraum, der zum sicheren Abfangen des Sturzes erforderlich ist, vergrößert wird. Verwenden Sie Abbildung 3A, um den in Ihrer Situation erforderlichen Fallraum zu ermitteln.  $X =$  Freiraum zwischen Arbeitsebene und nächstem Hindernis. Minimieren Sie Pendelstürze, indem Sie so nahe wie möglich am Verankerungspunkt arbeiten. Lassen Sie niemals Pendelstürze zu, wenn es zu einer Verletzung kommen kann.

**1 Autorisierte Fachkraft:** Eine Person, die vom Arbeitgeber dazu bestimmt ist, Aufgaben an einem Ort auszuführen, an dem sie einer Absturzgefahr ausgesetzt ist.

**2 Rettungskraft:** Person oder Personen außer der verunfallten Person, die mithilfe technischer Rettungs- und Bergungsmittel eine Rettungs- bzw. Bergungsaktion vornehmen.

**3 Sachkundiger:** Eine vom Arbeitgeber bestimmte Person, die für die unmittelbare Beaufsichtigung, Implementierung und Überwachung des verwalteten Absturzsicherungsprogramms des Arbeitgebers verantwortlich ist. Diese Person kann durch Schulung und Wissen bestehende und potentielle Sturzgefahren identifizieren, bewerten und beheben und hat die Genehmigung des Arbeitgebers, sofortige Korrekturmaßnahmen hinsichtlich solcher Gefahren zu ergreifen.

- 2.11 GEFAHREN:** Die Verwendung dieser Ausrüstung in Bereichen mit Umweltgefahren kann zusätzliche Sicherheitsmaßnahmen erfordern, um die Verletzungsgefahr und Schäden an der Ausrüstung zu vermeiden. Zu den Gefahren zählen unter anderem: große Hitze, ätzende Chemikalien, korrosive Umgebungen, Hochspannungsleitungen, explosive oder giftige Gase, bewegliche Maschinen, scharfe Kanten oder Material, das herunterfallen und den Anwender oder das Absturzsicherungssystem treffen kann.
- 2.12 SCHARFE KANTEN:** Vermeiden Sie das Arbeiten an Orten, an denen das Sicherungsseil mit ungeschützten scharfen Kanten in Berührung kommen oder sich an solchen abreiben könnte. Wenn Sie an scharfen Kanten arbeiten müssen, muss eine Schutzabdeckung verwendet werden.
- 2.13 KÖRPERUNTERSTÜTZUNG:** Für das HSG muss ein Ganzkörper-Auffanggurt verwendet werden. Der Verbindungspunkt des Gurtes muss sich oberhalb des Körperschwerpunktes des Benutzers befinden. Ein Haltegurt ist für die Verwendung mit dem HSG nicht zulässig. Falls es bei der Verwendung eines Haltegurtes zu einem Absturz kommt, kann eine unsachgemäße Körperunterstützung zu einem unbeabsichtigten Öffnen des Gurtes und eventuellem Ersticken führen.
- 2.14 KOMPATIBILITÄT DER KOMPONENTEN:** Sofern nicht anders angegeben, ist die Ausrüstung von Capital Safety nur zur Verwendung mit den von Capital Safety freigegebenen Komponenten und Teilsystemen ausgelegt. Ein Austausch durch nicht genehmigte Komponenten oder Teilsysteme kann die Kompatibilität der Ausrüstung aufs Spiel setzen und die Sicherheit und Zuverlässigkeit des kompletten Systems gefährden.

**WICHTIG:** Lesen und befolgen Sie die Herstelleranweisungen für die damit verbundene Ausrüstung sowie Teilsysteme, die in Ihrem persönlichen Absturzsicherungssystem zum Einsatz kommen.

- 2.15 KOMPATIBILITÄT DER VERBINDUNGSMITTEL:** Verbindungsmittel sind mit Verbindungselementen kompatibel, wenn sie in Größe und Form so konzipiert sind, dass sie zusammenarbeiten, ohne dass sich ihre Verschlussmechanismen versehentlich öffnen, unabhängig davon, wie sie ausgerichtet sind. Nehmen Sie mit Capital Safety Kontakt auf, wenn Sie Fragen zur Kompatibilität haben.

Die Verbinder, mit denen das HSG befestigt wird, müssen der EN362 entsprechen. Die Verbindungsmittel müssen mit der Verankerung oder anderen Systemkomponenten kompatibel sein. Verwenden Sie keine Ausrüstung, die nicht kompatibel ist. Nicht kompatible Anschlüsse können sich versehentlich lösen (siehe Abbildung 4). Die Verbindungsmittel müssen in Größe, Form und Belastbarkeit kompatibel sein. Es sind selbstschließende Karabinerhaken erforderlich. Wenn das Verbindungselement, an das der Karabiner angeschlossen wird, zu klein ist oder eine unregelmäßige Form aufweist, kann es dazu kommen, dass das Verbindungselement Druck auf den Verschluss des Karabiners (A) ausübt. Dieser Druck kann dazu führen, dass sich der Verschluss öffnet (B), sodass sich der Karabiner vom Verbinderpunkt (C) löst.

- 2.16 HERSTELLEN VON VERBINDUNGEN:** Verwenden Sie mit dieser Ausrüstung nur selbstschließende Karabinerhaken und Karabiner. Stellen Sie sicher, dass alle Verbindungen bezüglich Größe, Form und Stärke kompatibel sind. Verwenden Sie keine Ausrüstung, die nicht kompatibel ist. Vergewissern Sie sich, dass alle Verbindungsmittel vollständig geschlossen und verriegelt sind.

Verbindungsmittel (Karabinerhaken und Karabiner) von Capital Safety sind nur für die in den jeweiligen Benutzeranweisungen angegebene Verwendung konzipiert. Abbildung 5 zeigt Beispiele für falsche Verbindungen. Karabinerhaken und Karabiner dürfen wie folgt nicht befestigt werden:

- A. An einer hinteren Auffangöse, an der ein anderes Verbindungselement befestigt ist.
- B. Auf eine Weise, die den Verschluss belastet.
- C. An einem falschen Rasthaken, wenn Teile des Karabinerhakens oder Karabiners vorstehen, die sich in der Verankerung verfangen können, und ohne dass visuell geprüft werden kann, ob der Verbinder voll in der Verankerung eingerastet ist.
- D. Aneinander.
- E. Direkt an einem Gurtband, Sicherungsseil oder einer Tie Back Verbindungsmittel (außer es ist laut Anweisungen des Herstellers ausdrücklich erlaubt, die Verbindungselemente auf diese Weise anzuschließen).
- F. An einem Objekt, das eine Größe und Form aufweist, die verhindern, dass der Karabinerhaken oder Karabiner verschlossen und verriegelt werden kann, oder dazu führen, dass sich der Haken löst.
- G. Auf eine Weise, in der das Verbindungselement sich unter Last nicht richtig ausrichten kann.



## 3.0 ANBRINGUNG

- 3.1 PLANUNG:** Planen Sie den Einsatz des Absturzsicherungssystems, bevor Sie mit der Arbeit beginnen. Berücksichtigen Sie alle Faktoren, die Ihre Sicherheit vor, während und nach einem Absturz beeinträchtigen könnten. Beachten Sie alle in Abschnitt 2 beschriebenen Anforderungen und Einschränkungen.

**WICHTIG:** In den meisten Anwendungsbereichen kann das Rebel HSG mit einer Verankerung oder am Rückenteil des Auffanggurts befestigt werden. Beide Ausrichtungen sind erlaubt.

### 3.2 VERANKERUNG:

In Abbildung 6 werden typische HSG-Verbindungen dargestellt:

<b>A</b>	Verankerung	<b>B</b>	Verbindungselement	<b>C</b>	Anbindungsadapter
----------	-------------	----------	--------------------	----------	-------------------

Wählen Sie eine Verankerungsstelle mit einem Minimum an Freifall- und Pendelsturzgefahren (siehe Abschnitt 2). Wählen Sie einen starren Verankerungspunkt, der den in Abschnitt 2.3 beschriebenen statischen Lasten standhält. Rebel HSG müssen immer über oder an der hinteren Auffangöse am Rücken des Benutzers verankert werden.

**WICHTIG:** Es wird empfohlen, dass diese Ausrüstung unter der Aufsicht einer qualifizierten Person installiert wird.

### 3.3 BEFESTIGUNGSMÖGLICHKEITEN DES GURTGESCHIRRS:

**Einzelnes HSG Ganzkörper-Auffanggurt:** Das Rebel HSG kann mit der hinteren Auffangöse mittels einem Karabiner oder Karabinerhaken verbunden werden. (Siehe Abbildung 8, Verbindungsbeispiele 1 und 2). In einigen Rebel Ausführungen sind Karabiner inbegriffen. Alle haben einen Karabinerhaken.

Verbinden Sie die Drehöse (Rebel Komponente aus Abbildung 2) an der hinteren Auffangöse am Gurt mit dem Karabiner, der einigen Rebel-Modellen beiliegt (oder verwenden Sie eine entsprechend gleichwertige Verbindung), bzw. verwenden Sie den mitgelieferten Karabinerhaken für die Verbindung an der hinteren Auffangöse. Das entgegengesetzte Ende des Rebels muss an einem Verankerungspunkt (siehe Abschnitt 2.3) mit dem mitgelieferten Karabiner (oder einer entsprechend gleichwertigen Verbindungselement), oder dem mitgelieferten Karabinerhaken verbunden werden.

**Doppelte HSG Gurtgeschirr-Befestigung mit einem Karabiner:** Einige Rebel HSG Modelle enthalten einen Karabiner (siehe Abbildung 2) der zwei Rebel HSG an einen Ganzkörper-Auffanggurt befestigen kann, wenn Kletteranwendungen ein 100%-iges Anbinden erforderlich machen. Der Karabiner befestigt zwei Rebel SRLs nebeneinander, gleich unter der hinteren Auffangöse. (Siehe Abbildung 8, Verbindungsbeispiele 3)

Für die Befestigung von zwei Rebel SRLs an einem Ganzkörper-Auffanggurt mit einem Karabiner: Siehe Abbildung 7. A - Gurtschlaufe; B - hintere Auffangöse; C - Drehöse, HSG)

**Schritt 1: Lösen des Webblings am Auffanggurt:** Ziehen Sie an den Gurtschlaufen (A) am der hinteren Auffangöse (B), bis sie lang genug sind, damit der Karabiner zwischen Gurtschlaufe und der hinteren Auffangöse-Platte durchgezogen werden kann.

**Schritt 2: Öffnen des dreifach wirkenden Karabiners:** Heben Sie den Verschlussmechanismus des Karabiners an (1) und drehen Sie ihn um 45 Grad (2), um den Schlitz im Mechanismus zum Karabinerrahmen auszurichten. Drücken Sie den Mechanismus (3) nach innen, um den Karabiner zu öffnen.

**Schritt 3: Befestigung des ersten Rebel HSG am Karabiner:** Stecken Sie den Karabiner durch die Schwenköse (C) auf dem HSG.

**Schritt 4: Ziehen Sie den Karabiner durch die Gurtbänder:** Bei offenem Verschlussmechanismus führen Sie den Karabiner hinter die Gurtschlaufen. Drehen Sie den Karabiner hinter die Gurtschlaufen bis der Karabiner die Gurtschlaufen umschließt und das erste Rebel HSG rechts des Karabiners liegt.

**Schritt 5: Befestigen des zweiten Rebel HSG am Karabiner:** Stecken Sie den Karabiner durch die Schwenköse auf dem HSG. Legen Sie das zweite HSG links neben dem Karabiner Verschlussmechanismus.

**Schritt 6: Schließen Sie den Karabinermechanismus bis er blockiert.**

**Überprüfen Sie die Befestigung an beiden HSGs:** Wenn alles richtig befestigt wurde, sollte der Karabiner durch die Gurtschlaufen laufen (A) und die HSG Schwenkösen beidseitig des Karabinermechanismus sollten gesichert sein. Ziehen Sie bei geschlossener Gurtzeugkopplung die Gurtschlaufen (A) zurück durch den hinteren Auffangöse und die hintere Auffangöse-Platte, um den Gurt zu straffen und die Gurtzeugkopplung zwischen Gurtschlaufen und hinteren Auffangöse-Platte zu sichern.

## 4.0 EINSATZ

**WARNHINWEIS:** Sie dürfen diese Ausrüstung nicht verändern oder vorsätzlich unsachgemäß gebrauchen. Konsultieren Sie Capital Safety, wenn Sie diese Ausrüstung in Kombination mit anderen Teilen oder Untersystemen verwenden als denen, die in diesem Handbuch beschrieben sind. Manche Kombinationen mit Teilsystemen und Komponenten können die Funktion dieser Ausrüstung beeinträchtigen. Gehen Sie vorsichtig vor, wenn Sie die Ausrüstung in der Nähe von beweglichen Maschinen, elektrischen Gefahrenherden, chemischen Gefahrenherden oder scharfen Kanten benutzen oder Objekte von oben auf die Sicherungsleine fallen können. Schlingen Sie das Rettungsseil um keine kleinen Bauteile. Die Nichteinhaltung der Warnung kann zu Fehlfunktionen, schweren Verletzungen oder zum Tod führen.

**WARNHINWEIS:** Konsultieren Sie Ihren Arzt, falls Zweifel daran bestehen, dass Sie den Aufprall einer Absturzsicherung sicher überstehen. Alter und Fitness können sich stark darauf auswirken, wie ein Arbeiter Abstürze aushält. Schwangere oder Minderjährige dürfen Höhensicherheitsgeräte nicht benutzen.

**4.1 VOR JEDEM EINSATZ:** Überprüfen Sie die Absturzsicherungsausrüstung vor jedem Einsatz sorgfältig, um sicherzustellen, dass sie sich in einem einwandfreien Arbeitszustand befindet. Prüfen Sie sie auf abgenutzte oder beschädigte Teile. Stellen Sie sicher, dass alle Schrauben vorhanden und gesichert sind. Vergewissern Sie sich, dass sich das Sicherungsseil richtig aufrollt, indem Sie es herausziehen und langsam aufrollen lassen. Wenn der Einzug verzögert einsetzt, nehmen Sie das HSG außer Betrieb, markieren Sie es als „UNBRAUCHBAR“, und entsorgen Sie es auf die empfohlene Weise (siehe „Abschnitt 5.4 - Entsorgung“). Kontrollieren Sie das Sicherungsseil auf Einschnitte, Ausfransungen, Verbrennungen, Quetschungen und Korrosion. Prüfen Sie die Arretierfunktion durch festes Ziehen am Seil. Detaillierte Hinweise zur Inspektion finden Sie in Abschnitt 5.

**4.2 NACH EINEM ABSTURZ:** Alle Ausrüstungsgegenstände, die den Kräften eines aufgefangenen Absturzes ausgesetzt waren oder Beschädigungen aufweisen, die den Auswirkungen von in Abschnitt 5 beschriebenen Absturzsicherungskräften entsprechen, müssen unverzüglich außer Betrieb genommen, als „UNBRAUCHBAR“ markiert und auf die empfohlene Weise entsorgt werden (siehe „Abschnitt 5.4 – Entsorgung“).

**4.3 KÖRPERUNTERSTÜTZUNG:** Beim Einsatz von Rebel HSG muss ein Ganzkörper-Auffanggurt getragen werden. Verbinden Sie ihn für einen allgemeinen Einsatz zur Absturzsicherung mit der hinteren Auffangöse (am Rücken). Sollten Sie die Sicherung zum Emporsteigen einer Leiter verwenden, empfiehlt sich möglicherweise die Befestigung im vorderen Bereich des Gurtes und oberhalb des Körperschwerpunktes des Benutzers. Dies ist akzeptabel, wenn die mögliche Freifallstrecke bei weniger als 61 cm liegt und ein sicherer Halt schnell wiederhergestellt werden kann.

**WICHTIG:** Verwenden Sie für Freifallanwendungen keinen Haltegurt. Ausführliche Richtlinien sind im OSHA-Standard 1926.502 zu finden.

**4.4 HERSTELLEN VON VERBINDUNGEN:** Abbildung 8 zeigt die Gurt- und Verankerungsverbindungen für Rebel HSG-Absturzsicherungssysteme. Sollten Sie für die Verbindung einen Haken verwenden, vergewissern Sie sich, dass ein Herausrutschen nicht möglich ist (siehe Abbildung 4). Verwenden Sie keine Haken oder Verbindungsmittel, die sich nicht vollständig über dem angehängten Objekt schließen. Verwenden Sie keine nicht verriegelnden Schnapp- oder Karabinerhaken. Die Verankerungspunkte müssen die Stärkeanforderungen erfüllen, die in Abschnitt 2.3 angegeben sind. Befolgen Sie die Herstelleranweisungen, die den einzelnen Systemkomponenten beiliegen.

**4.5 EINSATZ:** Überprüfen Sie das HSG vor dem Einsatz wie in Abschnitt 5.0 beschrieben. Abbildung 8 zeigt Systemverbindungen für typische Rebel HSG-Anwendungsbereiche. Verbinden Sie das Rebel HSG mit einer geeigneten Verankerung oder befestigen Sie das HSG wie in den Anweisungen in Abschnitt 3 beschrieben an einem Ganzkörper-Auffanggurt. Wenn das HSG an einer Verankerung befestigt wurde, verbinden Sie den Haken oder Karabiner an der Beanspruchungsanzeige mit der hinteren Auffangöse des Auffanggurts. Wenn das HSG am Auffanggurt befestigt wurde, sichern Sie den Haken oder Karabiner an einer geeigneten Verankerung. Prüfen Sie, ob alle Verbindungsmittel in Größe, Form und Stärke miteinander kompatibel sind. Vergewissern Sie sich, dass die Haken geschlossen und verriegelt sind. Sobald der Arbeiter eingeseilt ist, kann er sich innerhalb des empfohlenen Arbeitsbereichs mit der normalen Geschwindigkeit bewegen. Bei einem Absturz arretiert das HSG und fängt den Sturz auf. Setzen Sie das HSG nach einer Rettung nicht mehr ein. Wenn Sie mit einem HSG arbeiten, lassen Sie das Sicherungsseil stets kontrolliert in das Gerät zurückrollen.

**WARNHINWEIS:** Das Sicherungsseil nicht binden oder knoten. Das Sicherungsseil darf nicht mit scharfen oder scheuernden Oberflächen in Kontakt kommen. Kontrollieren Sie das Sicherungsseil häufig auf Einschnitte, Durchscheuern, Brandstellen oder Zeichen chemischer Schäden. Schmutzablagerungen, Verunreinigungen und Wasser können die dielektrischen Eigenschaften des Sicherungsseils vermindern. Vorsicht in der Nähe von Stromleitungen.

**4.6 100%-IGE VERANKERUNG MIT DER DOPPEL-HSG-KOPPLUNG:** Wenn zwei Rebel SRLs nebeneinander auf der Rückseite eines Auffanggurts befestigt werden, kann das HSG-Absturzsicherungssystem zur stufenlosen Fallsicherung bei Auf- und Abstieg und seitlichen Bewegungen verwendet werden. Wenn der Verbindungsseilstrang eines HSGs an einem Verankerungspunkt befestigt ist, kann der Arbeiter an einen anderen Ort umsetzen, den zweiten, nicht verwendeten Verbindungsseilstrang des anderen HSGs an einem weiteren Verankerungspunkt anbringen und den ursprünglichen Verbindungsseilstrang lösen. (siehe Abbildung 9A) Diese Vorgehensweise wird wiederholt, bis der gewünschte Ort erreicht wird. Bei der 100 %-Sicherung mit zweisträngigen HSG ist Folgendes zu beachten:

- Verbinden beide SRL Lifelines nie mit gleichen Verankerungspunkte. (Siehe 9B)
- Sie können jedes Rettungsseil an einem separaten Verankerungspunkt befestigen. (siehe Abbildung 9C)
- Verbinden Sie niemals mehr als eine Person zur selben Zeit mit dem zweisträngigen System. (siehe Abbildung 9D)
- Die Sicherungsseile dürfen sich nicht verheddern oder miteinander verdreht werden, um das Einziehen nicht zu verhindern.
- Sicherungsseile dürfen bei der Verwendung nicht unter Armen oder zwischen den Beinen durchgeführt werden.

**4.7 HORIZONTAL SYSTEME:** Bei Anwendungen, in denen ein Rebel HSG zusammen mit einem horizontalen System (d. h. horizontales Rettungsseil, Läufer für horizontale I-Träger) eingesetzt wird, müssen das HSG und die horizontalen Systemkomponenten kompatibel sein. Horizontale Absturzschutzsysteme müssen unter der Aufsicht eines qualifizierten Sachverständigen ausgelegt und installiert werden. Weitere Details erhalten Sie vom Hersteller des horizontalen Systems.

## 5.0 INSPEKTION

**5.1 INSPEKTIONS-HÄUFIGKEIT:** Das Rebel HSG muss entsprechend den im „Abschnitt 2.5 – Untersuchungshäufigkeit“ genannten Intervallen überprüft werden. Die Inspektionspunkte sind im „Inspektionsprotokoll“ (Tabelle 2) beschrieben.

**5.2 GEFAHREN ODER MÄNGELZUSTÄNDE:** Wenn bei der Überprüfung eine Gefahr oder ein Mängelzustand festgestellt wird, nehmen Sie das HSG außer Betrieb, markieren Sie es als „UNBRAUCHBAR“ und entsorgen Sie es auf die empfohlene Weise (siehe „Abschnitt 5.4 – Entsorgung“).

**5.3 PRODUKT-LEBENSZYKLUS:** Die Haltbarkeit des Rebel HSGs wird von den Arbeitsbedingungen und der Wartung bestimmt. Solange das HSG den Prüfkriterien genügt, kann es in Betrieb bleiben.

**5.4 ENTSORGUNG:** Entsorgen Sie das Rebel HSG, wenn es einer Fallkraft ausgesetzt war oder bei der Überprüfung ein gefährlicher Zustand oder Defekt festgestellt wurde. Schneiden Sie die Beanspruchungsanzeige des Gurtbands vor der Entsorgung des HSGs durch, oder machen Sie die Einheit auf andere Weise unbrauchbar, um so eine unsachgemäße Wiederverwendung zu vermeiden.

## 6.0 WARTUNG, REPARATUR UND LAGERUNG

**6.1 REINIGUNG:** Die Reinigung des Rebel HSGs sollte wie folgt durchgeführt werden:

- Reinigen Sie das Äußere des HSGs regelmäßig mit Wasser und einer milden Seifenlösung. Positionieren Sie das HSG so, dass überschüssiges Wasser abfließen kann. Reinigen Sie die Aufkleber bei Bedarf.
- Reinigen Sie das Sicherungsseil mit Wasser und einer milden Seifenlösung. Ausspülen und gründlich an der Luft trocknen lassen. Trocknen Sie das Gerät nicht durch Erwärmen. Lassen Sie das Sicherungsseil vollständig trocknen, bevor Sie es wieder im Gehäuse aufrollen. Übermäßige Ablagerungen von Schmutz, Farbe usw. können verhindern, dass das Sicherungsseil vollständig ins Gehäuse eingezogen wird, mit der Gefahr eines möglichen freien Absturzes.

**WICHTIG:** Wenn das HSG mit Säure oder anderen ätzenden Chemikalien in Kontakt gerät, setzen Sie es außer Betrieb und waschen es mit Wasser und einer milden Seifenlösung ab. Überprüfen Sie das HSG anhand Tabelle 2, bevor Sie es wieder in Betrieb nehmen.

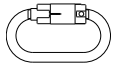

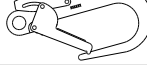

**6.2 SERVICE:** Rebel HSG können nicht repariert werden. Wenn das HSG einen Sturz aufgefangen hat oder wenn bei der Überprüfung eine Gefahr oder ein Mängelzustand festgestellt wird, nehmen Sie das HSG außer Betrieb, markieren Sie es als „UNBRAUCHBAR“ und entsorgen Sie es auf die empfohlene Weise (siehe „Abschnitt 5.4 – Entsorgung“).

**6.3 LAGERUNG:** Bewahren Sie das Rebel HSG an einem kühlen, trockenen, sauberen Ort auf, an dem es vor direkter Sonneneinstrahlung geschützt ist. Setzen Sie das Produkt keinen chemischen Dämpfen aus. Kontrollieren Sie das HSG nach jeder längeren Lagerung.

## 7.0 SPEZIFIKATIONEN

**7.1 LEISTUNG:** Ihr Rebel HSG wurde getestet und für die Leistungskriterien der Standards zertifiziert, die auf der Vorderseite dieses Handbuchs angegeben sind. Informationen zu den Leistungskriterien finden Sie in „Abschnitt 2.0 – Systembeschränkungen und Anforderungen“.

**7.2 MATERIALIEN:** Für das Rebel HSG-Material gelten folgende Spezifikationen:

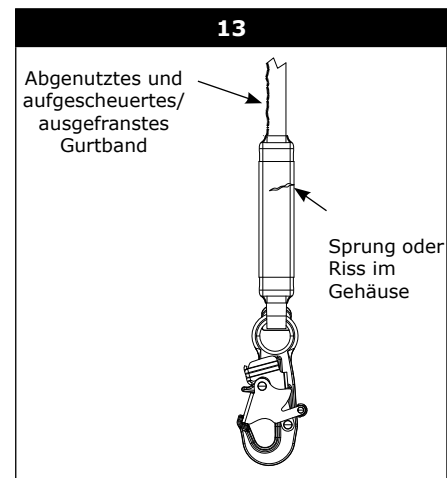
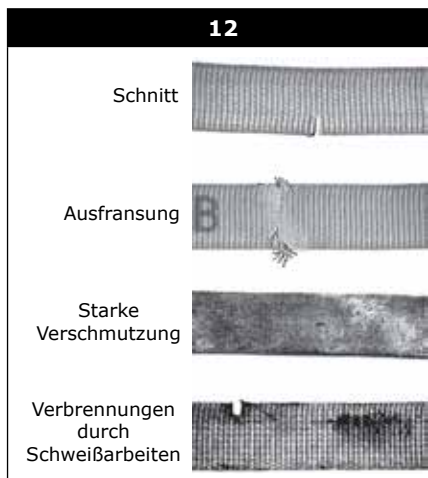
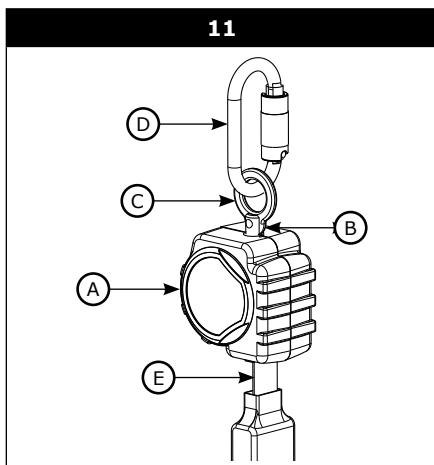
<b>Gehäuse:</b>	Nylon, UV-beständig	<b>Motorfeder:</b>	Edelstahl		
<b>Trommel:</b>	Nylon, Typ 6/6	<b>Schwenkring:</b>	Verzinkter Stahl		
<b>Befestigungen:</b>	Schrauben aus verzinktem Stahl, Nieten aus Edelstahl	<b>Sicherungsseil:</b>	Polyestergewebe		
<b>Verschlußklinken:</b>	Edelstahl	<b>Beanspruchungsanzeige</b>	Ummantelung: PVC Verschlauchung Gurt: Polyester		
<b>Hauptwelle:</b>	Edelstahl				
<b>Endverbinder:</b> (Siehe Abbildung 1)			Verschlussöffnung	Verschlusskraft	
	C		Stahl-Karabiner	3/4 in (19 mm)	3.600 lbf (16 kN)
	D		Stahlschnapphaken	3/4 in (19 mm)	225 lbf (1 kN)
	E		Baustahlhaken	2 1/4 in (57 mm)	3.600 lbf (16 kN)
	F		Stahlschnapphaken	3/4 in (19 mm)	3,600 lbf (16 kN)

**7.3 BESCHRIFTUNG:** Abbildung 10 zeigt die Beschriftung des Rebel HSGs. Alle Aufkleber müssen vorhanden und vollständig lesbar sein.

1	Sichtkontrolleinheit. Anleitung lesen.
2	Blockierfunktion des HSG kontrollieren. Maximal ein Benutzer.
3	Richtiger Anschluss des HSGs am Auffanggurt.
4	Sicherung an einem Verankerungspunkt auf oder über der Höhe der hinteren Auffangöse. 310 lbs (140 kg) maximal.
5	Temperaturbereich für die Benutzung -40 °C bis +60 °C.
6	Maximale Kapazität 140 kg.
7	Das Sicherungsseil immer kontrolliert in das HSG zurückrollen lassen.
8	Nicht reparieren.
9	Nicht im Freien aufbewahren.
10	Legen Sie das HSG-Gehäuse nicht auf einer Kante während der Nutzung ab.
11	Nicht das Etikett entfernen.

**Table 2 – Inspektionsprotokoll**

Komponente:	Prüfung:	Bestanden	Mangelhaft
HSG (Abbildung 11)	Kontrollieren Sie auf lockere Verbindungen und verbogene oder beschädigte Teile.	<input type="checkbox"/>	<input type="checkbox"/>
	Prüfen Sie das Gehäuse (A) auf Verformung, Risse oder andere Schäden.	<input type="checkbox"/>	<input type="checkbox"/>
	Prüfen Sie den Schwenkring (B), die schwenkbare Öse (C) und den Karabiner (D) auf Verformung, Risse oder sonstige Schäden. Die Schwenkvorrichtung muss sicher mit dem HSG verbunden sein, sich aber frei drehen können. Die schwenkbare Öse und das integrierte Verbindungselement müssen im Schwenkring völlig frei drehen.	<input type="checkbox"/>	<input type="checkbox"/>
	Das Sicherungsseil (E) muss ohne Verzögerung und Durchhängen vollständig aus- und eingezogen werden können.	<input type="checkbox"/>	<input type="checkbox"/>
	Stellen Sie sicher, dass das SRL blockiert, wenn das Sicherungsseil schnell ausgezogen wird. Das Sperren sollte unmittelbar und ohne Rutschen erfolgen.	<input type="checkbox"/>	<input type="checkbox"/>
	Alle Etiketten müssen vorhanden und vollständig lesbar sein (siehe Abbildung 10).	<input type="checkbox"/>	<input type="checkbox"/>
	Überprüfen Sie das gesamte HSG auf Korrosionserscheinungen.	<input type="checkbox"/>	<input type="checkbox"/>
Gewebtes Sicherungsseil (Abbildung 12)	Prüfen Sie das Material des Sicherungsseils auf massierte Abnutzung, ausgefranzte Stränge, gebrochene Fäden, Schnitte und Abschürfungen. Das Sicherungsseil darf auf ganzer Länge keine Knoten aufweisen. Kontrollieren Sie das Sicherungsseil auf übermäßige Verschmutzung, Farbflecken und Rostflecken. Kontrollieren Sie es auf Beschädigung durch Chemikalien oder Hitze, erkennbar an braunen, verfärbten oder brüchigen Stellen. Kontrollieren Sie auf Beschädigung durch UV-Strahlung, erkennbar an Verfärbung und der Präsenz von Splintern oder Spänen auf der Gewebeoberfläche.	<input type="checkbox"/>	<input type="checkbox"/>
Beanspruchungsanzeige (Abbildung 13)	Kontrollieren Sie die Lastanzeige, um festzustellen, ob sie aktiviert wurde. Es dürfen keine Zeichen für Dehnung zu sehen sein, und die Abdeckung muss fest sowie frei von Rissen oder anderen Beschädigungen sein.	<input type="checkbox"/>	<input type="checkbox"/>
Endverbinder (Abbildung 1)	Abbildung 1 zeigt die Endverbinder, die zu Ihrem Rebel HSG-Modell gehören. Kontrollieren Sie alle Karabinerhaken, Karabiner, Baustahlhaken sowie die anderen Teile auf Zeichen von Beschädigungen und Korrosion sowie auf ihre ordnungsgemäße Funktion. Sofern zutreffend: Schwenkungen sollten frei drehbar sein und Karabiner und Verschlüsse sollten ordnungsgemäß öffnen, schließen, einrasten und entsperren.	<input type="checkbox"/>	<input type="checkbox"/>





**ADVERTENCIA:** Este producto es parte de un sistema personal de detención de caídas, de posicionamiento para el trabajo o de rescate. El usuario debe seguir las instrucciones del fabricante para el uso de cada componente del sistema. Estas instrucciones deben entregarse al usuario de este equipo. El usuario debe leer y comprender estas instrucciones antes de utilizar el equipo. Deben seguirse las instrucciones del fabricante para el uso y el mantenimiento adecuados de este equipo. Si se altera o se hace un uso indebido de este producto o si no se siguen las instrucciones, se pueden producir heridas graves o incluso la muerte.

**IMPORTANTE:** Si tiene alguna duda sobre el uso, el cuidado o la conveniencia de este equipo para el trabajo a realizar, póngase en contacto con Capital Safety.

**IMPORTANTE:** Antes de utilizar este equipo, introduzca en el registro de inspección y mantenimiento de este manual la información de identificación del producto indicada en la etiqueta de identificación.

## REFERENCIAS AL GLOSARIO

Las referencias al glosario que se encuentran numeradas en la cubierta de estas instrucciones remiten a los siguientes elementos:

- ① Instrucciones para el usuario.
- ② Anticaídas autorretráctiles Rebel™.
- ③ Números de modelo: (Véase la Figura 1).
- ④ Normas.
- ⑤ Número del organismo que realizó la prueba CE.
- ⑥ Número del organismo verificador de la fabricación de este EPP.

## DESCRIPCIONES:

Los SRL Rebel son sistemas anticaídas autorretráctiles de 6 pies (2,0 m), equipados con un indicador de carga en la línea, que se retraen en una carcasa termoplástica. Los SRL Rebel se encuentran disponibles en múltiples configuraciones que permiten la fijación a un punto de anclaje, con montaje simple o doble en un arnés de cuerpo completo o un equipo similar (véase la Figura 1). El SRL Rebel se bloquea automáticamente al inicio de una caída para detenerla, pero afloja y retrae el cabo anticaídas durante el movimiento normal del usuario sujeto.

La Figura 2 ilustra los componentes clave de los SRL Rebel:

<b>A</b>	Placa giratoria	<b>B</b>	Argolla giratoria	<b>C</b>	Mosquetón (opcional)	<b>D</b>	Carcasa
<b>E</b>	Anticaídas de cincha	<b>F</b>	Indicador de carga	<b>G</b>	Mosquetón con cierre automático		

## 1.0 APLICACIONES

- 1.1 OBJETIVO:** Los cabos anticaídas autorretráctiles (Self Retracting Lifelines, SRL) de Capital Safety están diseñados como componentes del sistema personal de detención de caídas (personal fall arrest system, PFAS). La figura 1 ilustra los SRL comprendidos en este manual de instrucciones y sus aplicaciones típicas. Pueden utilizarse en la mayoría de las situaciones que requieran proporcionar al operario una combinación de movilidad y protección contra caídas (p. ej., tareas de inspección, construcción en general, tareas de mantenimiento, producción petrolera, trabajo en espacios confinados, etc.).
- 1.2 NORMAS:** Su SRL cumple las normas nacionales identificadas en la cubierta de estas instrucciones.
- 1.3 FORMACIÓN:** Este equipo está diseñado para ser utilizado por personas que hayan recibido formación sobre su uso y aplicación correctos. Es responsabilidad del usuario garantizar que está familiarizado con estas instrucciones, y que cuenta con formación en el cuidado y uso correctos de este equipo. El usuario también debe tener conocimiento de las características de funcionamiento, los límites de aplicación y las consecuencias del uso incorrecto de este equipo.

## 2.0 LIMITACIONES Y REQUISITOS

Tenga siempre en cuenta las siguientes limitaciones y requisitos cuando instale o utilice este equipo:

- 2.1 CAPACIDAD:** Los SRL están diseñados para ser utilizados por una persona con un peso combinado (persona, ropa, herramientas, etc.) de al menos 75 lb (34 kg) y que no exceda las 310 lb (140 kg).  
En ningún momento deberá conectarse más de una persona a un único SRL para detención de caídas.
- 2.2 FUERZA MÁXIMA DE DETENCIÓN Y DISTANCIA MÁXIMA DE DETENCIÓN:** Los SRL documentados en esta instrucción cumplen los siguientes valores máximos de fuerza de detención:

<b>Peso del trabajador</b>	<b>Hasta 310 lb (140 kg)</b>
<b>Fuerza media de detención</b>	900 lb (4,0 kN)
<b>Fuerza máxima de detención</b>	1350 lb (6,0 kN)

- 2.3 ANCLAJE:** La estructura de anclaje para el SRL debe ser capaz de soportar cargas de hasta 2.700 lb (12 kN). Los dispositivos de anclaje deben cumplir con la normativa EN795.

**ADVERTENCIA:** El punto de anclaje debe estar ubicado a la misma altura o por encima del borde desde el cual puede ocurrir una caída. Si no tiene en cuenta esta advertencia, podrían producirse errores de funcionamiento del equipo, heridas graves o incluso la muerte.

- 2.4 PLAN DE RESCATE:** Al utilizar este equipo, el empleador debe tener un plan de rescate y los medios a mano para implementarlo, así como comunicar el plan a los usuarios, personas autorizadas y rescatadores.
- 2.5 FRECUENCIA DE INSPECCIÓN:** Los SRL deben inspeccionarse por la persona autorizada<sup>1</sup> o por el rescatador<sup>2</sup> antes de cada uso. Además, las inspecciones deberá realizarlas una persona competente<sup>3</sup> distinta del usuario, y una entidad de inspección autorizada por el fabricante. Dicha persona competente debe usar el programa de inspección (Tabla 1) para determinar los intervalos apropiados de inspección. Los procedimientos de inspección se describen en la "Lista de verificación de inspección" (Tabla 2). Los resultados de la inspección por parte de la persona competente deben registrarse en el "Registro de inspección y mantenimiento" que se encuentra en la parte trasera de estas instrucciones.

**Tabla 1 – Programa de inspección**

Tipo de uso	Ejemplos de aplicación	Condiciones de uso	Frecuencia de inspección		
			Persona competente	Autorizado por el fabricante	Usuario
De poco frecuente a escaso	Rescate y espacio confinado, mantenimiento de la fábrica	Buenas condiciones de almacenamiento, uso en interiores o uso poco frecuente en exteriores, temperatura ambiente, ambientes limpios	Una vez al año	Al menos cada 2 a 5 años, pero a intervalos no mayores de los requeridos por el fabricante	Antes de cada uso
De moderado a intenso	Transporte, construcción residencial, servicios públicos, almacén	Condiciones adecuadas de almacenamiento, uso en interiores y uso prolongado en exteriores, todas las temperaturas, ambientes limpios o polvorientos	Dos veces al año o una vez al año	Al menos cada 1 a 2 años, pero a intervalos no mayores de los requeridos por el fabricante	Antes de cada uso
De severo a continuo	Construcción comercial, petróleo y gas, minería	Condiciones exigentes de almacenamiento, uso en exteriores prolongado o continuo, todas las temperaturas, ambiente sucio	Trimestralmente o cada seis meses	Al menos una vez al año, pero a intervalos no mayores de los requeridos por el fabricante	Antes de cada uso

- 2.6 VELOCIDAD DE BLOQUEO:** Se deben evitar las situaciones que no permitan un trayecto de caída sin obstrucciones. Trabajar en espacios confinados o estrechos puede hacer que el cuerpo no alcance suficiente velocidad para provocar el bloqueo del SRL en caso de producirse una caída. Es posible que al trabajar sobre materiales de desplazamiento lento, como arena o grano, no se alcance la velocidad suficiente para provocar el bloqueo del SRL. Es necesario un trayecto sin obstáculos para garantizar un bloqueo correcto del SRL.
- 2.7 FUNCIONAMIENTO NORMAL:** El funcionamiento normal debe permitir extender y retraer el anticaídas completo sin dificultad al extenderse y sin holgura al retraerse cuando el trabajador se mueve a velocidad normal. En caso de que se produzca una caída, un sensor de velocidad activará un sistema de freno que permitirá detener la caída y absorber mucha de la energía generada. Para caídas que se producen cerca del final del desplazamiento del cabo anticaídas, se ha incorporado un sistema de cabo anticaídas de reserva o indicador de carga para garantizar una protección contra caídas de impacto reducido. Si el SRL ha sido sometido a cargas de detención de caídas, retire de funcionamiento el SRL, márkelo como "INUTILIZABLE", y descártelo de la forma recomendada (consulte la "Sección 5.4 - Eliminación"). Se deben evitar los movimientos repentinos o rápidos durante las labores normales de trabajo, dado que pueden provocar el bloqueo del SRL.
- 2.8 CAÍDA LIBRE:** Cuando se ancla desde arriba, los SRL limitan la distancia de caída libre a 2 pies (0,6 m) o menos. Para evitar distancias de caída mayores, ancle el SRL directamente por encima del operario. Evite trabajar en lugares donde el anticaídas pueda cruzarse o enredarse con el de otro trabajador. Evite trabajar en sitios donde pueda caer un objeto que golpee el anticaídas y pueda producirle daños o una pérdida de equilibrio. No permita que el anticaídas pase por debajo de los brazos o entre las piernas. Nunca pince, anude ni impida que el anticaídas se retraiga o pierda tensión. Evite que la cuerda esté floja. **No alargue el SRL mediante la conexión de una eslinga o un componente similar sin consultar a Capital Safety.**
- 2.9 DISTANCIA DE CAÍDA:** La figura 3A ilustra la distancia de caída requerida en pies (metros) entre el nivel del trabajo y el obstáculo más cercano para un usuario con un peso total de hasta 310 lb (140 kg). X = distancia de caída entre el nivel del trabajo y el obstáculo más cercano. Asegúrese de que la distancia en la trayectoria de una caída sea adecuada para evitar golpes contra algún objeto durante una caída. No lo amarre debajo de la anilla D dorsal. Si el trabajador va a estar trabajando en una posición que no esté directamente debajo del punto de anclaje del SRL, el margen requerido y la distancia de caída vertical serán mayores.
- 2.10 CAÍDAS CON BALANCEO:** Se pueden producir caídas con balanceo si el punto de anclaje no está directamente por encima del punto donde se produce la caída (véase la Figura 3B). La fuerza del golpe contra un objeto en una caída con balanceo puede causar lesiones graves. En una caída de este tipo, la distancia total de caída vertical es mayor que si el usuario se hubiera caído directamente debajo del punto de anclaje, incrementando así la distancia de caída necesaria para detener de manera segura a la persona. Utilice la Figura 3 para determinar el margen de caída en el trabajo a realizar. X = distancia de caída entre el nivel del trabajo y el obstáculo más cercano. Trabaje en un lugar situado lo más directamente posible por debajo del punto de anclaje para minimizar la posibilidad de caídas con balanceo. Nunca permita que pueda producirse una caída con balanceo si se puede ocasionar una lesión.

**1 Persona autorizada:** una persona asignada por el empleador para realizar tareas en una ubicación donde estará expuesto a riesgo de caída.

**2 Responsable del rescate:** persona o personas, que no sean el sujeto que se pretende rescatar, que actúan para realizar un rescate asistido mediante un sistema de rescate.

**3 Persona competente:** una persona designada por el empleador que se encarga de la supervisión inmediata, implementación y seguimiento del programa de protección contra caídas del empleador, quien, mediante su formación y conocimiento, puede identificar, evaluar y atender los riesgos reales y potenciales de caídas, y que cuenta con la autorización del empleador para tomar medidas correctivas inmediatas en relación con dichos riesgos.

- 2.11 PELIGROS:** El uso de este equipo en zonas con peligros ambientales puede requerir precauciones adicionales para reducir la posibilidad de lesiones al usuario o de daños al equipo. Entre esos peligros se encuentran el calor excesivo, sustancias cáusticas, ambientes corrosivos, líneas de alta tensión, gases explosivos o tóxicos, maquinaria móvil y bordes afilados, o bien materiales que puedan caer y golpear al usuario o al sistema de detención de caídas.
- 2.12 BORDES AFILADOS:** Evite trabajar en sitios donde el cabo anticaídas pueda estar en contacto con bordes afilados sin protección o pueda friccionarse contra ellos. Cuando pueda producirse el contacto con un borde, cubra el borde con material protector.
- 2.13 SUJECCIÓN DEL CUERPO:** Se debe utilizar un arnés de cuerpo completo con el SRL. El punto de conexión del arnés debe estar situado por encima del centro de gravedad del usuario. No está autorizado el uso de cinturones corporales con el SRL. En caso de caída, el uso de un cinturón corporal puede causar la liberación accidental del sistema y asfixia potencial por una sujeción inadecuada al cuerpo.
- 2.14 COMPATIBILIDAD DE COMPONENTES:** Salvo que se indique lo contrario, el equipo Capital Safety está diseñado para su uso solo con los componentes y subsistemas aprobados por Capital Safety. Las sustituciones que se hagan con componentes o subsistemas no aprobados pueden poner en peligro la compatibilidad del equipo y afectar a la seguridad y fiabilidad de todo el sistema.

**IMPORTANTE:** Lea y siga las instrucciones del fabricante para los componentes y subsistemas asociados en su sistema personal de detención de caídas.

- 2.15 COMPATIBILIDAD DE CONECTORES:** Los conectores se consideran compatibles con los elementos de conexión cuando, sin importar cómo queden orientados, se han diseñado para trabajar en conjunto de manera que sus tamaños y formas no provoquen que sus mecanismos de apertura se abran inesperadamente. Póngase en contacto con Capital Safety si tiene alguna duda sobre la compatibilidad.

Los conectores utilizados para suspender el SRL deben cumplir la norma EN362. Los conectores deben ser compatibles con el anclaje y los demás componentes del sistema. No utilice equipos que no sean compatibles. Los conectores no compatibles pueden desengancharse de manera accidental (véase la Figura 4). Los conectores deben ser compatibles en tamaño, forma y resistencia. Se precisan mosquetones con cierre automático y mosquetones con cierre automático. Si el elemento conector al que se acopla un mosquetón con cierre automático o un mosquetón es más pequeño de lo normal o tiene forma irregular, puede suceder que el elemento conector ejerza una fuerza sobre el mecanismo de apertura del mosquetón con cierre automático o el mosquetón (A). Esta fuerza puede hacer que el mecanismo de apertura se abra (B) y permitir que el mosquetón con cierre automático o el mosquetón se desenganchen del punto de conexión (C).

- 2.16 CÓMO CONECTARSE:** Los mosquetones con cierre automático y mosquetones a usarse con este equipo deben ser de autobloqueo. Asegúrese de que todas las conexiones sean compatibles en tamaño, forma y resistencia. No utilice equipos que no sean compatibles. Asegúrese de que todos los conectores estén totalmente cerrados y bloqueados.

Los conectores Capital Safety (mosquetones con cierre automático y mosquetones) están diseñados para ser utilizados solo del modo especificado en las instrucciones para el usuario de cada producto. Consulte la figura 5 para ver ejemplos de conexiones incorrectas. No conecte mosquetones con cierre automático y mosquetones:

- A. A una anilla D que tenga otro conector acoplado.
- B. De una manera que resulte una carga sobre el mecanismo de apertura.
- C. En un acoplamiento en falso, las características que se proyectan desde el mosquetón con cierre automático o el mosquetón se enganchan al anclaje y, sin confirmación visual, parecen estar bien acoplados al punto de anclaje.
- D. Entre sí.
- E. Directamente con una cincha, eslinga de cuerda o de autoamarre (a menos que en las instrucciones del fabricante, tanto para la eslinga como para el conector, se permita tal conexión).
- F. A cualquier objeto con forma o dimensión tal que el mosquetón con cierre automático o mosquetón no se cierren ni se bloqueen o que puedan soltarse.
- G. De modo que el conector no quede correctamente alineado mientras está sometido a carga.



## 3.0 INSTALACIÓN

- 3.1 PLANIFICACIÓN:** Planifique su sistema de protección contra caídas antes de comenzar su trabajo. Tenga en cuenta todos los factores que podrían afectar a su seguridad antes, durante y después de una caída. Considere todos los requisitos y limitaciones definidos en la Sección 2.

**IMPORTANTE:** En la mayoría de los trabajos, los Rebel SRL se pueden conectar al anclaje o la ubicación dorsal del arnés. Ambas orientaciones son permisibles.

### 3.2 ANCLAJE:

La Figura 6 ilustra los típicos conectores de anclaje del SRL (Self Retracting Lifelines, cabos anticaídas autorretráctiles):

<b>A</b>	Anclaje	<b>B</b>	Conector	<b>C</b>	Adaptador de conexión
----------	---------	----------	----------	----------	-----------------------

Seleccione una ubicación de anclaje con mínimo riesgo de caída libre y de caída con balanceo (consulte la Sección 2). Seleccione un punto de anclaje rígido capaz de sustentar las cargas estáticas definidas en la Sección 2.3. Los SRL Rebel deben anclarse siempre en la anilla D dorsal o encima de ella.

**IMPORTANTE:** Se recomienda que este equipo se instale bajo la supervisión de una persona cualificada.

### 3.3 OPCIONES DE MONTAJE DEL ARNÉS:

**Montaje de arnés SRL único de cuerpo completo:** El SRL Rebel puede conectarse a la anilla D dorsal con un mosquetón o con un mosquetón con cierre automático. (Ver Figura 8, ejemplos de conexión 1 y 2). Algunos modelos Rebel incluyen un mosquetón. Todos incluyen un mosquetón con cierre automático.

Conecte la argolla giratoria (componentes Rebel identificados en la Figura 2) a la anilla D en el arnés usando el mosquetón incluido en algunos modelos Rebel (o use un conector de la categoría apropiada), o use el mosquetón con cierre automático para conectarse a la anilla D. El extremo opuesto del Rebel debe conectarse al punto de anclaje (ver Sección 2.3) con el mosquetón que viene incluido (o con un conector de la categoría apropiada), o con el mosquetón con cierre automático incluido.

**Montaje de arneses SRL gemelos empleando un mosquetón:** Algunos Rebel modelos SRL incluyen un mosquetón (identificado en la Figura 2) que puede conectar dos Rebel SRL a un arnés de cuerpo completo cuando el trabajo colgante requiere de un 100% de amarre. El mosquetón monta dos Rebel SRLs uno junto al otro justo debajo de la anilla D dorsal. (Ver Figura 8, ejemplo de conexión 3)

Para montar dos Rebel SRLs en un arnés de cuerpo completo con el mosquetón: (Ver Figura 7. A - Correas de cincha; B - Anilla D dorsal; C - Argolla giratoria, SRL)

**Paso 1: Afloje la cincha del arnés:** Tire de las correas de cincha (A) donde pasan a través de la parte inferior de la anilla D dorsal (B) hasta que haya suficiente espacio para deslizar el mosquetón entre las correas de cincha y la almohadilla de la anilla D.

**Paso 2: Abra el mosquetón de triple acción:** Levante el mecanismo de apertura del mosquetón (1) y gírelo 45 grados (2) para alinear la ranura de la apertura con la carcasa del mosquetón. Presione el mecanismo de apertura (3) hacia dentro para abrir el mosquetón.

**Paso 3: Monte el primer Rebel SRL en el mosquetón:** Inserte el mosquetón en el SRL a través de la argolla giratoria (C).

**Paso 4: Inserte el mosquetón a través de las correas de cincha:** Con el mecanismo de apertura del mosquetón en posición abierta, inserte el mosquetón tras las correas de cincha. Rote el mosquetón detrás de las correas de cincha hasta que el mosquetón rodee las correas de cincha y el primer SRL Rebel quede situado a la derecha del mosquetón.

**Paso 5: Monte el segundo Rebel SRL en el mosquetón:** Inserte el mosquetón a través de la argolla giratoria del segundo SRL. Sitúe el segundo SRL en el lado izquierdo del mecanismo de apertura del mosquetón.

**Paso 6: Permita que el mecanismo de apertura del mosquetón pueda cerrarse y quedar bloqueado.**

**Compruebe el montaje de ambos SRL:** Cuando está correctamente montado, el mosquetón debe pasar a través de las correas de cincha (A), y las argollas giratorias del SRL deben estar aseguradas en ambos lados del mecanismo de apertura del mosquetón. Tire de las correas de cincha (A) hacia atrás a través de la anilla D dorsal y de la almohadilla de la anilla D para eliminar la holgura del tejido y asegure el mosquetón entre las correas de cincha y la almohadilla de la anilla D.

## 4.0 USO

**ADVERTENCIA:** No modifique este equipo ni lo use intencionalmente de forma inadecuada. Consulte a Capital Safety si piensa utilizar este equipo con componentes o subsistemas diferentes a los descritos en este manual. Algunas combinaciones de subsistemas y componentes pueden perjudicar el funcionamiento del equipo. Tenga cuidado cuando utilice este equipo cerca de maquinaria en movimiento, zonas de riesgos eléctricos o químicos, bordes afilados o materiales en áreas elevadas que puedan caer sobre el sistema anticaídas. No enrolle el cabo anticaídas alrededor de elementos estructurales pequeños. Si no tiene en cuenta esta advertencia, podrían producirse errores de funcionamiento del equipo, heridas graves o incluso la muerte.

**ADVERTENCIA:** Consulte a su médico si duda de que su estado físico pueda resistir sin problemas el impacto de una detención de caída. La edad y el estado físico afectan seriamente a la capacidad del trabajador para resistir las caídas. Las mujeres embarazadas y los menores no deben utilizar anticaídas retráctiles.

- 4.1 ANTES DE CADA USO:** Antes de cada uso de este equipo de protección contra caídas, inspecciónelo con cuidado para comprobar que se encuentre en buen estado. Compruebe que no existan piezas desgastadas ni dañadas. Asegúrese de que todos los pasadores y sujetadores estén en su lugar y bien asegurados. Compruebe que el anticaídas se retraiga de manera correcta al extraer el cabo y al soltar lentamente. Si se produce alguna demora en la retracción, retire el SRL de funcionamiento, márkelo como "INUTILIZABLE", y descártelo de la forma recomendada (ver "Sección 5.4 - Eliminación"). Inspeccione el cabo anticaídas para comprobar si tiene cortes, desgaste, quemaduras, aplastamiento o corrosión. Compruebe la acción de bloqueo tirando bruscamente del enlace. Consulte la Sección 5 para más información sobre la inspección.
- 4.2 SI SE PRODUCE UNA CAÍDA:** Cualquier equipo que haya sido sometido a fuerzas de detención de caídas o muestre signos de daño como consecuencia del efecto de estas fuerzas según se describe en la Sección 5, deberá ser retirado de servicio inmediatamente, marcado como "INUTILIZABLE", y desechado de la forma recomendada (consulte la "Sección 5.4 - Eliminación").
- 4.3 SUJECIÓN DEL CUERPO:** Cuando utilice los SRLRebel, debe llevar un arnés de cuerpo completo. Para protección general contra caídas, engánchelo a la anilla D (dorsal) posterior. Para acciones como subir una escalera, puede ser útil conectarlo a la parte frontal del arnés por encima del centro de gravedad del trabajador. Esto es aceptable siempre que la posible caída libre sea inferior a 2 pies (0,6 m) y que se pueda recuperar fácilmente el apoyo.

**IMPORTANTE:** no utilice un cinturón corporal en posibles situaciones de caída libre. Consulte OSHA 1926.502 para ver las directrices.

- 4.4 CÓMO CONECTARSE:** La Figura 8 muestra la conexión al arnés y al anclaje para los sistemas de detención de caídasRebel SRL. Cuando utilice un gancho para realizar una conexión, asegúrese de que no pueda soltarse (vea la Figura 4). No use ganchos ni conectores que no se cierren completamente sobre el objeto de fijación. No utilice ganchos que no tengan dispositivo de autobloqueo. El anclaje debe satisfacer los requisitos de fuerza de anclaje indicados en la Sección 2.3. Siga las instrucciones del fabricante suministradas con cada componente del sistema.
- 4.5 FUNCIONAMIENTO:** Antes de su uso, revise el SRL del modo descrito en la Sección 5.0. La Figura 8 muestra las conexiones del sistema para las aplicaciones típicasRebelSRL. Conecte elRebel SRL a un anclaje adecuado o móntelo en la parte posterior de un arnés de cuerpo entero según las instrucciones de la Sección 3. En los anclajes conectados al SRL, conecte el gancho o el mosquetón del indicador de carga a la anilla D dorsal del arnés de cuerpo entero. En los SRL montados en arnés, conecte el gancho o mosquetón a un anclaje adecuado. Asegúrese de que las conexiones sean compatibles en tamaño, forma y resistencia. Asegúrese de que los ganchos estén completamente cerrados y bloqueados. Una vez conectado, el trabajador tiene libertad de movimiento dentro del área de trabajo recomendada a velocidades normales. Si ocurre una caída, el SRL se bloqueará y detendrá la caída. Después de una situación de rescate, deje de usar el SRL. Cuando trabaje con un SRL, deje siempre que el cabo anticaídas se repliegue en el dispositivo de control.

**ADVERTENCIA:** No ate ni anude el cabo anticaídas. Evite el contacto del cabo anticaídas con superficies cortantes o abrasivas. Inspeccione el cabo anticaídas con frecuencia para detectar cortes, deshilachados, quemaduras o signos de daño producido por productos químicos. La suciedad, los contaminantes y el agua pueden reducir las propiedades dieléctricas del cabo anticaídas. Sea precavido cuando lo use cerca de líneas eléctricas.

- 4.6 AMARRE AL 100 % DE LA INTERFAZ DE DOS RAMALES (TWIN LEG):** Cuando dos Rebel SRLs están montados lado a lado en la parte posterior de un arnés de cuerpo completo, se puede utilizar el sistema de protección contra caídas SRL como protección continua (amarre al 100 %) en ascenso, descenso o movimiento lateral. Con el ramal del anticaídas de un SRL conectado a un punto de anclaje, el trabajador se puede mover a una nueva ubicación, conectar el ramal del anticaídas sin usar del otro SRL a otro punto de anclaje y, a continuación, desconectarlo del punto de anclaje original. (vea la Figura 9A) La secuencia se repite hasta que el trabajador alcance la ubicación que desea. Entre los aspectos a tener en cuenta para el uso del amarre al 100 % de dos ramales se encuentran los siguientes:

- Nunca conecte botheration SRL Líneas de vida til mismos puntos de anclaje. (Ver Figura 9B)
- Se puede conectar cada ramal a un punto de anclaje independiente. (vea la Figura 9C)
- Nunca conecte a más de una persona a la vez al sistema de dos ramales (Twin-Leg). (vea la Figura 9D)
- No permita que los cabos anticaídas se enreden o se trencen, ya que ello podría impedir que se retraigan.
- No permita que ningún cabo anticaídas pase por debajo de los brazos o entre las piernas mientras se esté usando.

**4.7 SISTEMAS HORIZONTALES:** Cuando utilice un Rebel SRL junto con un sistema horizontal (por ejemplo: cabos anticaídas horizontales, vigas en doble T horizontales) los componentes del sistema horizontal y del SRL deben ser compatibles. Los sistemas horizontales se deben diseñar e instalar bajo la supervisión de un ingeniero cualificado. Consulte las instrucciones del fabricante del equipo del sistema horizontal para obtener más detalles.

## 5.0 INSPECCIÓN

- 5.1 FRECUENCIA DE INSPECCIÓN:** Se debe revisar el Rebel SRL en los intervalos definidos en la "Sección 2.5 - Frecuencia de inspección". Los procedimientos de inspección se describen en la "Lista de verificación de inspección" (Tabla 2).
- 5.2 CONDICIONES POCO SEGURAS O DEFECTUOSAS:** Si la inspección revela un estado poco seguro o defectuoso, retire el SRL de funcionamiento, márkelo como "INUTILIZABLE" y descártelo de la forma recomendada (vea la "Sección 5.4 - Eliminación").
- 5.3 VIDA DEL PRODUCTO:** La vida útil de los SRL Rebel se determina según las condiciones de uso y mantenimiento. Siempre que los SRL pasen los criterios de inspección, pueden seguir utilizándose.
- 5.4 ELIMINACIÓN:** Deseche el Rebel SRL si ha sido sometido a una fuerza de caída o se detecta en una inspección que presenta defectos o no es seguro. Antes de desechar el SRL, corte el indicador de carga de la correa de cincha o inutilícelo de otro modo para eliminar la posibilidad de que vuelva a usarse inadvertidamente.

## 6.0 MANTENIMIENTO, REPARACIÓN Y ALMACENAMIENTO

**6.1 LIMPIEZA:** Los procedimientos de limpieza para el SRL Rebel son los siguientes:

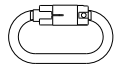
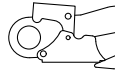
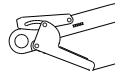

- Limpie periódicamente el exterior del SRL con agua y una solución jabonosa suave. Coloque el SRL de modo que se drene fácilmente el exceso de agua. Limpie las etiquetas cuando sea necesario.
- Limpie el anticaídas de cincha con agua y una solución jabonosa suave. Enjuague y seque completamente al aire. No acelere el secado con calor. El cabo anticaídas debe estar seco antes de dejar que se retraiga dentro de la carcasa. La acumulación excesiva de suciedad, pintura, etc., podría impedir la retracción completa del cabo anticaídas dentro de la carcasa, con posible riesgo de caída libre.

**IMPORTANTE:** Si el cabo anticaídas entra en contacto con ácidos u otros agentes cáusticos, no utilice el equipo y límpielo con agua y una solución jabonosa suave. Inspeccione el SRL según la Tabla 2 antes de ponerlo en servicio nuevamente.

- 6.2 SERVICIO:** Rebel Los SRL no se pueden reparar. Si el SRL ha sido sometido a cargas de detención de caídas o la inspección revela una condición defectuosa o poco segura, retire el SRL de funcionamiento, márkelo como "INUTILIZABLE", y descártelo de la forma recomendada (vea la "Sección 5.4 - Eliminación").
- 6.3 ALMACENAMIENTO:** Guarde los SRL Rebel en lugar frío, seco y limpio, sin exponerlo directamente a la luz solar. Evite las zonas donde pueda haber vapores químicos. Inspeccione cuidadosamente el SRL después de cualquier período de almacenamiento prolongado.

## 7.0 ESPECIFICACIONES

- 7.1 RENDIMIENTO:** Su Rebel SRL ha sido comprobado y ha obtenido la certificación según los requisitos de rendimiento de las normas indicadas en la cubierta de este manual de instrucciones. Vea la "Sección 2.0 - Limitaciones y requisitos" para conocer las especificaciones de rendimiento.
- 7.2 MATERIALES:** Las especificaciones de materiales de los Rebel SRL son las siguientes:

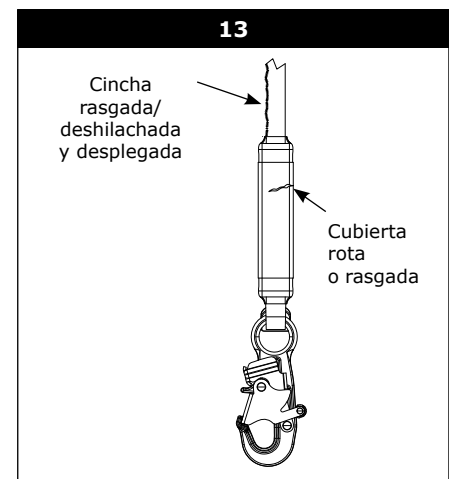
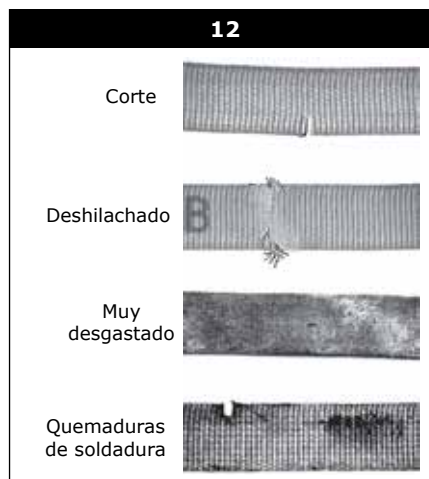
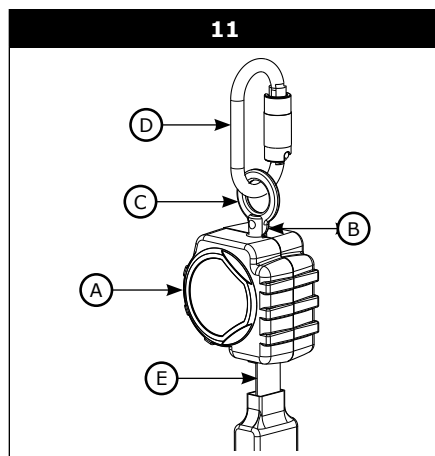
<b>Carcasa:</b>	Nailon, resistente a UV	<b>Muelle del motor:</b>	Acero inoxidable		
<b>Tambor:</b>	Nailon, Tipo 6/6	<b>Placa giratoria:</b>	Acero galvanizado		
<b>Sujetadores:</b>	Tornillos de acero galvanizado; Remaches de acero inoxidable	<b>Cabo anticaídas:</b>	Cincha de poliéster		
<b>Enganches de bloqueo:</b>	Acero inoxidable	<b>Indicador de carga</b>	Superficie exterior: Tubo de PVC		
<b>Eje principal:</b>	Acero inoxidable		Cincha: Poliéster		
<b>Conectores terminales:</b> (Ver la Figura 1)			Mecanismo de apertura	Fuerza del mecanismo de apertura	
	C		Mosquetón de acero	3/4 pulgada (19 mm)	3.600 lbf (16 kN)
	D		Mosquetón con cierre automático de acero	3/4 pulgada (19 mm)	225 lbf (1 kN)
	E		Gancho de acero reforzado	2 1/4 pulgadas (57 mm)	3.600 lbf (16 kN)
	F		Mosquetón con cierre automático de acero	3/4 pulgada (19 mm)	3,600 lbf (16 kN)

**7.3 ETIQUETADO:** La Figura 10 muestra el etiquetado del SRL Rebel. Todas las etiquetas deben estar presentes y ser completamente legibles.

1	Inspeccione visualmente la unidad. Lea las instrucciones.
2	Inspeccione el mecanismo de bloqueo del SRL. Un usuario como máximo.
3	Forma correcta de conectar el SRL al arnés.
4	Puede conectarse a un punto de anclaje al mismo nivel que la anilla D dorsal o por encima. 310 lb (140 kg) máximo.
5	Gama de temperatura de uso: -40 °C + 60 °C.
6	Capacidad máxima: 140 kg.
7	Permita siempre que el cabo anticaídas se repliegue en el SRL de control.
8	No lo repare.
9	Guárdelo en el interior.
10	No apoye la carcasa del SRL en bordes durante su uso.
11	No quite la etiqueta.

**Tabla 2 – Lista de verificación**

Componente:	Inspección:	Aprobado	Rechazado
SRL (Figura 11)	Compruebe que no haya pernos sueltos ni piezas dobladas o dañadas.	<input type="checkbox"/>	<input type="checkbox"/>
	Inspeccione la carcasa (A) para comprobar que no haya ninguna deformación o fisura u otros desperfectos.	<input type="checkbox"/>	<input type="checkbox"/>
	Inspeccione la placa giratoria (B), la argolla giratoria (C) y el mosquetón (D) para comprobar que no haya ninguna deformación, fisura u otros desperfectos. La placa giratoria debe conectarse de forma segura al SRL, pero debe poder pivotar libremente. La argolla giratoria o el conector integral deben girar libremente en la placa giratoria.	<input type="checkbox"/>	<input type="checkbox"/>
	El cabo anticaídas de la cincha (E) se debe extraer y retraer por completo sin dificultad y sin que quede flojo.	<input type="checkbox"/>	<input type="checkbox"/>
	Asegúrese de que el SRL se bloquee al tirar bruscamente del cabo anticaídas. El bloqueo debe ser seguro y sin deslizamiento.	<input type="checkbox"/>	<input type="checkbox"/>
	Todas las etiquetas deben estar presentes y ser completamente legibles (vea la Figura 10).	<input type="checkbox"/>	<input type="checkbox"/>
Anticaídas de cincha (Figura 12)	Inspeccione todo el SRL para comprobar que no haya señales de corrosión.	<input type="checkbox"/>	<input type="checkbox"/>
	Revise el cabo anticaídas para detectar si hay zonas de desgaste, hebras deshilachadas, hilos rotos, quemaduras, cortes o abrasiones. El cabo anticaídas no debe tener ningún nudo en toda su extensión. Examine si hay demasiada suciedad, pintura acumulada o manchas de óxido. Revise si tiene daños ocasionados por sustancias químicas o calor, que se evidencian en zonas marrones, decoloradas o quebradizas. Examine si presenta daños por la radiación solar ultravioleta, que pueden identificarse por la decoloración y la presencia de briznas y astillas en la superficie del cabo anticaídas.	<input type="checkbox"/>	<input type="checkbox"/>
Indicador de carga (Figura 13)	Inspeccione el indicador de carga para determinar si ha sido activado. No debe haber muestras de elongación y la cubierta debe estar firme y sin desgarros u otros daños.	<input type="checkbox"/>	<input type="checkbox"/>
Conectores terminales (Figura 1)	La Figura 1 muestra los conectores terminales que pueden corresponder a su modelo Rebel SRL. Revise todos ganchos de seguridad, los mosquetones, los ganchos reforzados etc. para comprobar si muestran signos de daños, corrosión y si están en condiciones apropiadas de uso. Cuando los haya: Las piezas giratorias deben girar libremente y los mosquetones y los mecanismos de apertura deben abrirse, cerrarse, bloquearse y desbloquearse correctamente.	<input type="checkbox"/>	<input type="checkbox"/>





**AVERTISSEMENT :** Ce produit fait partie d'un système antichute individuel, d'un dispositif de positionnement ou d'un équipement de sauvetage. L'utilisateur doit suivre les instructions du fabricant pour chaque composant du dispositif. Ces instructions doivent être transmises à l'utilisateur de cet équipement. L'utilisateur doit lire et comprendre ces instructions avant d'utiliser cet équipement. Les instructions du fabricant doivent être respectées pour une utilisation et un entretien appropriés de cet équipement. Tout usage impropre, toute modification apportée à ce produit ou tout non-respect des instructions peuvent entraîner des dommages corporels graves, voire un décès.

**IMPORTANT :** Pour toute question relative à l'utilisation, à l'entretien ou à la compatibilité de cet équipement avec votre application, contactez Capital Safety.

**IMPORTANT :** Avant d'utiliser cet équipement, enregistrez les informations d'identification du produit, indiquées sur l'étiquette d'identification, dans le journal d'inspection et d'entretien de ce manuel.

## RENOIS AU GLOSSAIRE

Les renvois au glossaire numérotés de la page de couverture de cette notice correspondent aux éléments suivants :

- ① Instructions d'utilisation.
- ② Lignes de vie auto-rétractables Rebel™.
- ③ Numéros de modèle : (Voir figure 1).
- ④ Normes.
- ⑤ Numéro d'identification de l'organisme ayant réalisé le test de certification CE.
- ⑥ Nombre d'organismes contrôlant la fabrication de cet équipement de protection individuelle (Personal Protective Equipment, PPE).

## DESCRIPTIONS :

Les dispositifs antichute à rappel automatique Rebel sont des lignes de vie auto-rétractables d'une longueur de 6 pieds (2,0 m), équipées d'un indicateur de charge en ligne, qui se rétractent dans un carter thermoplastique. Les dispositifs Antichute à rappel automatique Rebel sont disponibles en plusieurs configurations de modèle qui permettent l'amarrage à un point d'ancrage et le montage en simple ou en double à un harnais de sécurité intégral ou à un équipement similaire (voir figure 1). Le Rebel se verrouille automatiquement au début d'une chute pour l'arrêter, mais permet à la ligne de vie de se dérouler et de se rétracter pendant les mouvements normaux de l'utilisateur.

La figure 2 illustre les principaux composants des dispositifs antichute à rappel automatique Rebel :

<b>A</b>	Tourillon	<b>B</b>	Émerillon	<b>C</b>	Mousqueton (facultatif)	<b>D</b>	Carter
<b>E</b>	Ligne de vie	<b>F</b>	Indicateur de charge	<b>G</b>	Mousqueton à cliquet		

## 1.0 APPLICATIONS

- 1.1 OBJECTIF :** les lignes de vie auto-rétractables (ou dispositifs antichute à rappel automatique) de Capital Safety font partie d'un équipement de protection individuelle (EPI) antichute. La figure 1 illustre les dispositifs Antichute à rappel automatique présentés dans ce manuel d'utilisation et leurs applications habituelles. Elles peuvent être utilisées dans la plupart des situations nécessitant à la fois la mobilité de l'ouvrier et sa protection contre les chutes (travail d'inspection, construction diverse, entretien, production pétrolière, travail en espace confiné, etc.).
- 1.2 NORMES :** votre dispositif Antichute à rappel automatique est conforme aux normes nationales présentées sur la page de couverture de ces instructions.
- 1.3 FORMATION :** ce dispositif doit être utilisé par des personnes formées à sa mise en place et à son utilisation. L'utilisateur est tenu de se familiariser avec ces instructions et de suivre une formation pour entretenir et utiliser correctement les équipements. L'utilisateur doit également connaître les caractéristiques de fonctionnement, les limites d'application et les conséquences d'une utilisation inappropriée de cet équipement.

## 2.0 LIMITES ET EXIGENCES

Vous devez toujours consulter les limites et exigences ci-dessous avant d'installer ou d'utiliser cet équipement :

- 2.1 CAPACITÉ :** les lignes de vie auto-rétractables sont conçues pour être utilisées par une personne dont le poids combiné (personne, vêtements, outils, etc.) est d'au plus 310 livres (140 kg) et d'au moins 75 livres (34 kg). Il ne peut y avoir, à aucun moment, plus d'une personne attachée à un seul dispositif Antichute à rappel automatique pour son utilisation antichute.
- 2.2 FORCE D'ARRÊT MAXIMALE ET DISTANCE D'ARRÊT MAXIMALE :** les dispositifs Antichute à rappel automatique documentés dans ces instructions sont conformes aux forces antichute maximales suivantes :

<b>Poids du travailleur</b>	<b>Jusqu'à 310 livres (140 kg)</b>
<b>Force d'arrêt moyenne</b>	900 livres (4,0 kN)
<b>Force d'arrêt maximale</b>	1350 livres (6,0 kN)

- 2.3 ANCRAGE :** la structure d'ancrage du dispositif Antichute à rappel automatique doit pouvoir supporter des charges allant jusqu'à 2 700 livres (12 kN). Les dispositifs d'ancrage doivent être conformes à la norme EN795.

**AVERTISSEMENT :** le point d'ancrage doit être situé à la même hauteur ou au-dessus de l'arête à partir de laquelle une chute est possible. Le non-respect de cet avertissement peut entraîner des dysfonctionnements de l'équipement, des blessures graves, voire mortelles.

- 2.4 PLAN DE SAUVETAGE :** pour utiliser cet équipement, l'employeur doit disposer d'un plan de sauvetage et de moyens disponibles pour le mettre en place, et le communiquer aux utilisateurs, personnes agréées et sauveteurs.
- 2.5 FRÉQUENCE DES INSPECTIONS :** les dispositifs Antichute à rappel automatique doivent être inspectés par la personne agréée<sup>1</sup> ou le sauveteur<sup>2</sup> avant chaque utilisation. En outre, des inspections doivent être effectuées par une personne compétente<sup>3</sup> autre que l'utilisateur et par une entité de contrôle autorisée par le fabricant. La personne compétente doit utiliser le calendrier d'inspection (tableau 1) pour déterminer les intervalles d'inspection appropriés. Les procédures d'inspection sont décrites dans la « Liste de contrôle d'inspection » (tableau 2). Les résultats de l'inspection de la personne compétente doivent être inscrits dans le « Journal d'inspection et d'entretien » situé dans les dernières pages de ces instructions.

**Tableau 1 – Calendrier d'inspection**

Type d'utilisation	Exemples d'applications	Conditions d'utilisation	Fréquence d'inspection		
			Personne compétente	Agréé par le fabricant	Utilisateur
Rare à légère	Opérations de sauvetage, travaux en espace confiné, maintenance d'installations industrielles	Bonnes conditions de stockage, utilisation en intérieur (rarement en extérieur), température ambiante, environnements propres	Une fois par an	Au moins tous les 2 à 5 ans, mais pas à des intervalles plus longs que ceux prescrits par le fabricant	Avant chaque utilisation
Modérée à forte	Transport, construction d'habitations, services publics, entrepôts	Conditions de stockage correctes, utilisation en intérieur et en extérieur, toutes températures, environnements propres ou poussiéreux	Semestrielle à annuelle	Au moins à des intervalles de 1 à 2 ans, mais pas à des intervalles plus longs que ceux prescrits par le fabricant	Avant chaque utilisation
Sévère à continue	Construction de bâtiments commerciaux, pétrole/gaz, industrie minière	Conditions de stockage difficiles, utilisation prolongée ou continue en extérieur, toutes températures, environnements sales	Trimestrielle à semestrielle	Au moins tous les ans, mais pas à des intervalles plus longs que ceux prescrits par le fabricant	Avant chaque utilisation

- 2.6 VITESSE DE VERROUILLAGE :** les situations qui ne permettent pas un chemin de chute dégagé doivent être évitées. Travailler dans des espaces confinés ou restreints ne permet pas toujours au corps d'atteindre une vitesse suffisante pour que le dispositif Antichute à rappel automatique se verrouille en cas de chute. Travailler sur des matériaux légèrement instables, comme le sable ou le gravier, peut également ne pas permettre une vitesse suffisante pour entraîner le verrouillage du dispositif Antichute à rappel automatique. Un environnement dégagé est indispensable pour assurer un verrouillage correct du dispositif Antichute à rappel automatique.
- 2.7 UTILISATION NORMALE :** l'utilisation normale permettra le déploiement et la rétractation sans difficulté de toute la ligne de vie lors du prolongement et empêchera le relâchement lors de la rétractation pendant que le travailleur se déplace à une vitesse normale. En cas de chute, un système de freinage à détection de vitesse s'active, arrêtant la chute et absorbant la majorité de l'énergie générée. Pour les chutes qui se produisent presque à la fin de la course de la ligne de vie, un système de réserve de câble ou un indicateur de charge a été incorporé pour assurer la réduction de l'impact de l'antichute. Si le dispositif Antichute à rappel automatique a été soumis à des forces de chute, mettez-le hors service, apposez-y la mention « INUTILISABLE » et mettez-le au rebut de la manière recommandée (voir « Section 5.4 - Mise au rebut »). Évitez tout mouvement brusque ou rapide pendant une utilisation normale qui risquerait de bloquer le dispositif Antichute à rappel automatique.
- 2.8 CHUTE LIBRE :** lorsque les dispositifs Antichute à rappel automatique sont ancrés au-dessus du niveau de la tête, ils limitent la distance de chute libre de 2 pieds (0,6 m) ou moins. Pour éviter toute augmentation de la distance de chute, ancrer le dispositif Antichute à rappel automatique directement au-dessus de l'ouvrier. Évitez de travailler dans les endroits où votre ligne de vie risque de se croiser ou de s'emmêler avec celle d'un autre ouvrier. Évitez de travailler dans les endroits où des objets peuvent tomber et heurter la ligne de vie, entraînant ainsi la perte d'équilibre ou l'endommagement de la ligne de vie. Ne laissez pas la ligne de vie passer sous vos bras ou entre vos jambes. Ne pincez et ne nouez jamais la ligne de vie, et ne l'empêchez pas de se rétracter ou de se tendre. Évitez qu'il y ait du mou dans la ligne. **Ne rallongez pas votre dispositif Antichute à rappel automatique en reliant une longe ou un autre composant similaire sans consulter Capital Safety.**
- 2.9 DISTANCE D'ARRÊT :** la figure 3A illustre la distance d'arrêt nécessaire en pieds (mètres) entre le niveau de travail et l'obstruction la plus proche pour un utilisateur dont le poids total est inférieur ou égal à 310

**1 Personne agréée :** personne désignée par l'employeur pour effectuer des tâches sur un site où elle sera exposée à un risque de chute.

**2 Sauveteur :** personne, ou groupe de personnes autres que la personne secourue, chargée d'effectuer un sauvetage au moyen d'un équipement de sauvetage.

**3 Personne compétente :** une personne désignée par l'employeur comme responsable de la supervision immédiate, de la mise en œuvre et de la surveillance du programme de protection contre les chutes de l'employeur. Grâce à sa formation et à ses connaissances, cette personne est capable de déceler, d'évaluer et de calculer les risques éventuels de chute. Enfin, l'employeur autorise cette personne à prendre des mesures correctrices en cas de problème.

livres (140 kg). X = distance entre le niveau de travail et l'obstruction la plus proche. S'assurer qu'il existe suffisamment d'espace sur le chemin de chute pour éviter de heurter un objet pendant une chute. N'amarrez pas à un niveau inférieur au D d'accrochage dorsal. Si l'ouvrier travaille à un endroit qui n'est pas directement situé au-dessous du point d'ancrage du dispositif Antichute à rappel automatique, la distance d'arrêt requise et la longueur de la chute verticale seront augmentées.

- 2.10 CHUTES AVEC EFFET PENDULAIRE :** les chutes en mouvement pendulaire se produisent lorsque le point d'ancrage ne se trouve pas directement au-dessus du point de chute (voir figure 3B). Heurter un objet pendant une chute pendulaire peut provoquer des blessures graves. En cas d'Effet pendulaire, la distance totale de chute verticale sera plus importante que si la personne était tombée directement sous le point d'ancrage, ce qui augmente la distance d'arrêt requise pour arrêter la personne en toute sécurité. Utilisez la figure 3A pour déterminer la distance d'arrêt de votre installation. X = distance entre le niveau de travail et l'obstruction la plus proche. Réduisez le risque d'effets pendulaires en travaillant autant que possible directement sous le point d'ancrage. Ne permettez pas un effet pendulaire s'il existe un risque de blessure.
- 2.11 RISQUES :** l'utilisation de cet équipement dans un environnement à risque peut nécessiter des précautions supplémentaires pour réduire le risque de blessure ou de détérioration de l'équipement. Ces risques comprennent, sans s'y limiter : chaleur intense, environnements corrosifs et produits chimiques caustiques, lignes à haute tension, gaz explosifs ou toxiques, engins en mouvement, bords tranchants ou matériaux situés plus haut pouvant tomber et toucher l'utilisateur ou le dispositif antichute.
- 2.12 BORDS TRANCHANTS :** ne travaillez pas dans les endroits où la ligne de vie risque d'entrer en contact avec des bords tranchants non protégés, ou de frotter contre ceux-ci. Lorsque le contact avec une arête vive est possible, couvrez l'arête avec un matériau de protection.
- 2.13 HARNAIS DE MAINTIEN :** un harnais intégral doit être utilisé avec le dispositif Antichute à rappel automatique. Le point de raccordement du harnais doit être situé au-dessus du centre de gravité de l'utilisateur. Ne pas utiliser de ceinture de travail avec la ligne de vie auto-rétractable. En cas de chute la ceinture de travail peut se relâcher accidentellement et provoquer une éventuelle suffocation due à un soutien corporel insuffisant.
- 2.14 COMPATIBILITÉ DES COMPOSANTS :** sauf mention contraire, l'équipement Capital Safety est destiné à être utilisé uniquement avec des composants et des sous-systèmes homologués par Capital Safety. La substitution ou le remplacement de pièces par des composants ou des sous-composants non approuvés peut compromettre la compatibilité de l'équipement et affecter la sécurité et la fiabilité de l'ensemble du système.

**IMPORTANT :** lisez et suivez les instructions du fabricant des composants et sous-systèmes associés à votre dispositif antichute individuel.

- 2.15 COMPATIBILITÉ DES CONNECTEURS :** les connecteurs sont considérés comme compatibles avec les éléments de raccordement lorsqu'ils ont été conçus de sorte que ni leur taille ni leur forme ne provoquent l'ouverture spontanée de leur mécanisme, quelle que soit leur orientation. Contacter Capital Safety pour toute question concernant la compatibilité.

Les connecteurs utilisés pour suspendre le dispositif Antichute à rappel automatique doivent être conformes à la norme EN362. Les connecteurs doivent être compatibles avec l'ancrage ou tout autre composant du dispositif. Ne pas utiliser un équipement non compatible. Les connecteurs non compatibles peuvent se désengager accidentellement (voir la figure 4). Les connecteurs doivent être compatibles par leur taille, leur forme et leur résistance. Des crochets mousquetons à verrouillage automatique et des mousquetons sont requis. Si l'élément de raccordement est doté d'un crochet mousqueton ou d'un mousqueton trop petit ou de forme irrégulière, il se peut que l'élément de raccordement applique une force sur le mécanisme d'ouverture du mousqueton ou du crochet mousqueton (A). Cette force pourrait entraîner l'ouverture du mécanisme (B) et provoquer le détachement du crochet mousqueton ou du mousqueton de son point de raccordement (C).

- 2.16 ÉTABLISSEMENT DE CONNEXIONS :** les crochets mousquetons et les mousquetons utilisés avec cet équipement doivent être auto-bloquants. Vérifier que toutes les connexions sont compatibles en taille, en forme et en résistance. Ne pas utiliser un équipement non compatible. Vérifier que tous les connecteurs sont fermés et verrouillés.

Les connecteurs Capital Safety (crochets mousquetons et mousquetons) sont conçus pour être utilisés conformément au mode d'emploi de chaque produit. La figure 5 montre quelques exemples de raccords inappropriés. Ne pas raccorder les crochets mousquetons et les mousquetons :

- à un D d'accrochage auquel un autre connecteur est attaché ;
- d'une manière qui provoquerait une charge sur l'ouverture ;
- dans une configuration défectueuse où des éléments dépassant du crochet mousqueton ou du mousqueton s'accrochent à l'ancrage et où on pourrait penser, sans confirmation visuelle, que la fixation au point d'ancrage est correcte ;
- l'un à l'autre ;
- directement à des sangles, à une longe ou à un point d'ancrage (à moins que les instructions du fabricant pour la longe et le connecteur n'autorisent spécifiquement ce type de raccordement) ;
- à un objet ayant une forme ou une dimension empêchant la fermeture et le verrouillage du crochet mousqueton ou du mousqueton, ou risquant de provoquer un désengagement ;
- d'une manière qui ne permet pas le bon alignement du connecteur lorsqu'il est sous charge.



### 3.0 INSTALLATION

**3.1 PRÉPARATION :** préparez le dispositif antichute avant de commencer à travailler. Prenez en compte tous les facteurs qui pourraient affecter la sécurité avant, pendant et après une chute. Prenez en considération toutes les caractéristiques et limites définies dans la section 2.

**IMPORTANT :** dans la plupart des applications, la Rebel SRL peut être raccordée à l'ancrage ou à la position dorsale du harnais. Les deux orientations sont autorisées.

### 3.2 ANCRAGE :

la figure 6 illustre les connexions d'ancrage habituelles du dispositif Antichute à rappel automatique :

<b>A</b>	Ancrage	<b>B</b>	Connecteur	<b>C</b>	Fixation universelle
----------	---------	----------	------------	----------	----------------------

Sélectionnez un endroit d'ancrage impliquant le plus petit risque possible de chute libre ou d'effet pendulaire (voir la section 2). Choisissez un point d'ancrage rigide capable de supporter les charges statiques définies dans la section 2.3. Les dispositifs Antichute à rappel automatique Rebel doivent toujours être ancrés au niveau de l'anneau en D dorsal du harnais ou au-dessus de celui-ci.

**IMPORTANT :** il est recommandé d'installer cet équipement sous la supervision d'une personne qualifiée.

### 3.3 OPTIONS DE MONTAGE DU HARNAIS :

**Montage d'un seul dispositif Antichute à rappel automatique sur un harnais intégral :** le dispositif Antichute à rappel automatique Rebel peut être raccordé à l'anneau en D dorsal du harnais à l'aide d'un mousqueton ou d'un crochet mousqueton. (voir figure 8, exemples de raccordement 1 et 2). Certains modèles Rebel sont équipés d'un mousqueton. Tous sont équipés d'un crochet mousqueton.

Connectez l'émerillon (composants Rebel identifiés sur la figure 2) à l'anneau en D du harnais à l'aide du mousqueton associé à certains modèles Rebel (ou utilisez un raccordement adapté) ou utilisez le crochet mousqueton pour raccorder l'anneau en D. L'extrémité opposée de la corde Rebel doit être raccordée à un point d'ancrage (voir section 2.3) à l'aide d'un mousqueton inclus (ou d'un raccordement adapté) ou du crochet mousqueton inclus.

**Montage de deux dispositifs Antichute à rappel automatique sur un harnais à l'aide d'un mousqueton :** certains modèles Rebel Antichute à rappel automatique sont équipés d'un mousqueton (identifié sur la figure 2) qui permet de raccorder deux Rebel à un harnais intégral lorsque les installations d'escalade nécessitent un arrimage à 100 %. Le mousqueton maintient deux Rebel SRL côte à côte juste au-dessous de l'anneau en D dorsal du harnais. (Voir figure 8, exemple de raccordement 3)

Pour monter deux Rebel SRL sur un harnais intégral à l'aide du mousqueton : (Voir figure 7. A - Sangles ; B - Anneau en D dorsal ; C - Émerillon,)

**Étape 1 : Desserrer la sangle du harnais :** tirer les sangles (A) qui passent par le bas de l'anneau en D dorsal (B) jusqu'à ce que l'espace soit suffisant pour glisser le mousqueton entre les sangles et la plaque de l'anneau en D.

**Étape 2 : Ouvrir le mousqueton à triple action :** soulever la clavette du mousqueton (1) et la tourner à 45 degrés (2) pour aligner la rainure de la clavette avec l'armature du mousqueton. Pousser la clavette (3) vers l'intérieur pour ouvrir le mousqueton.

**Étape 3 : Monter la première Rebel SRL sur le mousqueton :** insérer le mousqueton à travers l'émerillon (C) du dispositif Antichute à rappel automatique.

**Étape 4 : Insérer le mousqueton à travers les sangles :** en gardant la clavette du mousqueton ouverte, l'insérer derrière les sangles. Tourner le mousqueton derrière les sangles jusqu'à ce que le mousqueton entoure les sangles et que la première Rebel du dispositif Antichute à rappel automatique soit positionnée à droite du mousqueton.

**Étape 5 : Monter la seconde Rebel SRL sur le mousqueton :** insérer le mousqueton à travers émerillon du second dispositif Antichute à rappel automatique. Placer le second dispositif Antichute à rappel automatique à gauche de la clavette du mousqueton.

**Étape 6 : Laisser la clavette du mousqueton se refermer et la verrouiller.**

**Vérifier le montage des deux :** lorsqu'elles sont montées correctement, le mousqueton doit traverser les sangles (A) et les émerillons du dispositif Antichute à rappel automatique doivent être fixés de chaque côté de la clavette du mousqueton. Tirer de nouveau les sangles (A) à travers l'anneau en D dorsal et la plaque de l'anneau en D pour éviter le relâchement de la sangle et fixer le mousqueton entre les sangles et la plaque de l'anneau en D.

## 4.0 UTILISATION

**AVERTISSEMENT** : ne pas modifier ni intentionnellement utiliser l'équipement pour un usage auquel il n'est pas destiné. Consulter Capital Safety en cas d'utilisation de ce matériel avec des composants ou sous-systèmes autres que ceux décrits dans ce manuel. Certaines combinaisons de sous-systèmes et de composants peuvent gêner le fonctionnement de cet équipement. Utilisez ce matériel avec précaution en cas de proximité avec des engins en mouvement, de dangers électriques, de dangers chimiques, de rebords tranchants ou de matériaux situés plus haut pouvant tomber sur la ligne de vie. N'enroulez pas la ligne de vie autour d'éléments structurels de petit diamètre. Le non-respect de cet avertissement peut entraîner des dysfonctionnements de l'équipement, des blessures graves, voire mortelles.

**AVERTISSEMENT** : consultez votre médecin en cas de doute sur votre capacité à supporter le choc d'un arrêt de chute. L'âge et la condition physique affectent sérieusement la capacité d'un ouvrier à résister aux chutes. Les femmes enceintes ou les personnes mineures ne doivent pas utiliser les lignes de vie auto-rétractables.

- 4.1 AVANT CHAQUE UTILISATION** : avant chaque utilisation de cet équipement de protection antichute, effectuez une inspection minutieuse afin de vous assurer qu'il est en bon état de fonctionnement. Inspecter le matériel pour détecter toute pièce usée ou endommagée. Assurez-vous que tous les éléments de fixation sont présents et fixés. Vérifiez que la ligne de vie se rétracte correctement en la tirant et en la laissant se rétracter lentement. En cas d'hésitation lors de la rétraction, mettez le dispositif Antichute à rappel automatique hors service, apposez-y la mention « *INUTILISABLE* » et mettez-le au rebut selon les recommandations (voir « *Section 5.4 - Mise au rebut* »). Inspectez la ligne de vie afin de détecter toutes traces de coupure, d'effilochage, de brûlure, d'écrasement et de corrosion. Vérifiez l'action de verrouillage en tirant brusquement sur la sangle. Reportez-vous à la section 5 pour plus d'informations concernant l'inspection.
- 4.2 APRÈS UNE CHUTE** : tout équipement ayant subi une force d'arrêt lors d'une chute ou présentant des dommages révélant les effets de forces antichute tels que décrits dans la section 5 doit immédiatement être mis hors service, être marqué comme « *INUTILISABLE* » et mis au rebut de la manière recommandée (voir la « *Section 5.4 - Mise au rebut* »).
- 4.3 SOUTIEN DU CORPS** : vous devez porter un harnais intégral lors de l'utilisation des Rebel. Pour une protection antichute générale, raccordez-les au D d'accrochage (dorsal). Dans certaines situations, comme l'escalade d'une échelle, il peut se révéler utile de l'attacher à l'avant du harnais au-dessus du centre de gravité du travailleur. Ce cas de figure est acceptable, à condition que l'éventuelle chute libre soit à une distance inférieure à 2 pieds (0,6 m) et que la remise sur pied puisse être facilement rétablie.

**IMPORTANT** : n'utilisez pas de ceinture de travail pour les applications de chute libre. Voir les directives OSHA 1926 502.

- 4.4 ÉTABLISSEMENT DE CONNEXIONS** : la figure 8 illustre le harnais et les raccords d'ancrage pour les Rebel SRL dispositifs antichute. En cas d'utilisation d'un crochet pour effectuer un raccordement, vérifiez qu'il n'y a pas de risque de désengagement (voir la figure 4). N'utilisez pas de crochets ou connecteurs qui ne se referment pas complètement sur l'élément de fixation. Utilisez exclusivement des crochets mousquetons sans blocage. L'ancrage doit respecter les exigences de résistance d'ancrage énoncées dans la section 2.3. Suivez les instructions du fabricant fournies avec chaque composant du système.
- 4.5 FONCTIONNEMENT** : avant de l'utiliser, inspectez le dispositif Antichute à rappel automatique comme cela est décrit dans la section 5.0. La figure 8 montre les raccordements du système pour les applications Rebel SRL habituelles. Raccorder le Rebel dispositif Antichute à rappel automatique à un ancrage approprié ou monter le dispositif Antichute à rappel automatique à l'arrière d'un harnais intégral selon l'instruction de la section 3. Sur des raccordées à un ancrage, raccorder le crochet ou le mousqueton de l'indicateur de charge à l'anneau en D dorsal du harnais intégral. Sur les dispositifs Antichute à rappel automatique montés sur le harnais, attachez le crochet mousqueton ou le mousqueton à un ancrage approprié. Toutes les fixations doivent être compatibles en matière de taille, de forme et de force. Vérifiez que les mousquetons sont fermés et verrouillés. Une fois attaché, l'ouvrier est libre de circuler à l'intérieur de la zone de travail recommandée à une vitesse normale. En cas de chute, le dispositif Antichute à rappel automatique se bloque et arrête la chute. À l'issue du sauvetage, ne plus utiliser le dispositif Antichute à rappel automatique. Lors de l'utilisation d'un dispositif Antichute à rappel automatique, laissez toujours la ligne de vie se ré-enrouler dans le dispositif.

**AVERTISSEMENT** : n'attachez pas et ne nouez pas la ligne de vie. Évitez de mettre la ligne de vie en contact avec des surfaces tranchantes ou abrasives. Inspectez fréquemment la ligne de vie pour y détecter des coupures, effilochages, brûlures ou signes de dommage chimique. La saleté, les agents contaminants et l'eau peuvent réduire les propriétés diélectriques de la ligne de vie. Faites preuve de prudence à proximité des lignes électriques.

- 4.6 ARRIMAGE À 100 % DE L'INTERFACE DOUBLE** : lorsque deux Rebel SRL sont montées côte à côte à l'arrière d'un harnais intégral, le dispositif antichute de l'Antichute à rappel automatique peut être utilisé pour assurer une protection constante contre les chutes (arrimage à 100 %) lorsque l'utilisateur

monte, descend ou se déplace latéralement. La patte de la ligne de vie d'un dispositif Antichute à rappel automatique étant attachée à un point d'ancrage, l'ouvrier peut se rendre à un nouvel endroit, raccorder la patte de la ligne de vie inutilisée du deuxième dispositif Antichute à rappel automatique à un autre point d'ancrage, puis se détacher du point d'ancrage initial. (voir figure 9A) Cette séquence est répétée jusqu'à ce que l'ouvrier parvienne à l'endroit désiré. Les mises en garde concernant les applications de l'arrimage à 100 % avec une double application sont les suivantes :

- Ne raccordez jamais Botheration SRL Lifelines til mêmes points d'ancrage. (Voir figure 9B)
- Le raccordement de chacune des lignes de vie à un point d'ancrage distinct est acceptable. (voir figure 9C)
- Ne jamais raccorder plus d'une personne à la fois au système bipède. (voir figure 9D)
- Ne pas laisser les lignes de vie s'emmêler car cela pourrait gêner le rappel automatique.
- Ne jamais faire passer la ligne de vie sous les bras ou entre les jambes pendant l'utilisation.

**4.7 SYSTÈMES HORIZONTAUX :** dans des installations où la Rebel SRL est utilisée conjointement avec un système horizontal (c'est-à-dire une ligne de vie horizontale, un chariot pour poutre en I horizontal), le dispositif Antichute à rappel automatique et les composants du système horizontal doivent être compatibles. Les systèmes horizontaux doivent être conçus et installés sous le contrôle d'un ingénieur agréé. Consultez les instructions du fabricant de l'équipement des systèmes horizontaux pour plus de détails.

## 5.0 INSPECTION

**5.1 FRÉQUENCE DES INSPECTIONS :** la Rebel SRL doit être inspectée à des intervalles définis dans la « section 2.5 - Fréquence des inspections ». Les procédures d'inspection sont décrites dans la « Liste de contrôle d'inspection » (tableau 2).

**5.2 ÉTAT DANGEREUX OU DÉFECTUEUX :** si une inspection révèle un état dangereux ou défectueux, mettez le dispositif Antichute à rappel automatique hors service, apposez-y la mention « *INUTILISABLE* », puis mettez-le au rebut de la manière recommandée (voir « Section 5.4 - Mise au rebut »).

**5.3 CYCLE DE VIE DU PRODUIT :** la durée de vie fonctionnelle des Rebel est déterminée par les conditions de travail et l'entretien. Le dispositif peut rester en service tant qu'elle répond aux critères d'inspection.

**5.4 MISE AU REBUT :** mettre au rebut la Rebel SRL si elle a été soumise à une force de chute ou si l'inspection indique qu'elle est défectueuse ou défaillante. Avant sa mise au rebut du dispositif Antichute à rappel automatique, couper l'indicateur de charge de la ligne de vie ou mettre hors d'état de fonctionnement le dispositif Antichute à rappel automatique pour éviter tout risque de réutilisation par inadvertance.

## 6.0 MAINTENANCE, ENTRETIEN ET ENTREPOSAGE

**6.1 NETTOYAGE :** les procédures de nettoyage du dispositif RebelAntichute à rappel automatique sont les suivantes :

- Nettoyez périodiquement l'extérieur du dispositif Antichute à rappel automatique avec de l'eau et une solution de savon doux. Positionnez le dispositif Antichute à rappel automatique de façon à ce que l'eau puisse s'écouler. Nettoyez les étiquettes si nécessaire.
- Nettoyez la ligne de vie avec de l'eau et un détergent doux. Rincez et faites sécher à l'air. Ne faites pas sécher à l'aide d'une source de chaleur. Avant de la laisser se rétracter dans le carter, la ligne de vie doit être sèche. Une accumulation excessive de saleté, de peinture ou d'autres contaminants peut empêcher la ligne de vie de se rétracter complètement dans le carter, entraînant un risque de chute libre.

**IMPORTANT :** en cas de contact de la ligne de vie avec des acides ou d'autres produits chimiques caustiques, mettez le dispositif Antichute à rappel automatique hors service et nettoyez-le avec de l'eau et un détergent doux. Inspectez le dispositif Antichute à rappel automatique conformément au tableau 2 avant de le remettre en service.

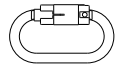
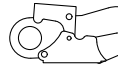
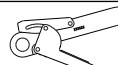

**6.2 ENTRETIEN :** Rebel es dispositifs Antichute à rappel automatique Rebel ne sont pas réparables. Si le dispositif Antichute à rappel automatique a été soumis à des forces antichute ou si l'inspection révèle un état défectueux ou défaillant, mettez-le hors service, apposez-y la mention « *INUTILISABLE* » et mettez-le au rebut de la manière recommandée (voir « Section 5.4 - Mise au rebut »).

**6.3 ENTREPOSAGE :** entreposer les dispositifs Rebel Antichute à rappel automatique dans un endroit frais, sec et propre, à l'abri des rayons directs du soleil. Évitez les endroits pouvant contenir des vapeurs chimiques. Inspectez soigneusement le dispositif Antichute à rappel automatique après toute période de stockage prolongée.

## 7.0 SPÉCIFICATIONS

**7.1 PERFORMANCES :** votre Rebel SRL a été testée et certifiée conformément aux exigences de performance des normes indiquées sur la couverture de ce manuel d'utilisation. Voir la « Section 2.0 - Limites et pré-requis » pour les spécifications de la performance.

**7.2 MATÉRIAUX :** les spécifications de matériaux de la Rebel SRL sont les suivantes :

<b>Carter :</b>	Nylon, résistant aux UV	<b>Ressort moteur :</b>	Acier inoxydable		
<b>Touret :</b>	Nylon, type 6/6	<b>Tourillon :</b>	Acier zingué		
<b>Attaches :</b>	Vis en acier zingué ; rivets en acier inoxydable	<b>Ligne de vie :</b>	Matériau polyester		
<b>Cliquets de verrouillage :</b>	Acier inoxydable	<b>Indicateur de charge</b>	Couvercle : Tubes en PVC Tissage : Polyester		
<b>Arbre principal :</b>	Acier inoxydable				
<b>Connecteurs d'extrémité :</b> (Voir figure 1)	Ouverture			Résistance de la fermeture	
	C		Mousqueton en acier	3/4 de pouce (19 mm)	3 600 lbf (16 kN)
	D		Crochet mousqueton en acier	3/4 de pouce (19 mm)	225 lbf (1 kN)
	E		Mousqueton automatique en acier	2,1/4 de pouce (57 mm)	3 600 lbf (16 kN)
	F		Crochet mousqueton en acier	3/4 de pouce (19 mm)	3,600 lbf (16 kN)

**7.3 ÉTIQUETAGE :** la figure 10 illustre l'étiquetage du dispositif Antichute à rappel automatique Rebel. Toutes les étiquettes doivent être présentes et entièrement lisibles.

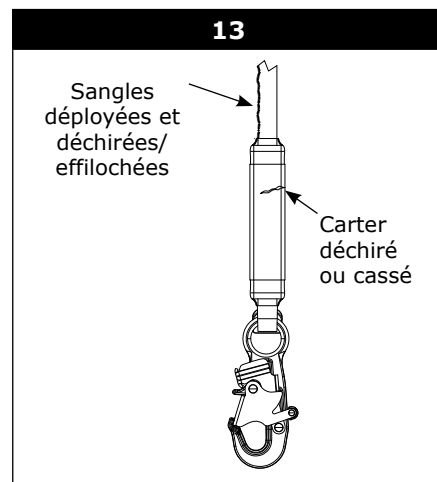
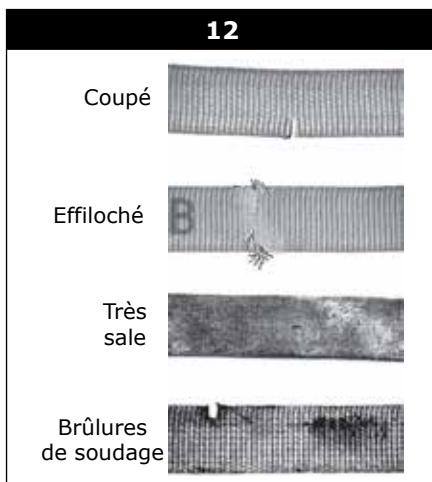
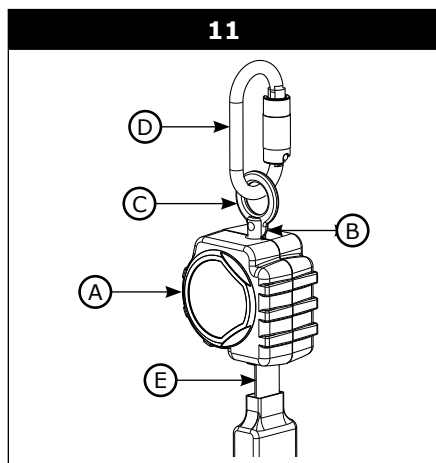
<b>1</b>	Inspecter visuellement le dispositif. Lire les instructions.
<b>2</b>	Inspecter l'action de verrouillage du dispositif Antichute à rappel automatique. Un utilisateur maximum.
<b>3</b>	Manière correcte de connecter le dispositif Antichute à rappel automatique au harnais.
<b>4</b>	Peut-être raccordé à un point d'ancrage situé au-dessus de l'anneau en D dorsal ou à son niveau. 310 livres (140 kg) maximum.
<b>5</b>	Plage de température d'utilisation : de -40 °C à +60 °C.
<b>6</b>	Capacité maximale 140 kg.
<b>7</b>	Toujours laisser la ligne de vie se ré-enrouler dans le dispositif Antichute à rappel automatique sous contrôle.
<b>8</b>	Ne pas réparer.
<b>9</b>	Entreposer à l'intérieur.
<b>10</b>	Ne pas placer le carter du dispositif Antichute à rappel automatique sur une arête lors de l'utilisation.
<b>11</b>	Ne pas enlever l'étiquette.

**Tableau 2 : Liste de contrôle d'inspection**

<b>Composant :</b>	<b>Inspection :</b>	<b>Réussite</b>	<b>Échec</b>
Antichute à rappel automatique (Figure 11)	Vérifiez que les fixations ne sont pas desserrées et que les pièces ne sont ni endommagées ni tordues.	<input type="checkbox"/>	<input type="checkbox"/>
	Inspectez le carter (A) pour détecter les déformations, craquelures ou autres détériorations.	<input type="checkbox"/>	<input type="checkbox"/>
	Inspecter le tourillon (B), l'émerillon (C) et le mousqueton (D) pour détecter les déformations, craquelures ou autres détériorations. Le tourillon doit être bien attaché au dispositif Antichute à rappel automatique, mais doit tourner librement. L'émerillon ou le connecteur entier doit tourner librement dans le tourillon.	<input type="checkbox"/>	<input type="checkbox"/>
	La ligne de vie (E) doit se dérouler et se rétracter entièrement sans hésitation et sans qu'il y ait de mou dans la ligne.	<input type="checkbox"/>	<input type="checkbox"/>
	S'assurer que la SRL se bloque lorsque la ligne de vie est secouée violemment. Le blocage doit être franc, sans aucun glissement.	<input type="checkbox"/>	<input type="checkbox"/>
	Toutes les étiquettes doivent être présentes et entièrement lisibles (voir figure 10).	<input type="checkbox"/>	<input type="checkbox"/>
	Inspecter la totalité de la SRL pour détecter les signes de corrosion.	<input type="checkbox"/>	<input type="checkbox"/>
Ligne de vie (Figure 12)	Inspecter la ligne de vie pour y détecter une concentration d'usure, des torons éraillés, des fils brisés, des brûlures, des coupures et des abrasions. La ligne de vie doit être exempte de nœuds sur toute sa longueur. Recherchez les saletés excessives, l'accumulation de peinture et les traces de rouille. Vérifiez l'absence de dommages chimiques ou thermiques visibles par des parties brunes, décolorées ou effritées. Vérifiez les dommages dus aux ultraviolets visibles par la décoloration et la présence d'éclats et d'écailles à la surface des sangles.	<input type="checkbox"/>	<input type="checkbox"/>

**Tableau 2 : Liste de contrôle d'inspection**

<b>Composant :</b>	<b>Inspection :</b>	<b>Réussite</b>	<b>Échec</b>
Indicateur de charge (Figure 13)	Inspectez l'indicateur de charge pour déterminer s'il a été activé. Il ne doit pas y avoir d'élongation visible et le capot doit être fixé et exempt de fissures ou de dommages.	<input type="checkbox"/>	<input type="checkbox"/>
Connecteurs d'extrémité (Figure 1)	La figure 1 identifie les connecteurs d'extrémité qui peuvent être joints à votre modèle Rebel SRL. Inspectez les crochets mousquetons, les mousquetons, les mousquetons automatiques, etc. pour y détecter des signes de détérioration et de corrosion et vous assurer de leur bon état de fonctionnement. Si ces signes sont présents : les tourillons doivent tourner librement, puis le mousqueton et les ouvertures doivent s'ouvrir, se fermer, se verrouiller et se déverrouiller correctement.	<input type="checkbox"/>	<input type="checkbox"/>



**JOURNAL D'INSPECTION ET D'ENTRETIEN**

<b>NUMÉRO DE SÉRIE :</b>	
<b>NUMÉRO DE MODÈLE :</b>	
<b>DATE D'ACHAT :</b>	<b>DATE DE PREMIÈRE UTILISATION :</b>

<b>DATE D'INSPECTION</b>	<b>POINTS D'INSPECTION NOTÉS</b>	<b>MESURE CORRECTIVE</b>	<b>ENTRETIEN EFFECTUÉ</b>
Approuvé par :			
Approuvé par :			
Approuvé par :			
Approuvé par :			
Approuvé par :			
Approuvé par :			



**AVVERTENZA:** questo prodotto fa parte di un sistema anticaduta, un posizionamento operativo o un sistema di salvataggio. Per ogni componente del sistema, l'utente deve attenersi alle istruzioni del produttore. Fornire le presenti istruzioni all'utente dell'attrezzatura. L'utente è tenuto a leggerle e comprenderle prima dell'uso dell'attrezzatura. Per il corretto uso e la corretta manutenzione dell'attrezzatura, attenersi alle istruzioni del produttore. Eventuali alterazioni o utilizzi non appropriati di questo prodotto o la mancata osservanza delle istruzioni possono causare gravi lesioni personali o la morte.

**IMPORTANTE:** in caso di dubbi sull'uso, la manutenzione o l'idoneità di queste attrezzature per l'applicazione desiderata, contattare Capital Safety.

**IMPORTANTE:** registrare le informazioni di identificazione del prodotto dall'etichetta di identificazione nel registro di manutenzione e di controllo del presente manuale.

## RIFERIMENTI DEL GLOSSARIO

I riquadri numerati di riferimento al glossario riportati sulla copertina anteriore di queste istruzioni fanno riferimento ai seguenti elementi:

- |  |   |
|--|---|
| ① Istruzioni per l'utente.                 | ④ Standard.   |
| ② Cavi di sicurezza autoretrattili Rebel™. | ⑤ Numero dell'organismo che ha eseguito il test CE.                                 |
| ③ Numeri modello: (Vedere la figura 1).    | ⑥ Numero dell'organismo di controllo che ha verificato la produzione di questo PPE. |

## DESCRIZIONI:

I dispositivi SRL Rebel sono cavi di sicurezza autoretrattili da 2,0 m, dotati di indicatore di carico in linea, che si retraggono in un alloggiamento termoplastico. I dispositivi SRL sono disponibili in più configurazioni che consentono il collegamento a un punto di ancoraggio, con montaggio singolo o doppio su un'imbracatura completa o attrezzatura simile (vedere la figura 1). Il dispositivo SRL Rebel™ si blocca automaticamente all'inizio della caduta per fermarla, ma rilascia e ritrae il cavo di sicurezza durante il normale movimento dell'utente collegato.

La figura 2 illustra i componenti chiave dei dispositivi SRL Rebel:

<b>A</b>	Perno	<b>B</b>	Occhio girevole	<b>C</b>	Moschettone (opzionale)	<b>D</b>	Alloggiamento
<b>E</b>	Cavo di sicurezza in tessuto	<b>F</b>	Indicatore di carico:	<b>G</b>	Gancio a doppia leva		

## 1.0 APPLICAZIONI

- 1.1 SCOPO:** I cavi di sicurezza autoretrattili SRL sono ideati per far parte di sistemi anticaduta personali. La figura 1 illustra i dispositivi SRL trattati in questo manuale di istruzione e le loro applicazioni tipiche. Possono essere utilizzati nella maggior parte delle situazioni in cui la mobilità del lavoratore e la protezione dalle cadute siano necessarie congiuntamente (lavoro di ispezione, costruzioni, manutenzione, produzione petrolifera, lavoro in spazi ristretti e così via).
- 1.2 STANDARD:** il presente dispositivo SRL è conforme agli standard nazionali segnalati nella foto sulla copertina di queste istruzioni.
- 1.3 ADESTRAMENTO:** L'attrezzatura deve essere utilizzata da operatori adeguatamente addestrati per il suo corretto impiego ed uso. È responsabilità dell'utente garantire l'approfondimento delle presenti istruzioni e la formazione in merito alla corretta manutenzione e all'utilizzo dell'attrezzatura. L'utente deve inoltre essere a conoscenza delle caratteristiche operative, dei limiti di applicazione e delle conseguenze derivanti da un uso improprio.

## 2.0 LIMITAZIONI E REQUISITI

Considerare sempre le seguenti limitazioni e i seguenti requisiti durante l'installazione o l'utilizzo del dispositivo:

- 2.1 CAPACITÀ:** il dispositivo SRL è progettato per essere impiegato da persone con un peso combinato (persona, abbigliamento, attrezzature e così via) non superiore a 140 kg e non inferiore a 34 kg.  
In nessun momento più di una persona dovrà collegarsi a un dispositivo SRL singolo per applicazioni anticaduta.
- 2.2 FORZA DI ARRESTO MASSIMA E DISTANZA DI ARRESTO MASSIMA:** I dispositivi SRL presentati in queste istruzioni sono conformi ai seguenti valori massimi di forza di arresto:

Peso del lavoratore	Fino a 140 kg
Forza di arresto media	4,0 kN
Forza di arresto massima	6,0 kN

- 2.3 ANCORAGGIO:** la struttura di ancoraggio per il dispositivo SRL deve essere in grado di sostenere un carico di 12 kN. I dispositivi di ancoraggio devono essere conformi alla normativa EN795.

**AVVERTENZA:** Il punto di ancoraggio deve essere collocato alla stessa altezza, o ad altezza superiore a quella in cui potrebbe avvenire una caduta. La mancata osservanza di questa avvertenza può provocare un malfunzionamento o causare gravi lesioni, anche mortali.

- 2.4 PIANO DI SALVATAGGIO:** Durante l'utilizzo del presente dispositivo, l'utente deve disporre di un piano di salvataggio, nonché dei mezzi per implementarlo. Deve inoltre comunicare tale piano a utenti, persone autorizzate e soccorritori.
- 2.5 FREQUENZA DI ISPEZIONE:** prima di ogni uso, i dispositivi SRL devono essere controllati dal personale autorizzato<sup>1</sup> o da un soccorritore<sup>2</sup>. Inoltre, le ispezioni devono essere condotte da una persona competente<sup>3</sup> diversa dall'utilizzatore, e da un'entità di ispezione autorizzata dal fabbricante. La persona competente deve impiegare la Pianificazione di ispezione (Tabella 1) per determinare gli intervalli di ispezione appropriati. Le procedure di ispezione sono descritte nella sezione "Checklist di ispezione"(Tabella 2). I risultati dell'ispezione della persona competente devono essere registrati nel "Registro di ispezione e manutenzione" nelle pagine finali di queste istruzioni.

**Tabella 1 - Piano d'ispezione**

Tipo di utilizzo	Esempi applicativi	Condizioni d'uso	Frequenza di ispezione		
			Persona competente	Autorizzato dal fabbricante	Utente
Da non frequente a leggero	Recupero e spazio limitato, manutenzione in fabbrica	Buone condizioni di stoccaggio, utilizzo in ambiente chiuso o aperto non frequente, temperatura ambiente, ambienti puliti	Annualmente	Almeno ogni 2-5 anni, ma non oltre gli intervalli richiesti dal produttore	Prima di ciascun uso
Da moderato a pesante	Trasporto, edilizia residenziale, utenze, magazzino	Condizioni di stoccaggio adeguate, utilizzo in ambienti chiusi e all'esterno per un periodo di tempo prolungato, differenti temperature, ambienti più o meno puliti	Da semestrale a annuale	Almeno ogni 1-2 anni, ma non oltre gli intervalli richiesti dal produttore	Prima di ciascun uso
Da grave a continuo	Edilizia commerciale, petrolio e gas, attività mineraria	Condizioni di stoccaggio estreme, utilizzo in ambienti aperti prolungato o continuo, differenti temperature, ambienti sporchi	Da trimestrale a semestrale	Almeno ogni anno, ma non oltre gli intervalli richiesti dal produttore	Prima di ciascun uso

- 2.6 VELOCITÀ DI CHIUSURA:** Evitare situazioni che non consentano una traiettoria di caduta libera. Lavorare in spazi stretti o bloccati potrebbe impedire il raggiungimento della velocità di arresto adeguata del dispositivo SRL in caso di caduta. Lavorare su materiali a lento spostamento, come sabbia o sementi, potrebbe impedire il raggiungimento della velocità di arresto adeguata per bloccare il dispositivo SRL. È necessaria una traiettoria sgombra per garantire l'efficacia dell'arresto del dispositivo SRL.
- 2.7 FUNZIONAMENTO NORMALE:** Il normale funzionamento consentirà alla fune dispositivo di estendersi in tutta la sua lunghezza senza esitazioni e ritirarsi senza allentamenti durante il movimento del lavoratore a velocità normali. Qualora si verificasse una caduta, si attiverà un sistema di frenata con sensore di velocità arrestando la caduta e assorbendo la maggior parte dell'energia creata. Per le cadute in prossimità del lato terminale del cavo di sicurezza, un sistema di sicurezza di riserva o un indicatore di carico è stato incorporato per ridurre l'impatto della caduta. Se il dispositivo SRL è stato sottoposto a forze di caduta, rimuoverlo immediatamente, contrassegnarlo come "NON UTILIZZABILE" e smaltirlo nel modo consigliato (vedere la "Sezione 5.4 - Smaltimento"). Sono da evitare movimenti rapidi e improvvisi durante le normali operazioni lavorative poiché ciò può causare la chiusura del dispositivo SRL.
- 2.8 CADUTA LIBERA:** quando fornito di ancoraggio posto al di sopra del capo, il dispositivo SRL limiterà la distanza di caduta libera a 0,6 m o meno. Per evitare incrementi nelle distanze di caduta, ancorare il dispositivo SRL direttamente al di sopra dell'operatore. Evitare di lavorare in punti in cui la propria fune dispositivo potrebbe incrociarsi o aggrovigliarsi con quello di un altro lavoratore. Evitare di lavorare in luoghi dove potrebbero cadere degli oggetti e colpire la fune dispositivo, causando perdita di equilibrio o danni al cavo. Non permettere alla fune dispositivo di passare sotto le braccia o tra le gambe. Mai bloccare, annodare oppure ostacolare in alcun modo la fune dispositivo nel movimento retrattile o nella tensione. Evitare che il cavo sia lasco. **Non allungare il dispositivo SRL collegando un cordoncino o un componente simile senza aver consultato Capital Safety.**
- 2.9 TIRANTE D'ARIA DI CADUTA:** La figura 3A illustra il tirante d'aria di caduta richiesto in metri tra il livello di lavoro e l'ostacolo più vicino, per un utente con un peso totale fino a 140 kg. X = spazio tra il livello di lavoro e l'ostacolo più vicino. Assicurarsi che esista adeguato spazio libero nella caduta per evitare di urtare un oggetto. Non agganciare sotto l'anello a D dorsale dell'imbracatura. Se il lavoratore si trova in una posizione non direttamente al di sotto del punto di ancoraggio del dispositivo SRL, lo spazio libero richiesto e la distanza di caduta verticale saranno maggiori.
- 2.10 CADUTE CON PENDOLO:** le cadute in oscillazione si verificano quando il punto di ancoraggio non è esattamente al di sopra del punto in cui si verifica la caduta (vedere la figura 3B). La forza d'urto contro un oggetto durante una caduta con pendolo può causare gravi lesioni personali. In caso di caduta con pendolo, lo spazio di caduta verticale totale dell'utente sarà maggiore rispetto a una caduta verticale esattamente al di sotto del punto di ancoraggio, aumentando così il tirante d'aria di caduta e dell'area necessaria ad arrestare la caduta in piena sicurezza. Determinare il tirante d'aria di caduta necessario in base alla figura 3. X = spazio tra il livello di lavoro e l'ostacolo più vicino. Ridurre al minimo le cadute in oscillazione lavorando il più possibile sotto al punto di ancoraggio. Non consentire cadute con pendolo per evitare lesioni.

**1 Persona autorizzata:** una persona incaricata dal datore di lavoro di svolgere delle mansioni in un luogo in cui la persona sarà esposta a rischio di caduta.

**2 Soccorritore:** persona o persone diverse dal soggetto a rischio che agiscono per compiere un salvataggio assistito tramite il funzionamento del sistema di salvataggio.

**3 Persona competente:** individuo designato dal datore di lavoro come responsabile della diretta supervisione, implementazione e monitoraggio del programma di protezione anticaduta dei dipendenti. Individuo che, grazie a formazione e conoscenza, è in grado di individuare, valutare e affrontare i pericoli di caduta potenziali ed esistenti e che ha l'autorizzazione del datore di lavoro di mettere prontamente in atto azioni correttive nei confronti di tali pericoli.



- 2.11 PERICOLI:** L'utilizzo di questa attrezzatura in aree soggette a pericoli dell'ambiente circostante può richiedere precauzioni aggiuntive per ridurre la possibilità di lesioni per l'utente o danni all'attrezzatura. Tra i rischi possono esservi i seguenti (pur non essendo limitati a questi): calore elevato, sostanze chimiche caustiche, ambienti corrosivi, linee ad alta tensione, gas tossici o esplosivi, macchinari in movimento o bordi taglienti, nonché la presenza di materiali al di sopra dell'utente che possono cadere ed entrare in contatto con l'utente o con il sistema anticaduta.
- 2.12 BORDI TAGLIENTI:** Evitare di operare in posizioni in cui la fune dispositivo potrebbe entrare in contatto con o essere raschiato da bordi taglienti esposti. Se è possibile un contatto con un bordo tagliente, rivestire il bordo con materiale protettivo.
- 2.13 SUPPORTO PER IL CORPO:** per utilizzare il dispositivo SRL è necessario indossare una imbracatura integrale. Il punto di collegamento dell'imbracatura deve trovarsi al di sopra del centro di gravità dell'operatore. Durante l'utilizzo del dispositivo SRL non è consentito indossare cinture. In caso di caduta, l'impiego di una cintura in vita potrebbe provocare il rilascio involontario e portare all'eventuale soffocamento a causa del supporto per il corpo inadeguato.
- 2.14 COMPATIBILITÀ DEI COMPONENTI:** salvo laddove diversamente indicato, l'attrezzatura Capital Safety è progettata solo per l'utilizzo con componenti e sottosistemi approvati da Capital Safety. Eventuali sostituzioni con componenti o sottosistemi non approvati potrebbero compromettere la compatibilità delle apparecchiature e la sicurezza, nonché l'affidabilità di tutto il sistema.

**IMPORTANTE:** leggere e seguire le istruzioni del produttore per i componenti e i sottosistemi associati nel sistema d'arresto caduta utilizzato.

- 2.15 COMPATIBILITÀ DEI CONNETTORI:** I connettori sono considerati compatibili con gli elementi di collegamento quando sono progettati per essere utilizzati in modo che le rispettive forme e dimensioni non causino l'apertura involontaria dei meccanismi di chiusura, indipendentemente dal modo in cui si orientano. In caso di dubbi sulla compatibilità, contattare Capital Safety.

I connettori utilizzati per la sospensione dei dispositivi SRL devono essere conformi alla normativa EN362. I connettori devono essere compatibili con l'ancoraggio o altri componenti del sistema. Non utilizzare attrezzature non compatibili. I connettori non compatibili potrebbero sganciarsi involontariamente (vedere figura 4). I connettori devono essere compatibili per dimensioni, forma e potenza. I ganci a molla e i moschettoni autobloccanti sono obbligatori. Se l'elemento di collegamento a cui è agganciato un gancio a molla o un moschettone ha una forma irregolare o le dimensioni sono inferiori a quanto necessario, l'elemento di collegamento potrebbe applicare una forza al dispositivo di chiusura del gancio a molla o del moschettone. Tale forza potrebbe indurre l'apertura del dispositivo di chiusura (B) e, di conseguenza, il gancio a doppia leva o il moschettone potrebbe sganciarsi dal punto di collegamento (C).

- 2.16 ESECUZIONE DEI COLLEGAMENTI:** I ganci a doppia leva e i moschettoni utilizzati con questa attrezzatura devono disporre di un meccanismo di autobloccaggio. Accertarsi che i connettori siano di dimensioni, forma e resistenza compatibili. Non utilizzare attrezzature non compatibili. Accertarsi che tutti i connettori siano completamente chiusi e bloccati.

I connettori Capital Safety (ganci a doppia leva e moschettoni) sono progettati solo per l'utilizzo specificato nelle istruzioni d'uso di ciascun prodotto. Vedere la figura 5 per esempi di collegamenti non appropriati. Non collegare i ganci a doppia leva e i moschettoni come descritto:

- A. A un anello a D a cui è collegato un altro connettore.
- B. In modo tale da indurre un carico sul dispositivo di chiusura.
- C. In un falso aggancio, dove le caratteristiche che sporgono dal gancio a molla o dal moschettone si agganciano all'ancoraggio e senza conferma visiva che attesti il completo aggancio al punto di ancoraggio.
- D. Uno all'altro.
- E. Direttamente al nastro, al cordino di sicurezza o al collegamento diretto, a meno che le istruzioni del produttore relative al cordino di sicurezza e al connettore consentano specificatamente tale collegamento.
- F. A qualsiasi oggetto di forma o dimensione tale da impedire la chiusura e il blocco del gancio a molla o del moschettone o di causare il lancio.
- G. In un modo che non consente al connettore di allinearsi correttamente quando sotto carica.

### 3.0 INSTALLAZIONE

**3.1 PIANIFICAZIONE:** Pianificare il sistema di protezione anticaduta prima di iniziare i lavori. Considerare tutti i fattori che possono influire sulla propria sicurezza prima, durante e dopo una caduta. Prendere in considerazione tutti i requisiti e le limitazioni definite nella Sezione 2.

**IMPORTANTE:** nella maggior parte delle applicazioni, il dispositivo Rebel SRL può essere collegato all'ancoraggio o alla posizione dorsale dell'imbracatura. Sono permessi entrambi gli orientamenti.

### 3.2 ANCORAGGIO:

la figura 6 mostra le connessioni di ancoraggio per il dispositivo SRL tipico:

<b>A</b>	Ancoraggio	<b>B</b>	Connettore	<b>C</b>	Adattatore per connessione
----------	------------	----------	------------	----------	----------------------------

Selezionare una posizione di ancoraggio con rischio minimo di caduta libera e di caduta in oscillazione (vedere la Sezione 2). Selezionare un punto di ancoraggio rigido capace di sostenere i carichi statici come descritto nella Sezione 2.3. I dispositivi SRL Rebel devono essere sempre ancorati all'altezza o sopra l'anello a D dorsale dell'utente.

**IMPORTANTE:** si raccomanda di installare e utilizzare questa attrezzatura sotto la supervisione di una persona qualificata.

### 3.3 OPZIONI DI MONTAGGIO DELL'IMBRACATURA:

**Montaggio imbracatura integrale con dispositivo SRL singolo:** Il dispositivo SRL Rebel può essere connesso all'anello a D dorsale dell'imbracatura con un moschettone o un gancio a molla. (Vedere la figura 8, esempi di collegamento 1 e 2) Alcuni modelli Rebel comprendono un moschettone. Tutti i modelli comprendono un gancio a molla.

Connettere l'occhiello girevole (componenti Rebel identificati nella figura 2) all'anello a D sull'imbracatura mediante il moschettone incluso con alcuni modelli Rebel (oppure utilizzando un connettore di caratteristiche idonee), o usare il gancio a molla incluso per connettere l'anello a D. L'estremità opposta del dispositivo Rebel deve essere connessa a un punto di ancoraggio (vedere la Sezione 2.3) con un moschettone incluso (o altro connettore di caratteristiche idonee), oppure con il gancio a molla incluso.

**Montaggio sull'imbracatura di un dispositivo SRL doppio mediante un moschettone:** Alcuni modelli di dispositivi SRL Rebel comprendono un moschettone (identificato nella figura 2) che può connettere due dispositivi SRL Rebel a un'imbracatura integrale quando le applicazioni di salita richiedono il 100% di tie-off. Il moschettone monta due Rebel SRL affiancati appena sotto l'anello a D dorsale dell'imbracatura. (Vedere la figura 8, esempio di collegamento 3)

Per montare due Rebel SRL su un'imbracatura integrale con il moschettone: (Vedere la figura 7. A - Cinghie; B - Anello a D dorsale; C - Occhiello girevole, SRL)

**Fase 1: Allentare il cinghiaggio dell'imbracatura:** estrarre le cinghie (A) dove passano attraverso la parte inferiore dell'anello dorsale a D (B) fino a disporre di spazio sufficiente per inserire il moschettone tra le cinghie e l'imbottitura dell'anello a D.

**Fase 2: Aprire il moschettone a tripla azione:** Sollevare il dispositivo di chiusura del moschettone (1) e ruotarlo di 45 gradi (2) fino ad allineare la fessura nel dispositivo di chiusura con la struttura del moschettone. Premere il dispositivo di chiusura (3) verso l'interno per aprire il moschettone.

**Fase 3: Montare il primo Rebel SRL sul moschettone:** Inserire il moschettone attraverso l'occhiello girevole (C) sul dispositivo SRL.

**Fase 4: Inserire il moschettone attraverso le cinghie:** Con il dispositivo di chiusura del moschettone aperto, inserire il moschettone dietro le cinghie. Ruotare il moschettone dietro le cinghie in modo che il moschettone circondi le cinghie e il primo dispositivo SRL Rebel sia posizionato sul lato destro del moschettone.

**Fase 5: Montare il secondo Rebel SRL sul moschettone:** Inserire il moschettone attraverso l'occhiello girevole sul secondo dispositivo SRL. Posizionare il secondo dispositivo SRL sul lato sinistro del dispositivo di chiusura del moschettone.

**Fase 6: Chiudere e bloccare il dispositivo di chiusura del moschettone.**

**Verificare il montaggio di entrambi i dispositivi SRL:** Se montato correttamente, il moschettone deve passare attraverso le cinghie (A) e gli occhielli girevoli dei dispositivi SRL devono essere assicurati su un lato del dispositivo di chiusura del moschettone. Tirare le cinghie (A) attraverso l'anello dorsale a D e la sua imbottitura per eliminare allentamenti nel cinghiaggio e fissare il moschettone tra le cinghie e l'imbottitura dell'anello a D.

## 4.0 USO

**AVVERTENZA:** non alterare o utilizzare intenzionalmente in modo inappropriato l'attrezzatura. Consultare Capital Safety in caso di utilizzo dell'attrezzatura insieme ad altri componenti o sottosistemi diversi da quelli descritti nel presente manuale. Alcune combinazioni di sottosistemi e componenti potrebbero compromettere il funzionamento dell'attrezzatura. Prestare attenzione durante l'utilizzo dell'attrezzatura in presenza di macchinari in movimento, rischi di carattere elettrico, sostanze chimiche pericolose, bordi taglienti o materiali sospesi che potrebbero cadere sulla fune dispositivo. Non avvolgere la fune dispositivo intorno a componenti strutturali di piccolo diametro. La mancata osservanza di questa avvertenza può provocare un malfunzionamento o causare gravi lesioni, anche mortali.

**AVVERTENZA:** consultare un medico per accertarsi di essere fisicamente in grado di sopportare l'urto dovuto a un'eventuale caduta. L'età e la forma fisica possono ripercuotersi notevolmente sulla capacità di assorbire le cadute. Le donne in gravidanza o i minori non devono utilizzare i dispositivi anticaduta retrattili.

- 4.1 PRIMA DI OGNI USO:** Prima di utilizzare l'attrezzatura anticaduta, ispezionarla attentamente per verificare che sia in condizioni idonee all'uso. Controllare che non vi siano parti usurate o danneggiate. Assicurarsi che tutti i dispositivi di fissaggio siano presenti e ben fissati. Verificare che la fune dispositivo si riavvolga correttamente tirandolo e lasciando che si riavvolga lentamente. In caso di esitazione durante la fase di ritrazione, rimuovere il dispositivo SRL dal servizio, contrassegnarlo come "NON UTILIZZABILE" e smaltirlo nel modo consigliato (vedere la "Sezione 5.4 - Smaltimento"). Verificare l'assenza di tagli, sfilacciature, bruciature, schiacciamenti e corrosioni. Controllare l'azione di bloccaggio tirando fermamente il cavo. Per maggiori dettagli sull'ispezione, consultare la Sezione 5.
- 4.2 DOPO UNA CADUTA:** qualsiasi attrezzatura sottoposta agli sforzi implicati dall'arresto di una caduta o che mostri danni conformi con l'effetto degli sforzi di arresto di una caduta, come descritto nella Sezione 5, deve essere immediatamente ritirata dal servizio, contrassegnata come "NON UTILIZZABILE" e smaltita nel modo consigliato (vedere la "Sezione 5.4 - Smaltimento").
- 4.3 SUPPORTO PER IL CORPO:** Quando si utilizzano i dispositivi RebelSRL, è necessario indossare un'imbracatura integrale. Per un utilizzo generico di protezione anticaduta, collegare l'anello a D sul retro (dorsale). Per situazioni di salita su scale, può essere utile collegare il lato anteriore dell'imbracatura al di sopra del centro di gravità dell'operatore. Tale accorgimento è accettabile purché l'eventuale caduta libera sia inferiore a 0,6 m e sia possibile mettere i piedi a terra facilmente.

**IMPORTANTE:** non utilizzare una cintura per applicazioni di caduta libera. Vedere OSHA 1926.502 per linee guida.

- 4.4 REALIZZAZIONE DELLE CONNESSIONI:** La figura 8 illustra i collegamenti per l'ancoraggio e l'imbracatura per i sistemi anticaduta Rebel SRL. Quando si utilizza un gancio per fare una connessione, verificare che non vi siano fuoriuscite (vedere la figura 4). Non usare ganci o connettori che non si chiudono completamente sopra gli oggetti da agganciare. Non utilizzare ganci a doppia leva privi di bloccaggio. L'ancoraggio deve essere conforme ai requisiti relativi alla forza di ancoraggio previsti nella Sezione 2.3. Rispettare le istruzioni fornite dal produttore con ogni componente del sistema.
- 4.5 FUNZIONAMENTO:** Prima dell'utilizzo, ispezionare il dispositivo SRL come descritto nella Sezione 5.0. La figura 8 mostra le connessioni del sistema per le applicazioni Rebel SRL tipiche. Collegare il dispositivo Rebel a un ancoraggio idoneo o montarlo sul retro dell'imbracatura integrale secondo le istruzioni riportate nella Sezione 3. Sui dispositivi SRL collegati all'ancoraggio, collegare il gancio o moschettone sull'indicatore di carico all'anello dorsale a D sull'imbracatura integrale. Sui dispositivi SRL montati sull'imbracatura, collegare il gancio o moschettone a un ancoraggio idoneo. Verificare che le connessioni siano compatibili per dimensioni, forma e resistenza. Assicurarsi che i ganci siano perfettamente chiusi e bloccati. Una volta attaccato, il lavoratore è libero di spostarsi all'interno delle aree di lavoro consigliate a velocità normale. In caso di caduta, il dispositivo SRL la bloccherà e arresterà. Dopo un salvataggio, rimuovere il dispositivo SRL dall'uso. Quando si lavora con un dispositivo SRL, consentire sempre al cavo di sicurezza di riavvolgersi nel dispositivo sotto controllo.

**AVVERTENZA:** non legare o annodare la fune dispositivo. Evitare che la fune dispositivo entri in contatto con superfici affilate o abrasive. Ispezionare frequentemente la fune dispositivo per verificare che non siano presenti tagli, sfilacciature, bruciature o segni di danni dovuti a sostanze chimiche. Lo sporco, i contaminanti e l'acqua possono limitare le proprietà dielettriche della fune dispositivo. Utilizzare la massima cautela in prossimità di linee ad alta tensione.

- 4.6 INTERFACCIA A FORCELLA CON 100% TIE-OFF:** quando i due Rebel SRL sono montati affiancati sul retro di un'imbracatura integrale, il sistema anticaduta può essere utilizzato per una protezione continua (100% Tie-off) durante la salita, la discesa o lo spostamento laterale. Con il montante di un dispositivo SRL fissato a un punto di ancoraggio, l'operatore ha la possibilità di spostarsi verso un nuovo punto, collegare il montante del cavo di sicurezza inutilizzato dell'altro dispositivo SRL a un altro punto di ancoraggio e scollegarlo poi dal punto di ancoraggio originale. (vedere la figura 9A) La sequenza viene ripetuta dall'operatore fino al raggiungimento della posizione desiderata. Di seguito vengono riportate alcune considerazioni per applicazioni a doppio montante 100% tie-off:
- Non collegare Uffa SRL Lifelines til stessi punti di ancoraggio. (Vedi Figura 9B)
  - È possibile collegare ciascun montante della fune dispositivo a un punto di ancoraggio diverso. (Vedi Figura 9C)
  - Non collegare mai più di una persona alla volta a un sistema a doppio montante. (Vedi Figura 9D)
  - Non incrociare o intrecciare le funi dispositivo per non ostruire la loro ritrazione.
  - Non far passare le funi dispositivo sotto braccia o gambe durante l'uso.

**4.7 SISTEMI ORIZZONTALI:** nelle applicazioni in cui il Rebel SRL viene usato insieme a un sistema orizzontale (ad esempio sistemi anticaduta orizzontali, travi a I e carrelli orizzontali), i componenti del dispositivo SRL e del sistema orizzontale devono essere compatibili. I sistemi orizzontali devono essere progettati e installati sotto la supervisione di un tecnico qualificato. Per dettagli, consultare le istruzioni fornite dal produttore dell'attrezzatura del sistema orizzontale.

## 5.0 ISPEZIONE

**5.1 FREQUENZA DI ISPEZIONE:** Ispezionare il Rebel SRL secondo gli intervalli descritti nella "Sezione 2.5 - Frequenza di ispezione". Le procedure di ispezione sono descritte nella sezione "Checklist di ispezione" (Tabella 2).

**5.2 CONDIZIONI DI NON SICUREZZA O DI DIFETTO:** se l'ispezione rivela una condizione di insicurezza o di difetto, rimuovere il dispositivo SRL dal servizio, contrassegnarlo come "NON UTILIZZABILE" e smaltirlo nel modo consigliato (vedere "Sezione 5.4 - Smaltimento").

**5.3 VITA DEL PRODOTTO:** La durata operativa dei dispositivi SRL Rebel dipende dalle condizioni di lavoro e dalla manutenzione. Il dispositivo può rimanere in servizio fino a quando è in grado di soddisfare i criteri di ispezione.

**5.4 SMALTIMENTO:** smaltire il Rebel SRL se è stato sottoposto a forza di caduta o se un'ispezione ne rivela la condizione non sicura o difettosa. Prima di procedere allo smaltimento del dispositivo SRL, tagliare l'indicatore di carico della fune dispositivo in tessuto, oppure disattivare il dispositivo SRL per non correre il rischio di riutilizzarlo inavvertitamente.

## 6.0 MANUTENZIONE, ASSISTENZA E STOCCAGGIO

**6.1 PULIZIA:** Le procedure di pulizia per il dispositivo SRL Rebel sono le seguenti:

- Pulire periodicamente l'esterno del dispositivo SRL utilizzando una soluzione a base di acqua e detergente. Posizionare il dispositivo SRL in modo che l'acqua in eccesso possa essere espulsa. Pulire le etichette secondo necessità.
- Pulire la fune dispositivo in nastro tessile con acqua e un detergente neutro. Risciacquare e asciugare accuratamente all'aria. Non asciugare applicando calore. Verificare che la fune dispositivo sia asciutta prima di consentirne il movimento retrattile nell'alloggiamento. Un accumulo eccessivo di sporcizia o vernice può impedire una ritrazione completa della fune dispositivo nell'alloggiamento causando un rischio di potenziale caduta libera.

**IMPORTANTE:** se la fune dispositivo entra in contatto con acidi o altri prodotti chimici caustici, non usare il dispositivo SRL e lavarlo con acqua e sapone. Ispezionare il dispositivo SRL in base a quanto riportato nella Tabella 2 prima di utilizzarlo nuovamente.

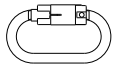
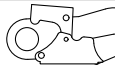
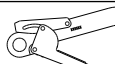

**6.2 ASSISTENZA:** Rebel i dispositivi SRL non sono riparabili. Se il dispositivo SRL è stato sottoposto a forze d'impatto o se l'ispezione rivela una condizione di non sicurezza o difetto, rimuoverlo immediatamente, contrassegnarlo come "NON UTILIZZABILE" e smaltirlo nel modo consigliato (vedere la "Sezione 5.4 - Smaltimento").

**6.3 STOCCAGGIO:** Conservare i dispositivi SRL Rebel in un ambiente fresco, asciutto e pulito, lontano dalla luce diretta del sole. Evitare zone con vapori chimici. Ispezionare accuratamente il dispositivo SRL dopo un periodo di stoccaggio prolungato.

## 7.0 SPECIFICHE

**7.1 PRESTAZIONI:** il dispositivo Rebel SRL è stato collaudato e certificato in base ai requisiti di prestazioni degli standard segnalati sulla copertina del manuale delle istruzioni. Vedere la "Sezione 2.0 - Limitazioni e requisiti" per le specifiche relative alle prestazioni.

**7.2 MATERIALI:** di seguito sono riportate le specifiche sui materiali del dispositivo Rebel SRL:

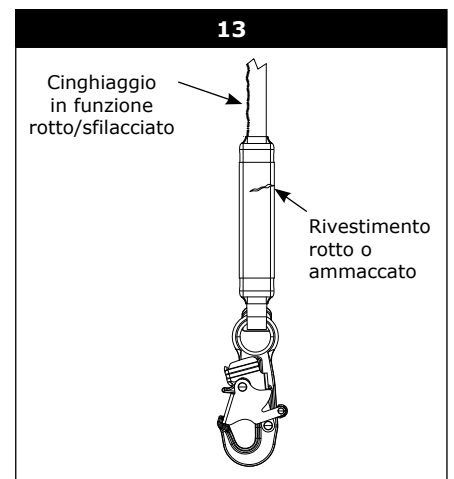
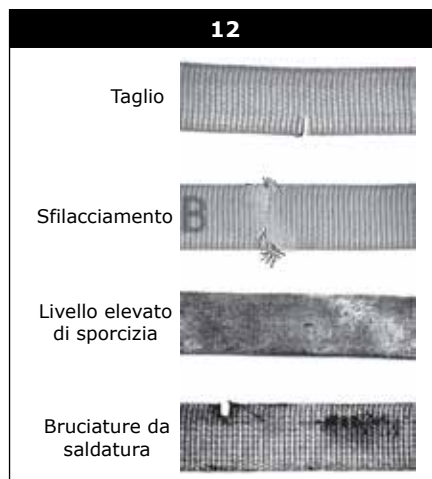
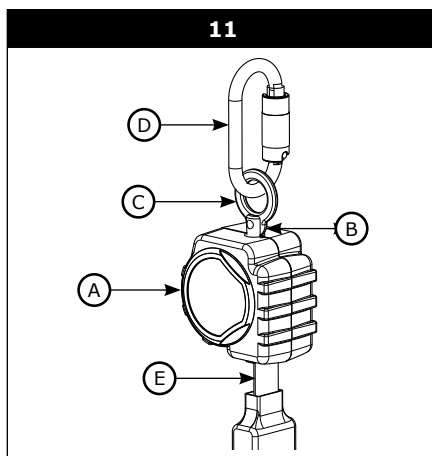
<b>Alloggiamento:</b>	Nylon, resistente ai raggi UV	<b>Molla motore:</b>	Acciaio inossidabile	
<b>Tamburo:</b>	Nylon, tipo 6/6	<b>Perno girevole:</b>	Acciaio galvanizzato	
<b>Dispositivi di fissaggio:</b>	Viti in acciaio zincato; rivetti in acciaio inossidabile	<b>Cavo di sicurezza:</b>	Cinghiao in poliestere	
<b>Denti di arresto:</b>	Acciaio inossidabile	<b>Indicatore di carico:</b>	Copertura: tubo in PVC Nastro tessile: poliestere	
<b>Albero principale:</b>	Acciaio inossidabile			
<b>Connettori terminali:</b> (vedere la figura 1)	Apertura dell'attacco		Resistenza chiusura	
	C	 Moschettone in acciaio	19 mm	16,0 kN
	D	 Connettore a molla in acciaio	19 mm	1 kN
	E	 Connettore Rebar in acciaio	57 mm	16,0 kN
	F	 Connettore a molla in acciaio	19 mm	16,0 kN

**7.3 ETICHETTATURA:** La figura 10 illustra l’etichettatura del dispositivo SRL Rebel. Tutte le etichette devono essere presenti e completamente leggibili.

<b>1</b>	Ispezionare visivamente l’unità. Leggere le istruzioni.
<b>2</b>	Ispezionare l’azione di bloccaggio del dispositivo SRL. Massimo un utente.
<b>3</b>	Sistema corretto per la connessione del dispositivo SRL all’imbracatura.
<b>4</b>	Può essere collegato a un punto di ancoraggio superiore o uguale all’anello dorsale a D. Carico max 140 kg.
<b>5</b>	Intervallo temperatura di esercizio: da -40 a +60°C.
<b>6</b>	Capacità massima 140 kg.
<b>7</b>	Consentire sempre al cavo di sicurezza di riavvolgersi nel dispositivo sotto controllo.
<b>8</b>	Non riparare.
<b>9</b>	Conservare al chiuso.
<b>10</b>	Durante l’utilizzo, non posizionare l’alloggiamento del dispositivo SRL su un bordo.
<b>11</b>	Non rimuovere le etichette.

**Tabella 2 - Checklist di ispezione**

Componente:	Ispezione:	Superato	Non superato
SRL (Figura 11)	Verificare che il dispositivo non presenti fissaggi allentati e parti piegate o danneggiate.	<input type="checkbox"/>	<input type="checkbox"/>
	Verificare che l’alloggiamento (A) non presenti parti distorte, crepe o altri danneggiamenti.	<input type="checkbox"/>	<input type="checkbox"/>
	Ispezionare il perno (B), l’occhiello girevole (C) e il moschettone (D) per verificare l’assenza di parti distorte, crepe o altri danni. Collegare fermamente il perno al dispositivo SRL, senza però impedirne la libera rotazione. L’occhiello girevole o il connettore integrale devono poter ruotare liberamente sul perno.	<input type="checkbox"/>	<input type="checkbox"/>
	La fune dispositivo in nastro tessile (E) deve disimpegnarsi e ritrarsi completamente senza esitazione o senza creare condizioni di cavo lasco.	<input type="checkbox"/>	<input type="checkbox"/>
	Assicurarsi che il dispositivo SRL si blocchi quando la fune dispositivo viene tirata con forza. Il blocco deve essere deciso, senza slittamenti.	<input type="checkbox"/>	<input type="checkbox"/>
	Tutte le etichette devono essere presenti e completamente leggibili (vedere la figura 10).	<input type="checkbox"/>	<input type="checkbox"/>
	Verificare la presenza di corrosione sull’intero dispositivo SRL.	<input type="checkbox"/>	<input type="checkbox"/>
Cavo di sicurezza in tessuto (Figura 12)	Ispezionare la fune dispositivo in nastro tessile per individuare concentrazioni di usura, trefoli sfilacciati, fili rotti, bruciature, tagli e abrasioni. Il cavo di sicurezza deve essere privo di nodi per tutta la lunghezza. Verificare che non vi siano residui di sporco eccessivo, sovrapposizioni di mani di vernice e macchie di ruggine. Controllare eventuali segni di danneggiamento chimico o termico indicato da aree scure decolorate o fragili. Controllare eventuali segni di danni da raggi ultravioletti, indicati da scolorimento e dalla presenza di frammenti o scaglie sulla superficie del cavo di sicurezza.	<input type="checkbox"/>	<input type="checkbox"/>
Indicatore di carico: (Figura 13)	Ispezionare l’indicatore di carico per determinare se è stato attivato. Non deve esserci alcuna evidenza di allungamento e il rivestimento deve essere fissato e privo di strappi o altri danni.	<input type="checkbox"/>	<input type="checkbox"/>
Connettori terminali (Figura 1)	La figura 1 identifica i connettori terminali che possono essere compresi nel modello Rebel SRL. Verificare che connettori a molla, moschettoni, connettori Rebar e così via non presentino danni, segni di corrosione e siano in condizioni di lavoro idonee. Dove presenti: i perni devono ruotare liberamente, e i moschettoni e i connettori a molla devono aprirsi, chiudersi, bloccarsi e sbloccarsi correttamente.	<input type="checkbox"/>	<input type="checkbox"/>





**WAARSCHUWING:** Dit product maakt deel uit van een persoonlijk valbeveiligings-, werkpositionerings- of reddingssysteem. De gebruiker dient de instructies van de fabrikant voor elk systeemonderdeel te volgen. Deze instructies dienen aan de gebruiker van deze apparatuur verstrekt te worden. De gebruiker dient deze instructies door te lezen en te begrijpen voordat hij deze apparatuur gebruikt. Voor correct gebruik en onderhoud van deze apparatuur dienen de instructies van de fabrikant gevolgd te worden. Aanpassingen aan of misbruik van dit product of niet-naleving van de instructies kan leiden tot ernstig letsel of de dood.

**BELANGRIJK:** Als u vragen hebt over het gebruik, de verzorging of de geschiktheid van deze apparatuur voor gebruik in uw toepassing, kunt u contact opnemen met Capital Safety.

**BELANGRIJK:** Noteer vóór u deze apparatuur gebruikt de productidentificatiegegevens op het ID-label in het inspectie- en onderhoudslogboek in deze handleiding.

## REFENTIEVAKJES WOORDENLIJSTS

Genummerde referentievakjes van de woordenlijst op de voorzijde van deze instructie refereren aan de volgende items:

- |   |  |
|---|--|
| ① Gebruikersinstructies.                | ④ Normen.  |
| ② Rebel™ zelfintrekbare reddingslijnen. | ⑤ Nummer van het instituut dat de CE test uitvoerde.                         |
| ③ Modelnummers: (Zie Afbeelding 1)      | ⑥ Nummer van de instantie die de productie van deze PPE gecontroleerd heeft. |

## OMSCHRIJVINGEN:

Rebel SRLs 6 ft (2,0 m) lange zelfintrekbare reddingslijnen, voorzien van een ingebouwde belastingsindicator, die worden ingetrokken in een thermoplastische behuizing. Rebel SRL's zijn beschikbaar in meerdere modelconfiguraties die bevestiging aan een ankerpunt mogelijk maken en enkele of dubbele montage aan een volledig harnas of vergelijkbaar materieel (zie Afbeelding 1). De Rebel SRL blokkeert automatisch bij het begin van een val om de val te stoppen, maar geeft en neemt reddingslijn bij normale bewegingen van de verbonden gebruiker.

Afbeelding 2 toont de belangrijkste componenten van de Rebel SRL's:

<b>A</b>	Draaipunt	<b>B</b>	Draaibaar oog	<b>C</b>	Karabiner (optioneel)	<b>D</b>	Behuizing
<b>E</b>	Valstoplijn	<b>F</b>	Belastingsindicator	<b>G</b>	Musketonhaak		

## 1.0 TOEPASSINGEN

- 1.1 DOEL:** De zelfintrekbare reddingslijnen van Capital Safety zijn ontwikkeld voor toepassing als component in een persoonlijk systeem voor valbescherming (PFAS). Figuur 1 illustreert valstopapparaten behandeld in deze gebruiksaanwijzing en hun typische applicaties. De valstopapparaten kunnen gebruikt worden in de meeste situaties waarin een combinatie van mobiliteit voor de werknemer en valbeveiliging is vereist, zoals bij inspectiewerkzaamheden, algemene bouwwerkzaamheden, onderhoudswerkzaamheden, olieproductie, werkzaamheden in besloten ruimten, enz.
- 1.2 NORMEN:** Uw SRL voldoet aan de nationale norm(en) genoemd op de voorkant van deze instructies.
- 1.3 TRAINING:** Deze apparatuur is bedoeld voor gebruik door personen die getraind in de juiste toepassing en het juiste gebruik. Het is de verantwoordelijkheid van de gebruiker om ervoor te zorgen bekend te zijn met deze instructies en getraind te zijn in het juiste onderhoud en gebruik van deze apparatuur. Gebruikers moeten bovendien op de hoogte zijn van de operationele eigenschappen, toepassingsbeperkingen en gevolgen van onjuist gebruik.

## 2.0 BEPERKINGEN EN EISEN

Houd tijdens het installeren of gebruiken van deze apparatuur altijd rekening met de volgende beperkingen en eisen:

- 2.1 VERMOGEN:** Valstopapparaten zijn bedoeld voor gebruik door één persoon met een gecombineerd gewicht (persoon, kleding, gereedschappen, enz.) dat 310 lbs (140 kg) niet overschrijdt, maar minstens 75 lbs (34 kg) is. Er mag onder geen enkele omstandigheid meer dan één persoon aan één valstopapparaat worden gekoppeld voor valbeveiliging.
- 2.2 MAXIMALE KRACHT EN AFSTAND VAN VALSTOP:** De in deze instructie vermelde valstopapparaten voldoen aan de volgende maximumwaarden voor de kracht en afstand van de valstop:

<b>Gewicht van de arbeider</b>	<b>Tot 310 lbs (140 kg)</b>
<b>Gemiddelde stopkracht</b>	4,0 kN (900 lbs)
<b>Maximale kracht</b>	6,0 kN (1350 lbs)

- 2.3 VERANKERING:** De verankeringsstructuur voor de SRL moet in staat zijn een belasting van 12 kN (2.700 lbs) te dragen. Verankeringsonderdelen moeten voldoen aan EN795.

**WAARSCHUWING:** Het verankeringspunt mag zich alleen op dezelfde hoogte als of boven de rand bevinden vanwaar zich een val zou kunnen voordoen. Het niet in acht nemen van deze waarschuwing kan leiden tot niet-werkende uitrusting, ernstig letsel of de dood.

- 2.4 REDDINGSPLAN:** Wanneer deze apparatuur wordt gebruikt, dient de werkgever te beschikken over een reddingsplan. Ook moet de werkgever de middelen binnen bereik hebben om het reddingsplan te implementeren en te communiceren met gebruikers, bevoegde personen en reddingswerkers.
- 2.5 INSPECTIEFREQUENTIE:** SRL's moeten worden geïnspecteerd door bevoegde persoon<sup>1</sup> of reddingswerker<sup>2</sup> vóór elk gebruik. Bovendien dienen inspecties te worden uitgevoerd door een andere deskundige<sup>3</sup> dan de gebruiker en door een fabrieksgeautoriseerde inspectie-entiteit. De deskundige dient het Inspectieooster (tabel 1) te gebruiken om passende inspectie-intervallen te bepalen. De inspectieprocedures zijn beschreven in de "Controlelijst voor inspectie" (Tabel 2). De resultaten van de inspectie door de deskundige moeten worden opgeslagen in het "Logboek voor inspectie en onderhoud" achterin deze instructies.

Tabel 1 - Inspectieooster					
Soort gebruik	Voorbeelden van toepassingen	Gebruiksvoorwaarden	Inspectiefrequentie		
			Deskundige	Fabrieksgeautoriseerd	Gebruiker
Weinig frequent tot licht	Redding en ruimte met beperkte toegang, fabrieksonderhoud	Goede opslagcondities, binnen- of niet frequent buitengebruik, kamertemperatuur, schone ruimten	Jaarlijks	Minstens elke 2-5 jaar en nooit langer dan door de fabrikant vereiste intervallen	Vóór elk gebruik
Gemiddeld tot zwaar	Transport, woningbouw, utiliteiten, magazijn	Redelijke opslagcondities, binnen- en uitgebreid buitengebruik, alle temperaturen, schone of stoffige ruimten	Halfjaarlijks tot jaarlijks	Minstens elke 1-2 jaar en nooit langer dan door de fabrikant vereiste intervallen	Vóór elk gebruik
Zeer zwaar tot continu	Beroepsmatige bouw, Olie en gas, mijnbouw	Zware opslagcondities, lang of continu buitengebruik, alle temperaturen, vuile ruimten	Ieder kwartaal tot halfjaarlijks	Minstens elke jaar en nooit langer dan door de fabrikant vereiste intervallen	Vóór elk gebruik

- 2.6 VERGREDELINGSSNELHEID:** Situaties waarin geen vrij valpad is, dienen vermeden te worden. Wanneer gewerkt wordt in besloten of beperkte ruimten, kan het lichaam tijdens een val wellicht geen snelheid halen die voldoende is om de vergrendeling van het valstopapparaat te activeren. Wanneer gewerkt wordt op langzaam verplaatsende materialen, zoals zand of korrelig materiaal, wordt er wellicht onvoldoende snelheid gemaakt om de vergrendeling van het valstopapparaat te activeren. Om positieve vergrendeling van het valstopapparaat te garanderen, is een vrij valpad nodig.
- 2.7 NORMAAL GEBRUIK:** Bij normale werking kan de reddingslijn over de volledige lengte, zonder hapering tijdens het uittrekken en zonder speling tijdens het intrekken, worden uit- en ingetrokken wanneer de persoon zich op normale snelheid verplaatst. Wanneer er een val plaatsvindt, zal het snelheidsgevoelige remsysteem geactiveerd worden. Daardoor wordt de val gestopt en wordt veel van de vrijgekomen energie geabsorbeerd. Voor vallen die plaatsvinden met de reddingslijn volledig ontrond, is een reservesysteem of een belastingsindicator ingebouwd om voor een valstop met minder impact te zorgen. Als de SRL heeft blootgestaan aan valkrachten of bij inspectie een onveilige of defecte toestand wordt gevonden, gebruik de SRL dan niet meer, markeer hem als 'ONBRUIKBAAR' en gooi hem weg volgens instructie (zie 'Sectie 5.4 - Afvoeren'). Tijdens normale werkzaamheden dienen plotselinge of snelle bewegingen vermeden te worden: hierdoor kan het valstopapparaat vergrendeld worden.
- 2.8 VRIJE VAL:** Bij bovenhoofdse verankering limiteren de SRL's de vrije val tot 0,6 m (2 ft) of minder. Veranker de SRL altijd direct bovenhoofds om vergrote valafstanden te vermijden. Vermijd werkzaamheden in situaties waarin uw reddingslijn de reddingslijn van een collega kan kruisen of daarmee verstrengeld kan raken. Vermijd werkzaamheden in situaties waarin een voorwerp kan vallen en de reddingslijn kan treffen, waardoor u uw evenwicht verliest of waardoor de reddingslijn beschadigd raakt. Voorkom dat de reddingslijn onder armen of tussen benen door loopt. Klem of bind de reddingslijn niet vast en voorkom dat de reddingslijn niet kan worden ingetrokken of dat de reddingslijn niet strak kan komen te staan. Vermijd speling. **Verleng het valstopapparaat niet door een talreep of soortgelijk onderdeel aan de talreep te koppelen zonder dat u Capital Safety hebt geraadpleegd.**
- 2.9 VRIJE VALRUIMTE:** Figuur 3A illustreert de vereiste valspeling in voet (meters) tussen het werkniveau en de dichtstbijzijnde obstructie voor een gebruiker met een totaal gewicht tot 310 lbs (140 kg). X = speling tussen werkniveau en dichtstbijzijnde obstructie. Zorg dat er voldoende speling is in het valpad om te voorkomen dat er een object wordt geraakt tijdens een val. Bevestig niet onder de dorsale D-ring van het harnas. Als de medewerker werkt op een plek niet direct onder het ankerpunt van de SRL, zijn de nodige vrije ruimte en verticale valafstand groter.
- 2.10 ZWENKVALLLEN:** Een zwenkval ontstaat wanneer het verankeringspunt niet recht boven het punt ligt waar de val optreedt (zie afbeelding 3B). De kracht waarmee een voorwerp tijdens een zwenkval geraakt kan worden, kan tot ernstig letsel leiden. Bij een zwenkval is de totale verticale valafstand groter dan wanneer de gebruiker recht onder het ankerpunt gevallen zou zijn. Daardoor neemt dus de valafstand die nodig is om de val van de gebruiker veilig te stoppen af. Gebruik afbeelding 3A om de vrije valruimte te bepalen voor uw toepassing. X = speling tussen werkniveau en dichtstbijzijnde obstructie. Minimaliseer zwenkvallen door zo recht mogelijk onder het ankerpunt te werken. Voorkom altijd een zwenkval wanneer daarbij letsel kan optreden.

**1 Bevoegd persoon:** Een persoon die door de werkgever aangewezen is om werk uit te voeren op een locatie waar de persoon blootgesteld wordt aan een valrisico.

**2 Redder:** Persoon of personen anders dan de te redden persoon, die optreedt/optreden om een geassisteerde redding uit te voeren door middel van een reddingssysteem.

**3 Deskundige persoon:** Een persoon die door zijn werkgever is aangeduid als verantwoordelijke voor de directe supervisie, uitvoering en opvolging van het door de werkgever beheerde programma voor valbescherming die op basis van zijn opleiding en kennis in staat is de bestaande en potentiële valrisico's te identificeren, te evalueren en aan te pakken, en die van de werkgever de bevoegdheid heeft gekregen om onmiddellijk corrigerende maatregelen te nemen in verband met dergelijke risico's.



- 2.11 RISICO'S:** Als deze uitrusting in zones met omgevingsgevaar wordt gebruikt, kan het zijn dat extra maatregelen nodig zijn om de kans op letsel of schade aan de uitrusting te verkleinen. De gevaren kunnen bestaan uit, maar zijn niet beperkt tot: hitte, bijtende chemicaliën, corrosieve omgevingen, hoogspanningsleidingen, explosieve of giftige gassen, bewegende machines, scherpe randen en materiaal bovenhoofds dat kan vallen en de gebruiker of het valstopsysteem kan raken.
- 2.12 SCHERPE RANDEN:** Vermijd werken waar de reddingslijn in contact kan komen met onbeschermde of scherpe randen, of er langs kan schuren. Als contact met een scherpe rand mogelijk is, bedek die rand dan met beschermingsmateriaal.
- 2.13 LICHAAMSONDERSTEUNING:** Er moet een volledig lichaamsharnas met de SRL gebruikt worden. Het verbindingpunt van het harnas moet boven het zwaartepunt van de gebruiker liggen. Er mag geen lichaamsgordel met de SRL gebruikt worden. Als een val plaatsvindt met een lichaamsgordel, kan deze onbedoeld losschieten en mogelijk verstikking veroorzaken door onjuiste lichaamsondersteuning.
- 2.14 COMPATIBILITEIT VAN COMPONENTEN:** Tenzij anders aangegeven, is Capital Safety-apparatuur ontworpen voor gebruik met alleen door Capital Safety goedgekeurde onderdelen en subsystemen. Substituties of vervangingen door middel van niet-goedgekeurde onderdelen of subsystemen kunnen de compatibiliteit van apparatuur in gevaar brengen en kunnen de veiligheid en betrouwbaarheid van het volledige systeem beïnvloeden.

**BELANGRIJK:** Lees en volg de instructies voor betrokken componenten en subsystemen in uw persoonlijke valstopsysteem.

- 2.15 COMPATIBILITEIT VAN VERBINDINGEN:** Verbindingen worden beschouwd compatibel te zijn met verbindende elementen als ze ontwikkeld zijn om op een dusdanige manier samen te werken dat hun maten en vormen, ongeacht hun oriëntatie, geen onbedoeld opengaan van poortmechanismen veroorzaken. Neem contact op met Capital Safety als u vragen hebt over compatibiliteit.

Verbindingen die worden gebruikt om de SRL aan te hangen, moeten voldoen aan EN362. Verbindingen moeten compatibel zijn met de verankering of andere onderdelen van het systeem. Gebruik geen apparatuur die niet compatibel is. Verbindingen die niet compatibel zijn, kunnen onbedoeld losraken (zie Afbeelding 4). Verbindingen moeten compatibel zijn in grootte, vorm en sterkte. Zelfvergrendelende karabijnhaken en karabiners zijn vereist. Als het verbindingselement waaraan de karabijnhaak (als op de afbeeldingen) of karabiner bevestigd wordt, te klein of onregelmatig van vorm is, kan er een situatie optreden waarbij het verbindingselement kracht uitoefent op de opening van de karabijnhaak of karabiner (A). Door deze kracht kan de opening (B) opengaan, waardoor de karabijnhaak of karabiner kan losraken van het verbindingpunt (C).

- 2.16 VERBINDINGEN MAKEN:** Er mogen alleen zelfvergrendelende karabijnhaken en karabiners met deze apparatuur gebruikt worden. Zorg ervoor dat de verbindingen qua grootte, vorm en sterkte bij elkaar passen. Gebruik geen apparatuur die niet compatibel is. Controleer of alle verbindingen volledig gesloten en vergrendeld zijn.

Capital Safety-verbindingen (karabijnhaken en karabiners) zijn ontwikkeld om alleen gebruikt te worden zoals in de gebruikersinstructies van elk product vermeld staat. Zie Afbeelding 5 voor voorbeelden van onjuiste verbindingen. Verbind karabijnhaken of karabiners niet:

- A. Aan een D-ring waaraan al een andere verbinding bevestigd is.
- B. Op een manier waardoor er een belasting op de gate komt te staan.
- C. Bij een onjuiste aankoppeling, waarbij onderdelen die uitsteken buiten de nok van de karabijnhaak of karabiner op de D-ring haken en zonder visuele bevestiging volledig aangekoppeld lijken te zijn aan het verankeringspunt.
- D. Aan elkaar.
- E. Direct aan webbing of touwlijn of tie-back (tenzij de instructies van de fabrikant dat voor zowel de lijn als de verbinding specifiek toestaan).
- F. Aan elk object dat een zodanige vorm of dimensie heeft dat de karabijnhaak of karabiner niet dicht en op slot kan gaan, of daar waar uitrollen kan optreden.
- G. Op een manier die de verbinding onder belasting geen correcte positie laat innemen.

## 3.0 INSTALLATIE

**3.1 PLANNING:** Maak een plan voor uw valbeveiligingssysteem voordat u begint met uw werkzaamheden. Let op alle zaken die uw veiligheid kunnen beïnvloeden vóór, gedurende en na een val. Overweeg alle eisen en beperkingen die in Deel 2 zijn gedefinieerd.

**BELANGRIJK:** In de meeste toepassingen kan het Rebel SRL aan de verankering of aan een plek op de rugzijde van het harnas worden gekoppeld. Beide vormen zijn toegestaan.

### 3.2 VERANKERING:

Afbeelding 6 illustreert de karakteristieke SRL-verankeringsverbindingen:

<b>A</b>	Verankering	<b>B</b>	Verbindingsstuk	<b>C</b>	Zekeringsadapter
----------	-------------	----------	-----------------	----------	------------------

Kies een verankeringspunt met minimaal gevaar op een vrije val en een zwenkval (zie Sectie 2). Kies een vast ankerpunt die de statische belastingen zoals gedefinieerd in Sectie 2.3 kunnen dragen. Rebel valstopapparaten moeten altijd aan of boven de Dorsale D-Ring van de gebruiker worden verankerd.

**BELANGRIJK:** Het wordt aanbevolen dat dit materieel wordt geïnstalleerd onder supervisie van een gekwalificeerde persoon.

### 3.3 OPTIES VOOR BEVESTIGING VAN HET HARNAS:

**Bevestiging enkel SRL volledig lichaamsharnas:** Het Rebel SRL kan worden verbonden aan de Dorsale D-ring van het harnas met een karabiner of musketonhaak. (zie figuur 8, verbindingsvoorbeelden 1 en 2). Sommige Rebel-modellen bevatten een karabiner. Ze zijn allemaal voorzien van een musketonhaak.

Verbind het zwenkoog (Rebel-componenten staan aangegeven in figuur 2) met de D-ring aan het harnas met de karabiner die bij sommige modellen is meegeleverd (of gebruik een passend ingeschaalde connector), of gebruik de meegeleverde musketonhaak om met de D-ring te verbinden. De andere kant van de Rebel moet worden verbonden aan een verankeringspunt (zie Sectie 2.3) met een meegeleverde karabiner (of een passend ingeschaalde connector), of de meegeleverde musketonhaak.

**Bevestiging dubbel SRL-harnas met karabiner:** Enkele Rebel SRL-modellen bevatten een karabiner (getoond in figuur 2) die twee Rebel SRL's aan een volledig lichaamsharnas kan verbinden als kliminstallaties 100% zekering vereisen. De karabiner bevestigt twee Rebel SRLs naast elkaar, net onder de Dorsale D-ring van het harnas. (zie figuur 8, verbindingsvoorbeeld 3)

Om twee Rebel SRLs aan een volledig lichaamsharnas te bevestigen met een karabiner: (Zie Figuur 7. A - Bandriemen; B - Dorsale D-ring; C - Zwenkoog, SRL)

**Stap 1: Maak de singelband van het harnas los:** Trek de bandriemen (A) uit waar ze door de onderkant van de Dorsale D-ring gaan (B) tot er voldoende ruimte is om de karabiner tussen de bandriemen en de D-ringpadding door te schuiven.

**Stap 2: Open de drievoudige karabiner:** Trek omhoog bij de karabijnpoort (1) en draai 45 graden (2) om de sleuf in de poort uit te lijnen met het karabinerframe. Druk de poort (3) naar binnen om de karabiner te openen.

**Stap 3: Bevestig de eerste Rebel SRL aan de karabiner:** Steek de karabiner door het zwenkoog (C) op de SRL.

**Stap 4: Steek de karabiner door de bandriemen:** Met de karabinerpoort geopend, steek de karabiner achter de bandriemen. Draai de karabiner achter de bandriemen tot de karabiner de bandriemen omhult en de eerste Rebel SRL zich aan de rechterkant van de karabiner bevindt.

**Stap 5: Bevestig de tweede Rebel SRL aan de karabiner:** Steek de karabiner door het zwenkoog op de tweede SRL. Positioneer de tweede SRL aan de linkerkant van de karabinerpoort.

**Stap 6: Laat de karabiner dichtvallen en sluiten.**

**Controleer de bevestiging van de beide SRL's:** Bij juiste bevestiging beweegt de karabiner door de bandriemen (A) en zitten de SRL-zwenkogen vast aan beide kanten van de karabiner. Trek de bandriemen (A) terug door de Dorsale D-ring en de D-ringpadding om geen Singelband in de gordel te hebben, en maak de karabiner tussen de bandriemen en de D-ringpadding vast.

## 4.0 GEBRUIK

**WAARSCHUWING:** Breng geen veranderingen aan in deze uitrusting en gebruik de uitrusting niet opzettelijk verkeerd. Raadpleeg Capital Safety wanneer u deze uitrusting gebruikt in combinatie met andere componenten of subsystemen dan in deze handleiding worden beschreven. Sommige combinaties van subsystemen en componenten kunnen de werking van deze uitrusting verstoren. Wees voorzichtig wanneer u deze uitrusting gebruikt in de buurt van bewegende machines, bij mogelijke elektrische of chemische gevaren, scherpe randen of materiaal dat van boven op de valstoplijn kan vallen. Lus de valstoplijn niet rond kleine delen van een constructie. Het niet in acht nemen van deze waarschuwing kan leiden tot niet-werkende uitrusting, ernstig letsel of de dood.

**WAARSCHUWING:** Neem contact op met uw arts als uw conditie aanleiding geeft tot twijfel over uw fysieke capaciteit om veilig de schok van een valstop te absorberen. Leeftijd en fysieke conditie beïnvloeden sterk de mate waarin een medewerker tegen een val kan. Zwangere vrouwen of kinderen moeten geen zelfintrekbare reddingslijnen gebruiken.

- 4.1 VÓÓR IEDER GEBRUIK:** Inspecteer vóór elk gebruik deze valbeveiligingsuitrusting zorgvuldig om u van de deugdelijkheid te verzekeren. Let op versleten of beschadigde delen. Zorg ervoor dat alle bevestigingen aanwezig zijn en vastzitten. Controleer het correct terugtrekken van de valstoplijn door de lijn uit te trekken en langzaam weer terug te laten gaan. Als het teruglopen niet soepel verloopt, gebruik de SRL dan niet meer, markeer hem als 'ONBRUIKBAAR' en gooi hem weg volgens instructie (zie 'Sectie 5.4 - Afvoeren'). Inspecteer de valstoplijn op insnijdingen, rafels, brandplekken, indeukingen en corrosie. Controleer de blokkering door krachtig aan de lijn te trekken. Zie Deel 5 voor details omtrent het inspecteren.
- 4.2 NA EEN VAL:** Alle uitrusting die is blootgesteld aan de krachten van een valstop of die beschadigingen vertonen die door de kracht van een valstop zouden kunnen zijn veroorzaakt zoals beschreven in sectie 5, moeten buiten gebruik worden gesteld, gemarkeerd als 'ONBRUIKBAAR' en weggegooid volgens instructie (zie 'Sectie 5.4 - Afvoeren').
- 4.3 LICHAAMSONDERSTEUNING:** Bij gebruik van Rebel valstopapparaten moet een volledig harnas worden gedragen. Voor algemene valbeveiliging maakt u verbinding met de D-ring op de rug. Voor situaties zoals het beklimmen van een ladder kan het nuttig zijn om het met de voorkant van het tuigje boven het zwaartepunt van de medewerker te verbinden. Dit is aanvaardbaar mits een mogelijke vrije val kleiner dan 2 voet (60 cm) is en er snel voetensteun bereikt kan worden.

**BELANGRIJK:** Gebruik geen lichaamsgordel voor vrije-valtoepassingen. Zie OSHA 1926.502 voor richtlijnen.

- 4.4 VERBINDINGEN MAKEN:** Afbeelding 8 illustreert de harnas- en verankeringsverbindingen voor Rebel SRL valstopssystemen. Wanneer u een haak gebruikt om een verbinding te maken, zorg er dan voor dat deze niet los kan raken (zie Afbeelding 4). Gebruik geen haken of verbindingen die niet helemaal sluiten over datgene waarop ze moeten passen. Gebruik geen karabijnhaken zonder vergrendeling. De verankering moet voldoen aan de sterkte-eisen voor verankerungen zoals vermeld in Sectie 2.3. Volg de instructies van de fabrikant voor elke component van het systeem.
- 4.5 WERKING:** Vóór gebruik, inspecteer de SRL zoals beschreven in Sectie 5.0. Afbeelding 8 toont de systeemverbindingen voor standaardtoepassingen van de Rebel SRL valstopapparaten. Verbind de Rebel SRL met een geschikte verankering of monteer de SRL op de rugzijde van een volledig harnas volgens de instructies in Deel 3. Op SRL's die met een verankering verbonden zijn, verbind de haak of karabiner op de belastingsindicator met de Dorsale D-ring op het volledige harnas. Verbind op een aan een harnas gemonteerde SRL de haak of karabiner met een geschikte verankering. Zorg ervoor dat de verbindingen qua grootte, vorm en sterkte bij elkaar passen. Zorg ervoor dat de haken volledig gesloten en vergrendeld zijn. Eenmaal aangesloten kan de medewerker vrij bewegen binnen de aanbevolen werkruimte op normale snelheid. Als er een val plaatsvindt, zal de SRL blokkeren en de val stoppen. Gebruik de SRL niet meer na een redding. Laat de valstoplijn altijd gecontroleerd teruglopen, het apparaat in, als u met een SRL werkt.

**WAARSCHUWING:** Maak geen knopen in de valstoplijn. Voorkom dat de valstoplijn contact maakt met scherpe of schurende oppervlakken. Inspecteer de valstoplijn regelmatig op insnijdingen, rafels, brandplekken, of tekenen van chemische schade. Vuil, verontreinigingen en water kunnen de diëlektrische eigenschappen van de valstoplijn verlagen. Wees voorzichtig in de buurt van elektrische leidingen.

- 4.6 TWIN SRL-INTERFACE 100% ZEKERING:** Wanneer twee Rebel SRLs naast elkaar zijn gemonteerd op de rugzijde van een volledig harnas, kan het SRL-valstopstelsel worden gebruikt voor continue valbeveiliging (100% zekering) bij stijgen, dalen of zijwaartse beweging. Met de lijnkant van een SRL bevestigd aan een ankerpunt, kan de medewerker naar een nieuwe plaats bewegen, de ongebruikte lijn van de andere SRL aan een ander ankerpunt bevestigen, en zich dan los maken van het oorspronkelijke ankerpunt. (zie Afbeelding9) Deze volgorde wordt dan herhaald totdat de werker zijn bestemming heeft bereikt. Overwegingen bij gebruik van 100% tie-off-toepassingen met dubbele lijn zijn de volgende:
- Sluit nooit vervelend SRL Lifelines til dezelfde bevestigingspunten. (Zie Figuur 9B)
  - Het verbinden van elke lijn aan een apart verankeringspunt is wel acceptabel. (zie AfbeeldingC)
  - Verbind nooit meer dan één persoon tegelijk aan een dubbele-lijnsysteem. (zie AfbeeldingD)
  - Zorg ervoor dat de reddingslijnen niet in elkaar gedraaid of verward raken, omdat ze daardoor mogelijk niet meer terugtrekken.
  - Zorg dat de reddingslijnen niet onder de armen of tussen de benen doorlopen tijdens gebruik.

**4.7 HORIZONTALA SYSTEMEN:** In toepassingen waar het Rebel SRL wordt gebruikt in verbinding met een horizontaal systeem (d.w.z. horizontale valstoplijn, horizontale I-balktrolley), moeten de SRL en de horizontale-systeemcomponenten compatibel zijn. Horizontale systemen moeten ontworpen en geïnstalleerd zijn onder supervisie van een gekwalificeerde constructeur. Raadpleeg de instructies van de fabrikant van de horizontale systemen voor meer details.

## 5.0 INSPECTIE

**5.1 INSPECTIEFREQUENTIE:** Het Rebel SRL moet worden geïnspecteerd met de frequentie gedefinieerd in 'Sectie 2.5 - Inspectiefrequentie'. De procedures voor inspectie zijn beschreven in de "Inspectie-checklist" (Tabel 2).

**5.2 ONVEILIGE OF GEBREKKIGE OMSTANDIGHEDEN:** Als bij inspectie een onveilige of defecte toestand wordt gevonden, gebruik de SRL dan niet meer, markeer hem als 'ONBRUIKBAAR' en gooi hem weg volgens instructie (zie 'Sectie 5.4 - Afvoeren').

**5.3 LEVENSDUUR VAN HET PRODUCT:** De functionele levensduur van Rebel valstopapparaten wordt bepaald door de werkomstandigheden en het onderhoud. Zolang de SRL bij inspectie aan de criteria voldoet, kan deze in gebruik blijven.

**5.4 AFVOEREN:** Gooi het Rebel SRL weg als het onderworpen is geweest aan een valkracht of als uit inspectie blijkt dat het onveilig of defect is. Snijd voor het afvoeren van de SRL de belastingsindicator van de weblijn of maak de SRL anderszins onklaar om onbedoeld hergebruik te voorkomen.

## 6.0 ONDERHOUD, SERVICE EN OPSLAG

**6.1 SCHOONMAKEN:** Reinigingsprocedures voor het Rebel valstopapparaat zijn als volgt:

- Maak de buitenkant van de SRL regelmatig schoon met water en milde zeep. Plaats de SRL zo dat het water eruit wegloopt. Labels moeten schoon zijn.
- Maak de bandvalstoplijn schoon met water en milde zeep. Spoel af en droog grondig aan de lucht. Droog niet geforceerd met warmte. De valstoplijn moet droog zijn voordat u hem laat teruggaan in de behuizing. Overmatig vuil, verf, e.d. kunnen ervoor zorgen dat de valstoplijn niet meer volledig teruggaat in de behuizing wat een mogelijk valgevaar kan vormen.

**BELANGRIJK:** Als de valstoplijn in contact komt met zuren of andere bijtende chemicaliën, gebruik de SRL dan niet meer en was hem met water en milde zeep. Inspecteer de SRL volgens Tabel 2 voordat deze weer wordt gebruikt.

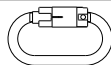

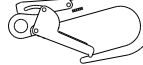

**6.2 SERVICE:** Rebel SRL's kunnen niet worden gerepareerd. Als de SRL heeft blootgestaan aan valkrachten of bij inspectie een onveilige of defecte toestand wordt gevonden, gebruik de SRL dan niet meer, markeer hem als 'ONBRUIKBAAR' en gooi hem weg volgens instructie (zie 'Deel 5.4 - Afvoeren').

**6.3 OPSLAG:** Bewaar het Rebel valstopapparaat in een koele, droge, schone omgeving, weg van direct zonlicht. Vermijd plekken waar chemische dampen kunnen voorkomen. Inspecteer de SRL grondig na een langere periode van opslag.

## 7.0 SPECIFICATIES

**7.1 PRESTATIES:** Uw Rebel SRL is getest en gecertificeerd voor de prestatievereisten vastgelegd in de standaard(en) die op de cover van deze handleiding staan vermeld. Zie 'Sectie 2.0 - Beperkingen en vereisten' voor de prestatiespecificaties.

**7.2 MATERIALEN:** Materiaalspecificaties voor de Rebel SRL zijn als volgt:

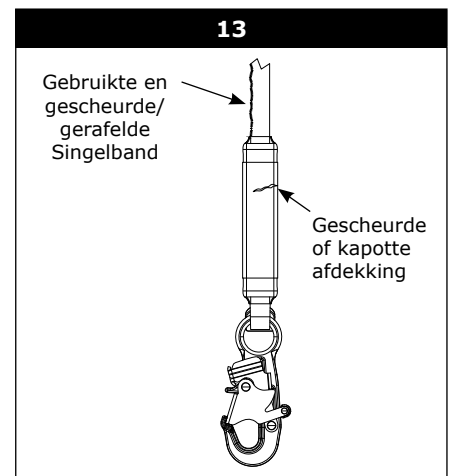
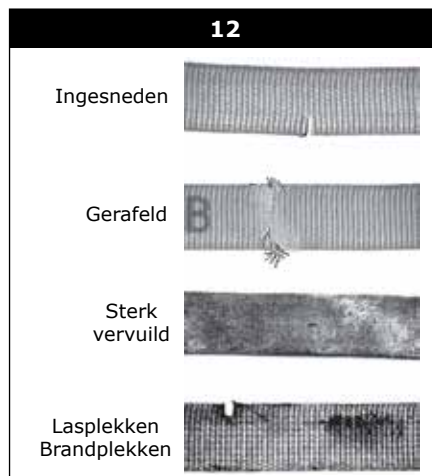
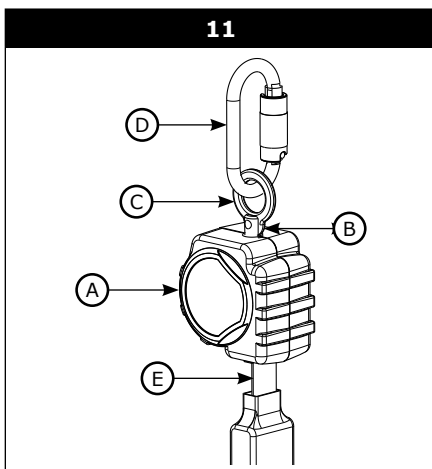
<b>Behuizing:</b>	Nylon, UV-resistent	<b>Bewegingsveer:</b>	Roestvrij staal		
<b>Rol:</b>	Nylon, Type 6/6	<b>Draaipunt:</b>	Verzinkt staal		
<b>Bevestigingsmateriaal:</b>	Verzinkte stalen schroeven; roestvrijstalen klinknagels	<b>Valstoplijn:</b>	Polyester band		
<b>Vergrendelingspallen:</b>	Roestvrij staal	<b>Belastingsindicator</b>	Afdekking: PVC-buis Band: Polyester		
<b>Hoofdschacht:</b>	Roestvrij staal				
<b>Eindverbindingen:</b> (Zie afbeelding 1)			Gateopening	Sterkte van de gate	
	C		Staalkarabiner	3/4 in (19 mm)	3,600 lbf (16 kN)
	D		Stalen musketonhaak	3/4 in (19 mm)	225 lbf (1 kN)
	E		Stalen wapeningshaak	2 1/4 in (57 mm)	3,600 lbf (16 kN)
	F		Stalen musketonhaak	3/4 in (19 mm)	3,600 lbf (16 kN)

**7.3 LABELING:** Afbeelding 10 toont de labels van het Rebel-valstopapparaat. Alle labels dienen aanwezig en volledig leesbaar te zijn.

<b>1</b>	Inspecteer de unit visueel. Lees de instructies.
<b>2</b>	Inspecteer het blokkeren van de SRL. Maximaal één gebruiker.
<b>3</b>	De juiste manier om de SRL aan het harnas te bevestigen.
<b>4</b>	Kan worden verbonden aan een ankerpunt boven of op gelijke hoogte met de dorsale D-ring. 310 lbs (140 kg) maximaal.
<b>5</b>	Temperatuurbereik voor gebruik -40°C + 60°C.
<b>6</b>	Maximale capaciteit 140 kg.
<b>7</b>	Laat de valstoplijn altijd gecontroleerd teruggaan in de SRL.
<b>8</b>	Niet repareren.
<b>9</b>	Binnenshuis bewaren.
<b>10</b>	Plaats de SRL-behuizing niet op een rand tijdens gebruik.
<b>11</b>	Verwijder het etiket niet.

**Tabel 2 – Controlelijst voor inspectie**

<b>Component:</b>	<b>Inspectie:</b>	<b>Voldoet</b>	<b>Voldoet niet</b>
SRL (Afbeelding 11)	Inspecteer op losse bevestigingen of beschadigde onderdelen.	<input type="checkbox"/>	<input type="checkbox"/>
	Inspecteer de behuizing (A) op vervorming, barsten of andere schade.	<input type="checkbox"/>	<input type="checkbox"/>
	Inspecteer het draaipunt (B) en het zwenkoog (C) en karabiner (D) op vervorming, barsten of andere schade. Het draaipunt moet veilig aan de SRL bevestigd zijn, maar vrij kunnen draaien. Het draaibare oog of de integraalverbinding moeten vrij kunnen draaien in het draaipunt.	<input type="checkbox"/>	<input type="checkbox"/>
	De valstoplijn (E) moet volledig uittrekken en weer terugtrekken zonder aarzelingen of verlies van spanning op de lijn.	<input type="checkbox"/>	<input type="checkbox"/>
	Zorg ervoor dat de SRL blokkeert wanneer krachtig aan de valstoplijn wordt getrokken. Het blokkeren moet duidelijk gebeuren, zonder slippen.	<input type="checkbox"/>	<input type="checkbox"/>
	Alle labels moeten aanwezig en geheel leesbaar zijn (zie Afbeelding 10).	<input type="checkbox"/>	<input type="checkbox"/>
	Inspecteer de gehele SRL op tekenen van corrosie.	<input type="checkbox"/>	<input type="checkbox"/>
Valstoplijn (Afbeelding 12)	Inspecteer de valstoplijn op geconcentreerde slijtage, gerafelde strengen, gebroken draad, brandslijtage, insnijdingen en schuring. De valstoplijn moet over de gehele lengte vrij zijn van knopen. Inspecteer op overmatig vuil, verf en roestvlekken. Inspecteer op chemische of hiteschade, te herkennen aan bruine, verkleurde of broze gedeelten. Inspecteer op ultravioletschade, te herkennen aan verkleuring en de aanwezigheid van splinters en losse stukjes op het oppervlak van de valstoplijn.	<input type="checkbox"/>	<input type="checkbox"/>
Belastingsindicator (Afbeelding 13)	Inspecteer de belastingsindicator om vast te stellen of deze geactiveerd is. Deze mag niet uitgerekt zijn en de afdekking moet vastzitten en geen scheuren of andere schade hebben.	<input type="checkbox"/>	<input type="checkbox"/>
Eindverbindingen (Afbeelding 1)	Afbeelding 1 toont de eindverbindingen die bij uw Rebel SRL model horen. Inspecteer alle musketonhaken, karabiners, wapeningshaken, etc. op tekenen van schade of corrosie en op een juiste werking. Waar aanwezig: draaipunten moeten vrij draaien en karabiner- en haakpoorten moeten correct openen, sluiten en ontgrendelen.	<input type="checkbox"/>	<input type="checkbox"/>





**ADVARSEL:** Dette produktet er en del av et personlig fallsikrings-, arbeidsposisjonerings- eller redningssystem. Brukeren må følge produsentens instruksjoner for hver av systemets komponenter. Disse instruksjonene må gis til brukeren av utstyret. Brukeren må lese og forstå disse instruksjonene før utstyret tas i bruk. Produsentens instruksjoner for korrekt bruk og vedlikehold av dette utstyret må følges. Endringer eller misbruk av dette produktet, eller manglende overholdelse av instruksjonene, kan medføre alvorlig personskade eller død.

**VIKTIG:** Ta kontakt med Capital Safety hvis du har spørsmål om bruk, vedlikehold eller utstyrets egnethet til din bruk.

**VIKTIG:** Før du bruker dette utstyret, bør du notere deg produktidentifikasjonen fra ID-merket i inspeksjons- og vedlikeholdsloggen i denne veiledningen.

## REFERANSER TIL ORDLISTE

Nummererte ordlistereferanser på forsiden av denne instruksjonen henviser til følgende punkter:

- |   |  |
|---|--|
| ① Bruksinstruksjoner.                     | ④ Standarder.  |
| ② Rebel™-selvinttrekkende redningslinjer. | ⑤ Nummeret på organisasjonen som utførte CE-testen.  |
| ③ Modellnummer: (Se figur 1).             | ⑥ Nummeret til organisasjonen som kontrollerer produksjonen av dette personlige verneutstyret (PPE). |

## BESKRIVELSER:

Rebel SRL er 2,0 m (6") selvinttrekkende redningslinjer, utstyrt med en lastindikator på linen, med inntrekk til et termoplastisk kabinet. Rebel SRL finnes i en rekke modeller og konfigurasjoner som gjør at de kan festes til et forankringspunkt eller monteres enkeltvis eller dobbelt til en full kroppssele (se Fig. 1). Rebel SRL låser automatisk ved et fall for å bremse fallet, men gir ut og trekker inn livline under brukerens normale bevegelser.

Figur 2 illustrerer hovedkomponentene på Rebel SRL-er:

<b>A</b>	Svivel	<b>B</b>	Sviveløye	<b>C</b>	Karabinkrok (valgfritt)	<b>D</b>	Hus
<b>E</b>	Livline med stropper	<b>F</b>	Lasteindikator	<b>G</b>	Låsekrok		

## 1.0 BRUKSOMRÅDER

- 1.1 FORMÅL:** Capital Safety-selvinttrekkende livlinjer (SRL-er) er beregnet på å være en komponent i et personlig fallsikringssystem (PFAS). Figur 1 viser SRL-er som er omhandlet i denne håndboken, og vanlige bruksområder. De kan brukes i situasjoner hvor arbeidermobilitet og fallbeskyttelse er påkrevd (inspeksjonsarbeid, generell konstruksjon, vedlikeholdsarbeid, oljeproduksjon, arbeid i plassbegrensede områder osv.).
- 1.2 STANDARDER:** Din SRL oppfylder kravene til nasjonale standarder som oppgis på omslaget til denne brukerveiledningen.
- 1.3 OPPLÆRING:** Dette utstyret er beregnet på å brukes av personer som har fått opplæring i korrekt bruk. Det er brukerens ansvar å sørge for at de kjenner til denne veiledningen, og at de har opplæring i korrekt vedlikehold og bruk av utstyret. Brukere må være kjent med bruksegenskapene, begrensningene for bruk og konsekvensene av uriktig bruk.

## 2.0 UTSTYRSBEGRENSNINGER OG KRAV

Ta alltid hensyn til følgende begrensninger og krav når du installerer eller bruker dette utstyret:

- 2.1 KAPASITET:** SRL-er er laget for bruk av personer med en samlet vekt (inklusive verktøy, klær osv.) på maks 140 kg (310 lbs) og minst 34 kg (75 lbs).  
For fallsikringsbruk må aldri mer enn én person være koblet til én enkelt SRL.
- 2.2 MAKSIMAL STOPPEKRAFT OG MAKSIMAL STOPPEDISTANSE:** SRL-er som er dokumentert i denne instruksjonen, oppfylder følgende maksimale mål for stoppekraft:

<b>Personvekt</b>	<b>opptil 140 kg (310 pund)</b>
<b>Gjennomsnittlig stoppekraft</b>	4,0 kN (900 lbs)
<b>Maksimal stoppekraft</b>	6,0 kN (1350 lbs)

- 2.3 FORANKRING:** Forankringsstrukturen for en SRL må kunne tåle en belastning på 12 kN. Forankringsanordninger må oppfylle kravene til EN795.

**ADVARSEL:** Forankringspunktet kan bare plasseres i samme høyde som eller over kanten hvor et fall kan forekomme. Hvis denne advarselen ikke etterfølges, kan det føre til utstyrssvikt, alvorlig skade eller død.

**2.4 REDNINGSPLAN:** Når dette utstyret brukes, må arbeidsgiver ha en redningsplan og redningsutstyr tilgjengelig, og dette må kommuniseres til brukere, autoriserte personer og redningsmannskaper.

**2.5 INSPEKSJONSINTERVALLER:** SRL-er skal inspiseres av brukeren (autorisert person<sup>1</sup> eller redningsperson<sup>2</sup>) før hver bruk. I tillegg skal det utføres inspeksjoner av kompetent personell<sup>3</sup> (ikke brukeren), og av en inspeksjonsenhet som er godkjent av fabrikken. Kompetent personell må bruke inspeksjonstabellen (tabell 1) for å fastsette passende inspeksjonsintervaller. Inspeksjonsprosedyrer står beskrevet under «Sjekkliste for inspeksjon» (Tabell 2). Resultatene fra hver inspeksjon utført av kompetent person bør registreres i «Inspeksjons- og vedlikeholdsloggen» bakerst i denne bruksanvisningen.

Tabell 1 – Inspeksjonsplan					
Brukstype	Brukseksempler	Bruksvilkår	Inspeksjonsintervaller		
			Kompetent person	Godkjent av fabrikk	Bruker
Sjelden til lett	Redning og innelukkede områder, fabrikkvedlikehold	Gode oppbevaringsforhold, innendørs eller sjelden utendørs bruk, romtemperatur, rene omgivelser	Årlig	Minst hvert 2-5 år, men ikke lenger enn intervallene som er fastsatt av produsenten	Før hver bruk
Moderat til kraftig	Transport, boligbygging, forsyningstjenester, lager	Greie oppbevaringsforhold, innendørs og utvidet utendørs bruk, alle temperaturer, rene eller støvete omgivelser	Halvårlig til årlig	Minst hvert 1-2 år, men ikke lenger enn intervallene som er fastsatt av produsenten	Før hver bruk
Omfattende til kontinuerlig	Næringsbygg, olje og gass, gruvearbeid	Tøffe oppbevaringsforhold, langvarig eller kontinuerlig utendørs bruk, alle temperaturer, skitne omgivelser	Kvartalsvis til halvårlig	Minst hvert år, men ikke lenger enn intervallene som er fastsatt av produsenten	Før hver bruk

**2.6 LÅSEHASTIGHET:** Situasjoner som gjør det umulig å ha en hindringsfri fallbane, bør unngås. Arbeid på svært snevre eller trange områder kan føre til at kroppen ikke oppnår tilstrekkelig hastighet til å få SRL-en til å låse seg hvis et fall skulle inntreffe. Arbeid på materialer som flytter seg sakte, for eksempel sand eller grus, kan føre til at hastigheten ikke bygger seg opp raskt nok til at SRL-en låser seg. For at SRL-en skal låses sikkert, trengs det en fri bane for fallet.

**2.7 NORMAL BRUK:** Normal bruk vil tillate at hele livlinens lengde kan trekkes ut og inn uten hindringer, og at det ikke oppstår slakk under inntrekning når brukeren beveger seg med normal hastighet. Hvis et fall skulle inntreffe, vil et hastighetsfølende bremsesystem aktiveres og stanse fallet, samt absorbere mye av energien som oppstår. For fall som skjer nær enden på livlinens lengde, finnes et reservesystem eller lasteindikator for å sørge for fallsikring med redusert fallkraft. Hvis SRL-en har vært utsatt for fallkrefter, må SRL-en øyeblikkelig tas ut av bruk, merkes som «UBRUKELIG» og avhendes på anbefalt vis (se «Del 5.4 – Avhending»). Plutselige eller raske bevegelser bør unngås under vanlig arbeid, da dette kan få SRL-en til å låse seg.

**2.8 FRITT FALL:** Når SRL-er forankres i høyden, vil de begrense den frifallsdistansen til 61 cm (2") eller mindre. For å unngå større falldistanser, bør SRL-en forankres rett over arbeideren. Unngå å arbeide på steder hvor livlinen kan krysse eller floke seg med andre liner. Unngå å arbeide der et objekt kan falle og treffe livlinen, da dette kan føre til at balansen mistes eller at linen skades. Ikke la linen gå under armer eller mellom ben. Livlinen må aldri klemmes, knyttes eller på noen annen måte hindres i å trekkes inn eller spennes. Unngå slakk line. **Ikke forleng SRL-er ved å koble til et taljereip eller lignende komponent uten å rådføre deg med Capital Safety.**

**2.9 FALLKLARING:** Figur 3A viser fallklaring som er påkrevd i fot (meter) mellom arbeidsnivået og den nærmeste hindringen, for en bruker med en total vekt på opp til 140 kg (310 lbs). X = klaring mellom arbeidsnivået og nærmeste hindring. Sørg for at det er tilstrekkelig klaring i fallbanen, slik at du ikke treffer noe i fallet. Ikke fest under selens bakre D-ring. Hvis en bruker skal arbeide på et sted som ikke er rett under SRL-ens forankringspunkt, kreves det større klaring og vertikal falldistanse.

**2.10 SVINGFALL:** Svingfall oppstår når forankringspunktet ikke er rett over stedet der fallet finner sted (se figur 3B). Kraften av et sammenstøt med et objekt i et svingfall kan medføre alvorlig skade. I et svingfall vil den totale vertikale fallavstanden være større enn om brukeren hadde falt direkte under forankringspunktet, noe som øker den totale fallklaringen som kreves for å stoppe brukeren på en trygg måte. Bruk Fig. 3A til å beregne fallklaringen for ditt bruksområde. X = klaring mellom arbeidsnivået og nærmeste hindring. Minimer svingfall ved å arbeide så rett under forankringspunktet som mulig. Ikke gjør svingfall mulig hvis skade kan oppstå.

**1 Autorisert person:** En person som av arbeidsgiver er oppnevnt til å utføre oppgaver på stedet hvor personen vil være utsatt for fallrisiko.

**2 Redningsperson:** Person annen enn, eller personer andre enn den bergede som utfører en assistert bergingsoperasjon ved bruk av et bergingsystem.

**3 Kompetent person:** En person utnevnt av arbeidsgiveren som ansvarlig for ledelse, implementering og overvåking av den ansattes fallsikringsprogram og som, via opplæring og kunnskap, er i stand til å påvise, evaluere og håndtere eksisterende og potensielle fallfarer, og som er gitt autorisasjon til å ta rask affære når slike farer påvises.



- 2.11 FARER:** Hvis utstyret brukes i farlige områder, kan det være nødvendig med ekstra forholdsregler for å redusere faren for personskader eller skader på utstyret. Farer kan inkludere, men er ikke begrenset til: sterk varme, kaustiske kjemikalier, etsende omgivelser, høyspentlinjer, eksplosive eller giftige gasser, maskineri i bevegelse, skarpe kanter eller materialer i høyden som kan falle ned på brukeren eller fallsikringssystemet.
- 2.12 SKARPE KANTER:** Unngå arbeid hvor livlinen vil være i kontakt med eller skrape mot ubeskyttede skarpe kanter. Hvis det er fare for kontakt med skarpe kanter, må du dekke kanten med et beskyttende materiale.
- 2.13 KROPPSSTØTTE:** Det må brukes en full kroppssele med SRL-en. Koblingspunktet på helselen må være over brukerens tyngdepunkt. Støttebelter er ikke godkjent for bruk med SRL. Hvis det skjer et fall med et støttebelte, kan dette føre til utilsiktet utløsning og muligens kvelning på grunn av feil kroppsstøtte.
- 2.14 KOMPATIBILITET FOR KOMPONENTER:** Utstyr fra Capital Safety er kun laget for å brukes sammen med komponenter og delsystemer som er godkjent av Capital Safety. Utskifting eller erstatning med ikke-godkjente komponenter og delsystemer kan påvirke utstyrets kompatibilitet, dette kan gå ut over sikkerheten og påliteligheten til hele systemet.

**VIKTIG:** Les og følg produsentens instruksjoner for tilhørende komponenter og delsystemer i ditt personlige fallsikringssystem.

- 2.15 KOBLINGENES KOMPATIBILITET:** Koblinger anses å være kompatible med koblingselementene når de er konstruert for å virke sammen på en slik måte at størrelse og form ikke får lukkemekanismene til å åpnes utilsiktet, uansett hvordan de posisjoneres. Kontakt Capital Safety hvis du har spørsmål om kompatibilitet.

Koblinger som brukes til å henge opp SRL-er må oppfylle kravene til EN362. Koblingene må være kompatible med forankringen og andre systemkomponenter. Ikke bruk utstyr som ikke er kompatibelt. Ikke-kompatible koblinger kan løsne utilsiktet (se Fig. 4). Påse at koblingene er kompatible når det gjelder størrelse, form og styrke. Selvlåsende låsekroker og karabinkroker må brukes. Hvis koblingselementet som en sikkerhetskrok eller karabinkrok er festet til, er for lite eller har en ujevn form, kan det oppstå en situasjon der koblingselementet overfører kraft på krokens feste (A). Denne kraften kan gjøre at festet åpnes (B), og dermed kan sikkerhetskroken eller karabinkroken løsne fra tilkoblingspunktet (C).

- 2.16 OPPRETTE KOBLINGER:** Sikkerhetskrokene og karabinkrokene som brukes med dette utstyret, må være selvlåsende. Påse at koblingene er kompatible i forhold til størrelse, form og styrke. Ikke bruk utstyr som ikke er kompatibelt. Påse at alle koblinger er fullstendig lukket og låst.

Capital Safety-koblinger (låsekroker og karabinkroker) er kun beregnet til bruk slik det er spesifisert i hvert produkts brukerveiledning. Se Figur 5 for eksempler på feilaktige koblinger. Ikke fest låsekroker og karabinkroker:

- A. Til D-ring der det er festet en annen kobling.
- B. På en måte som vil føre til belastning på porten.
- C. I et falskt feste, der elementer som stikker ut fra låsekroken eller karabinkroken tar tak i forankringen, og der manglende visuell bekreftelse gjør at det virker som om kroken har korrekt tak i forankringspunktet.
- D. Til hverandre.
- E. Direkte til stropper eller livliner eller tilbakekobling av tau (med mindre produsentens veiledning for både livlinen og koblingen spesifikt tillater dette).
- F. Til et objekt som er formet eller dimensjonert slik at låsekroken eller karabinkroken ikke vil lukke og låse, eller hvor utrulling kan forekomme.
- G. På en måte som gjør at koblingen ikke er korrekt innrettet under belastning.

## 3.0 INSTALLASJON

**3.1 PLANLEGGING:** Planlegg fallsikringsystemet ditt før du begynner å arbeide. Vurder faktorer som kan påvirke sikkerheten din før, under og etter et fall. Ta hensyn til alle krav og begrensninger som defineres i Del 2.

**VIKTIG:** I de fleste brukstilfeller, kan Rebel SRL kobles til forankringen eller selen på ryggen. Alle retninger er tillatt.

## 3.2 FORANKRING:

Fig. 6 viser typiske SRL-forankringer:

<b>A</b>	Forankring	<b>B</b>	Kobling	<b>C</b>	Festeadapter
----------	------------	----------	---------	----------	--------------

Velg forankringsstedet nøye for å minske frifall- og svingfallfarer (se Del 2). Velg et fast forankringspunkt som er i stand til å opprettholde de statiske belastningene som er definert i § 2.3. Rebel SRL-er må alltid forankres ved eller over brukerens bakre D-ring.

**VIKTIG:** Det anbefales at dette utstyret installeres under oppsyn av en kvalifisert person.

## 3.3 MONTERING AV SELE:

**Enkel SRL-helkroppsssele:** Rebel SRL kan tilkobles bakre D-ring med en karabinkrok eller hurtigkrok. (Se figur 8, eksempel 1 og 2 for tilkobling). Noen Rebel-modeller kommer med karabinkrok. Alle kommer med en hurtigkrok.

Koble sviveløyet (Rebel-komponenter vist i figur 2) til D-ringen på selen med karabinkroken som følger med enkelte Rebel-modeller (eller bruk en egnet festeanordning), eller bruk den medfølgende hurtigkroken for å koble til D-ringen. Den andre enden av Rebel må tilkobles et forankringspunkt (se del 2.3) med medfølgende karabinkrok (eller egnet festeanordning), eller medfølgende hurtigkrok.

**Dobbel SRL-selemontering med karabinkrok:** Enkelte Rebel SRL-modeller kommer med en karabinkrok (vist i figur 2) som kan koble to Rebel SRL-er til en helkroppsssele når bruksområdet krever 100 % feste. Karabinkroken fester to Rebel SRL ved siden av hverandre rett under bakre D-ring på selen. (Se figur 8, eksempel 3 på tilkobling)

Feste to Rebel SRL på en helkroppsssele med karabinkrok: (Se figur 7. A – selestroppe; B – Bakre D-ring; C – Sviveløye, SRL)

**Trinn 1: Løsne selestroppene:** Trekk selestroppene (A) ut der de passerer gjennom bunnen av den bakre D-ringen (B) til det er nok plass til å skyve karabinkroken mellom selestroppene og D-ringputen.

**Trinn 2: Åpne den trippelvirkende karabinkroken:** Vipp fjæren på karabinkroken (1) og vri den 45 grader (2) for å innrette sporet på fjæren med rammen. Skyv fjæren (3) innover for å åpne karabinkroken.

**Trinn 3: Fest den første Rebel SRL på karabinkroken:** Sett inn karabinkroken gjennom sviveløyet (C) på SRL-en.

**Trinn 4: Sett inn karabinkroken gjennom selestroppene:** Med karabinfjæren åpen, sett inn karabinkroken bak selestroppene. Vri karabinkroken bak selestroppen til karabinkroken omslutter selestroppene og den første Rebel SRL er posisjonert på høyre side av karabinkroken.

**Trinn 5: Fest den andre Rebel SRL på karabinkroken:** Sett inn karabinkroken gjennom sviveløyet (C) på den andre SRL-en. Posisjoner den andre SRL-en på venstre side av karabinfjæren.

**Trinn 6: Lukk karabinfjæren og lås den.**

**Sjekk festet for begge SRL-ene:** Når den er korrekt festet, skal karabinkroken gå gjennom selestroppene (A) og SRL-sviveløynene skal være festet på begge sider av karabinkroken. Trekk selestroppene (A) tilbake gjennom den bakre D-ringen og D-ringsputen for å ta opp slakk i stroppene og feste koblingen mellom selestroppene og D-ringsputen.

## 4.0 BRUK

**ADVARSEL:** Utstyret må ikke endres eller misbrukes. Kontakt Capital Safety dersom dette utstyret blir brukt sammen med andre komponenter eller delsystemer enn de som beskrives i denne veiledningen. Noen delsystemer og delekombinasjoner kan hindre bruken av dette utstyret. Vær forsiktig når utstyret brukes rundt bevegelige maskiner, elektriske farer, kjemiske farer, skarpe kanter eller overhengende materialer som kan falle på livlinen. Ikke vikle livlinen rundt små strukturelle ledd. Hvis denne advarselen ikke etterfølges, kan det føre til utstyrssvikt, alvorlig skade eller død.

**ADVARSEL:** Kontakt lege hvis du har grunn til å tro at du ikke har helse til å absorbere støtet fra en fallsikring. Alder og helse påvirker i stor grad evnen til å tåle et fall. Gravide og mindreårige må ikke bruke selvinntrekkende livlinier.

- 4.1 FØR HVER BRUK:** Før enhver bruk av dette fallsikringsutstyret, må det inspiseres nøye for å sørge for at det er i god stand. Se etter slitte eller ødelagte deler. Sikre at alle festene er til stede og sikre. Se at livlinen trekker seg inn på riktig måte ved å dra ut linen og la den trekkes sakte inn. Om det forekommer noen form for nøling eller pause i inntrekking, fjern SRL-en fra bruk, merk den som «UBRUKELIG» og avhend den på anbefalt vis (se «Del 5.4 – Avhending»). Kontroller livlinen med tanke på kutt, frynser, brannskader, klemskader og korrosjon. Sjekk låsemekanismen ved å dra hardt i linen. Se Del 5 for opplysninger om inspeksjon.
- 4.2 ETTER ET FALL:** Alt utstyr som er blitt utsatt for kreftene ved å stanse et fall eller som er skadet som en følge av fallsikringskreftene som beskrevet i Del 5, må øyeblikkelig tas ut av bruk, merkes med «UBRUKELIG» og avhendes på anbefalt vis (se «Del 5.4 – Avhending»).
- 4.3 KROPPSSTØTTE:** Helkroppssele må brukes når Rebel SRL brukes. For generell fallbeskyttelse, bruk D-ringen på ryggen som tilkoblingspunkt. Under situasjoner som klatring i stige kan det være nyttig å bruke tilkoblingen på forsiden av selen, over brukerens tyngdepunkt. Dette er akseptabelt, forutsatt at frifallhøyden er under 0,6 m (2") og at fotfestet enkelt kan gjenvinnes.

**VIKTIG:** Ikke bruk støttebelter til frifallbruk. Se OSHA 1926.502 for veiledning.

- 4.4 KOBLINGER:** Figur 8 illustrerer koblinger til kroppssele og forankringspunkter for Rebel SRL fallsikringssystemer. Når det benyttes krok som tilkobling, må du sørge for at utrulling ikke kan finne sted (se Fig. 4). Ikke bruk kroker eller koblinger som ikke lukker seg helt over gjenstanden som skal festes. Ikke bruk sikkerhetskroker som ikke kan låses. Forankringen må oppfylle kravene til forankringsstyrke som fremkommer av Del 2.3. Følg alltid produsentens instruksjoner som følger med hver systemkomponent.
- 4.5 ANVENDELSE:** Før bruk må SRL-en inspiseres som beskrevet i Del 5.0. Figur 8 viser systemkoblinger for typiske brukstilfeller med Rebel SRL. Koble Rebel SRL til et egnet forankringspunkt, eller monter SRL-en på baksiden av en full kroppssele i samsvar med instruksjonene i Del 3. På ankertilkoblede SRL-er, kobles kroken eller karabinkroken på lasteindikatoren til den bakre D-ringen på helkroppsselen. På selemonterte SRL-er, kobles kroken eller karabinkroken til et passende forankringspunkt. Påse at alle koblingene er kompatible i forhold til størrelse, form og styrke. Sørg for at krokene er fullstendig lukket og låst. Når festet er sikret, er brukeren fri til å bevege seg innen det anbefalte arbeidsområdet med normale hastigheter. Dersom et fall oppstår, vil SRL-en låse og stoppe fallet. Etter at brukeren er reddet, må SRL-en tas ut av bruk. Når du arbeider med SRL-er, skal livlinen alltid rulles kontrollert tilbake inn i enheten.

**ADVARSEL:** Ikke bind eller slå knute på livlinen. Unngå kontakt med skarpe eller slipende overflater. Sjekk livlinen regelmessig for kutt, slitasje, brannskader eller tegn på kjemisk skade. Smuss, forurensninger og vann kan redusere dielektriske egenskaper for livlinen. Vær forsiktig i nærheten av kraftledninger.

- 4.6 DOBBEL FALLSIKRING, 100 % FORANKRING:** Når to Rebel SRL monteres side om side på baksiden av en full kroppssele, kan SRL fallsikringssystemet brukes til kontinuerlig fallsikring (100 % forankring) når brukeren klatrer opp, ned eller beveger seg sidelengs. Med livlineenden på én SRL festet til forankringspunktet, kan brukeren bevege seg til et nytt sted, feste den ubrukte livlineenden på den andre SRL-en til et nytt forankringspunkt og deretter koble fra det første forankringspunktet. (se Fig.9A) Denne sekvensen gjentas til brukeren når frem til ønsket sted. Hensyn som må tas med forankring med dobbel SRL omfatter følgende:

- Koble aldri botheration SRL Lifelines til samme festepunkter. (Se figur 9B)
- Kobling av hver livline til et separat forankringspunkt er akseptabelt. (se Fig.9C)
- Koble aldri mer enn én person om gangen til et dobbelt fallsikringssystem. (se Fig.9D)
- Ikke la livlinene bli viklet inn eller vridd sammen da dette kan forhindre dem fra å trekkes tilbake.
- Ikke la linen gå under armene eller mellom bena under bruk.

**4.7 HORIZONTAL SYSTEMER:** I brukstilfeller der Rebel SRL brukes i forbindelse med et horisontalt system (dvs. horisontal livline, horisontal I-bjelkeløpekatt), må SRL-en og de horisontale systemkomponentene være kompatible. Horisontale systemer må utformes og installeres under overvåking av en kvalifisert ingeniør. Se veiledningen til det horisontale systemets utstyrsprodusenter for nærmere opplysninger.

## 5.0 INSPEKSJON

**5.1 INSPEKSJONSINTERVALLER:** Rebel SRL må inspiseres etter intervallene oppført i «Del 2.5 – Inspeksjonsintervaller». Inspeksjonsprosedyrer står beskrevet under «Sjekkliste for inspeksjon» (Tabell 2).

**5.2 USIKRE FORHOLD ELLER DEFEKTER:** Hvis inspeksjonen avdekker en usikker eller defekt tilstand, må SRL-en øyeblikkelig tas ut av bruk, merkes som «UBRUKELIG» og avhendes på anbefalt vis (se «Del 5.4 – Avhending»).

**5.3 LEVETID:** Den funksjonelle levetiden for Rebel SRL-er avhenger av arbeidstilstander og vedlikehold. Så lenge SRL-en oppfyller inspeksjonskriteriene, kan den brukes.

**5.4 AVHENDING:** Rebel SRL må avhendes hvis det har vært utsatt for fallkraft eller en inspeksjon avdekker en defekt eller usikker tilstand. Før du kaster SRL-en, må du kutte lasteindikatoren av livlinen, eller på annen måte deaktivere SRL-en slik at den ikke kan bli brukt igjen ved et uhell.

## 6.0 VEDLIKEHOLD, SERVICE OG OPPBEVARING

**6.1 RENGJØRING:** Rengjøringsprosedyrer for Rebel SRL-er er som følger:

- Rengjør jevnlig utsiden av SRL-en regelmessig med vann og mildt vaskemiddel. Plasser SRL-en slik at vannet kan renne ut. Rengjør etikettene etter behov.
- Rengjør livlinen med vann og et mildt vaskemiddel. Skyll og lufttørk fullstendig. Ikke bruk påtvungen varme for å tørke. Livlinen må tørke før den trekkes inn i huset igjen. En overdreven opphoping av smuss, maling osv. kan forhindre at livlinen trekkes helt tilbake i huset og kan føre til en potensiell fare for fritt fall.

**VIKTIG:** Hvis livlinen utsettes for syrer eller andre kaustiske kjemikalier, må SRL-en tas ut av bruk og vaskes med en mild såpeløsning. Inspiser SRL-en i samsvar med tabell 2 før den tas i bruk igjen.

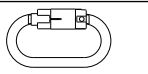

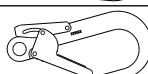

**6.2 SERVICE:** Rebel SRL-er kan ikke repareres. Hvis SRL-en har vært utsatt for fallkrefter eller inspeksjonen avdekker en usikker eller defekt tilstand, må SRL-en øyeblikkelig tas ut av bruk, merkes som «UBRUKELIG» og avhendes på anbefalt vis (se «Del 5.4 – Avhending»).

**6.3 OPPBEVARING:** Lagre Rebel SRL på et kjølig, tørt og rent sted, utenfor direkte sollys. Unngå områder der det kan finnes gasser fra kjemikalier. Inspiser SRL-en nøye etter en lengre lagringsperiode.

## 7.0 SPESIFIKASJONER

**7.1 YTELSE:** Din Rebel SRL har blitt testet og sertifisert i samsvar med kravene til ytelse i standarden(e) på omslaget til denne brukerveiledningen. Se «Del 2.0 – Begrensninger og krav» for spesifikasjoner.

**7.2 MATERIALER:** Materialspesifikasjonene for Rebel SRL er som følger:

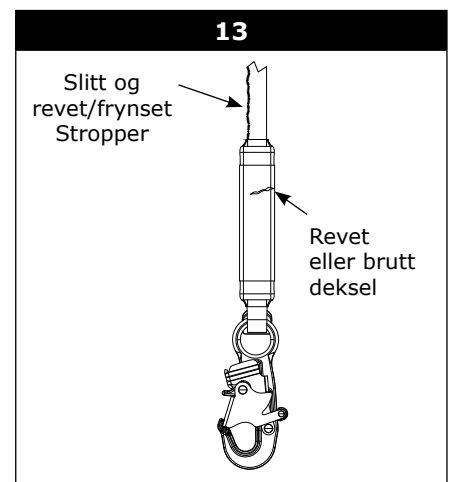
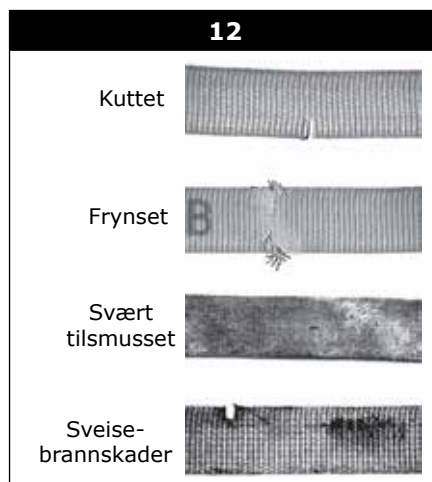
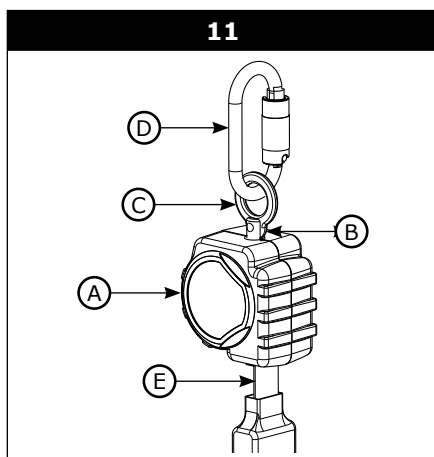
<b>Hus:</b>	Nylon, UV-bestandig	<b>Motorfjær:</b>	Rustfritt stål	
<b>Trommel:</b>	Nylon, type 6/6	<b>Svivel:</b>	Forsinket stål	
<b>Festemidler:</b>	Sinkbelagte stålskruer, nagler i rustfritt stål	<b>Livline:</b>	Polyesternett	
<b>Sperrehaker:</b>	Rustfritt stål	<b>Lasteindikator</b>	Deksel: PVC-rør Stroppenett: Polyester	
<b>Hovedaksel:</b>	Rustfritt stål			
<b>Endekoblinger:</b> (Se figur 1)			Portåpning	Portstyrke
	C	 Stålkarakbinkrok	19 mm (3/4")	16 kN (3600 lbf)
	D	 Stålkroke	19 mm (3/4")	1 kN (225 lbf)
	E	 Forsterket stålkrok	57 mm (2 1/4")	16 kN (3600 lbf)
	F	 Stålkroke	19 mm (3/4")	16 kN (3,600 lbf)

**7.3 MERKING:** Figur 10 viser merking på Rebel SRL. Alle merkene må være til stede og fullt lesbare.

<b>1</b>	Inspiser enheten visuelt. Les instruksjonene.
<b>2</b>	Inspiser SRL-ens låsemekanisme. Maksimalt én bruker.
<b>3</b>	Korrekt måte å koble SRL-en til selen på.
<b>4</b>	Kan kobles til et forankringspunkt over, under eller på nivå med den bakre D-ring. Maks 140 kg (310 lbs).
<b>5</b>	Brukstemperatur fra -40 °C til +60 °C.
<b>6</b>	Maksimal kapasitet er 140 kg.
<b>7</b>	La alltid livlinen rulles inn igjen i SRL-en under kontroll.
<b>8</b>	Ikke reparer.
<b>9</b>	Oppbevares innendørs.
<b>10</b>	Ikke plasser SRL-huset på en kant under bruk.
<b>11</b>	Ikke fjern etiketten.

**Tabell 2 – Sjekkliste for inspeksjon**

Komponent:	Inspeksjon:	Bestått	Ikke bestått
SRL (Figur 11)	Sjekk for løse fester eller bøyd og ødelagte deler.	<input type="checkbox"/>	<input type="checkbox"/>
	Kontroller at hylsen (A) ikke har vridninger, sprekker eller andre skader.	<input type="checkbox"/>	<input type="checkbox"/>
	Sjekk svivelen (B) og sviveløyet (C) og karabinkroken (D) for defekter, sprekker eller annen skade. Svivelen må festes godt til SRL-en, men skal kunne svinge fritt. Sviveløyet eller den integrerte koblingen må kunne rotere fritt i svivelen.	<input type="checkbox"/>	<input type="checkbox"/>
	Nettlivlinen (E) skal rulles ut og trekkes inn uten nøling eller slakkhet i linen.	<input type="checkbox"/>	<input type="checkbox"/>
	Påse at SRL låser når det blir rykket kraftig i livlinen. Blokkering skal være total med ingen glidende overgang.	<input type="checkbox"/>	<input type="checkbox"/>
	Alle merker må være synlige og fullt lesbare. (se Figur 10).	<input type="checkbox"/>	<input type="checkbox"/>
	Sjekk hele SRL for tegn på korrosjon.	<input type="checkbox"/>	<input type="checkbox"/>
Livline med stropper (Figur 12)	Inspiser livlinen for konsentrert slitasje, frynsete kordeler, ødelagt garn, brannskader, kutt og avsliping. Livlinen må være fri for knuter i hele dens lengde. Inspiser for overdrevne mengder skitt, oppbygning av maling og rustflekker. Se etter skader fra kjemikalier og varme som vises i form av brun farge, misfarging eller sprøe områder. Kontroller om det finnes ultrafiolett skade som vises ved misfarging og splinter eller fliser på livlinens overflate.	<input type="checkbox"/>	<input type="checkbox"/>
Lasteindikator (Figur 13)	Inspiser lasteindikatoren for å avgjøre om den har vært aktivert. Det skal ikke være tegn på strekking, og dekslet skal være fast og uten rifter eller annen skade.	<input type="checkbox"/>	<input type="checkbox"/>
Endekoblinger (Figur 1)	Figur 1 viser endekoblingene som kan følge med på din Rebel SRL-modell. Inspiser alle låsekroker, karabinkroker, armerte kroker, koblinger etc. for tegn på skade, korrosjon og generell stand. I den grad det er aktuelt: Svivler skal kunne rotere fritt. Alle kroker skal kunne åpnes, lukkes, låses og løsnes på riktig måte.	<input type="checkbox"/>	<input type="checkbox"/>





**AVISO:** Este produto faz parte de um sistema de paragem de queda individual, de posicionamento no trabalho ou de salvamento. O utilizador deve seguir as instruções do fabricante para cada componente do sistema. Estas instruções têm de ser fornecidas ao utilizador deste equipamento. O utilizador tem de ler e compreender estas instruções antes de utilizar o equipamento. As instruções do fabricante têm de ser seguidas para a utilização e manutenção correta deste equipamento. A modificação ou utilização incorreta deste produto ou o incumprimento destas instruções podem provocar ferimentos graves ou a morte.

**IMPORTANTE:** Se tiver dúvidas sobre a utilização, cuidados ou conformidade deste equipamento para a sua aplicação, contacte a Capital Safety.

**IMPORTANTE:** Antes de utilizar este equipamento, registe os dados de identificação do produto na etiqueta de identificação no registo de inspeção e manutenção deste manual.

## REFERÊNCIAS DO GLOSSÁRIO

As referências do glossário numeradas na capa destas instruções indicam os seguintes componentes:

- |   |  |   |  |
|---|--|---|--|
| ① | Instruções para o utilizador.              | ④ | Normas.  |
| ② | Cordas de segurança autorretráteis Rebel™. | ⑤ | Número da instituição que efetuou o teste CE.          |
| ③ | Números de modelo: (consulte a Figura 1).  | ⑥ | Número da instituição a verificar o fabrico deste EPI. |

## DESCRIÇÕES:

As Rebel SRL são Cordas de segurança autorretráteis com 2,0 metros (6 pés), equipadas com um indicador de carga alinhado, que retraem para um invólucro termoplástico. As Rebel SRL estão disponíveis em várias configurações de modelos que permitem a fixação a um ponto de ancoragem, montagem simples ou dupla num arnês de corpo inteiro ou equipamento semelhante (consulte a Figura 1). A Rebel SRL bloqueia automaticamente no início de uma queda para parar a mesma, mas deixa correr e recolhe a corda de segurança durante o movimento normal do utilizador.

A Figura 2 ilustra os principais componentes das Rebel SRL:

<b>A</b>	Cabeça giratória	<b>B</b>	Olhal giratório	<b>C</b>	Mosquetão (opcional)	<b>D</b>	Invólucro
<b>E</b>	Corda de segurança do tipo cordame	<b>F</b>	Indicador de carga	<b>G</b>	Gancho de engate rápido		

## 1.0 APLICAÇÕES

- 1.1 FINALIDADE:** As cordas de segurança autorretráteis (Self Retracting Lifelines, SRL) da Capital Safety são concebidas para ser um sistema pessoal de paragem de queda (PFAS). A Figura 1 ilustra as SRL abrangidas por este manual de instruções e as suas aplicações normais. Podem ser utilizadas na maioria das situações em que é necessária a combinação entre a mobilidade do trabalhador e a proteção antiqueda (ex.: trabalho de inspeção, construção geral, trabalho de manutenção, produção de petróleo, trabalho em espaços confinados, etc.).
- 1.2 NORMAS:** A sua SRL está em conformidade com as normas nacionais identificadas na capa destas instruções.
- 1.3 FORMAÇÃO:** Este equipamento destina-se a ser utilizado por pessoas formadas na sua aplicação e utilização corretas. Compete ao utilizador certificar-se de que está familiarizado com estas instruções e de que adquire a formação sobre os cuidados e utilização corretos deste equipamento. Os utilizadores têm de estar conscientes das características de funcionamento, dos limites de aplicação e das consequências da sua utilização incorreta.

## 2.0 LIMITAÇÕES E REQUISITOS

Tenha sempre em consideração as seguintes limitações e requisitos quando instalar ou utilizar este equipamento:

- 2.1 CAPACIDADE:** As SRL são concebidas para serem utilizadas por uma pessoa com um peso combinado (pessoa, vestuário, ferramentas, etc.) que não exceda os 140 kg (310 lb) e com o mínimo de 34 kg (75 lb). Nenhuma SRL simples deverá ser utilizada por mais do que uma pessoa para aplicações de paragem de queda.
- 2.2 FORÇA DE PARAGEM MÁXIMA E DISTÂNCIA DE PARAGEM MÁXIMA:** As SRL indicadas nestas instruções respeitam os seguintes valores máximos de força de paragem:

<b>Peso do funcionário</b>	<b>Até 140 kg (310 lb)</b>
<b>Força de paragem média</b>	4,0 kN (900 lb)
<b>Força de paragem máxima</b>	6,0 kN (1350 lb)

- 2.3 ANCORAGEM:** A estrutura de ancoragem para a SRL tem de ter capacidade para suportar cargas até 12 kN (2700 lb). Os dispositivos de ancoragem têm de estar em conformidade com a norma EN795.

**AVISO:** O ponto de ancoragem tem de se encontrar à mesma altura ou acima da extremidade onde pode ocorrer uma queda. O incumprimento destas instruções poderá resultar em avaria do equipamento, lesões graves ou morte.

- 2.4 PLANO DE SALVAMENTO:** Quando utilizar este equipamento, a entidade patronal tem de ter um plano de salvamento e os meios disponíveis para o implementar, devendo comunicar esse plano aos utilizadores, pessoas autorizadas e equipas de salvamento.
- 2.5 FREQUÊNCIA DE INSPEÇÕES:** As SRL devem ser inspecionadas pela pessoa autorizada<sup>1</sup> ou elemento de socorro<sup>2</sup> antes de cada utilização. Adicionalmente, as inspeções devem ser realizadas por uma pessoa competente<sup>3</sup> que não o utilizador, e por uma entidade de inspeção autorizada pelo fabricante. A pessoa competente deve utilizar o Calendário de Inspeção (Tabela 1) para determinar os intervalos de inspeção adequados. Os procedimentos de inspeção estão descritos na "Lista de verificação de inspeções" (Tabela 2). Os resultados da inspeção pela Pessoa Competente devem ser registados no "Registo de Inspeção e Manutenção" nas últimas páginas destas instruções.

**Tabela 1 – Calendário de inspeção**

Tipo de utilização	Exemplos de aplicação	Condições de utilização	Frequência de inspeções		
			Pessoa competente	Autorizada pelo fabricante	Utilizador
Não frequente a leve	Salvamento e espaço confinado, manutenção de fábrica	Boas condições de armazenamento, utilização em espaços fechados ou utilização não frequente em espaços abertos, temperatura ambiente, ambientes limpos	Anualmente	Pelo menos a cada 2-5 anos, mas não superior aos intervalos exigidos pelo fabricante	Antes de cada utilização
Moderado a pesado	Transportes, construção de casas, serviços públicos, armazém	Condições razoáveis de armazenamento, utilização em espaços fechados e utilização prolongada em espaços abertos, todas as temperaturas, ambientes limpos ou poeirentos	Semestral ou anualmente	Pelo menos a cada 1-2 anos, mas não superior aos intervalos exigidos pelo fabricante	Antes de cada utilização
Severo a contínuo	Construção comercial, indústria petrolífera, exploração mineira	Fracas condições de armazenamento, utilização prolongada ou contínua em espaços abertos, todas as temperaturas, ambientes sujos	Trimestral ou semestralmente	Pelo menos anualmente, mas não superior aos intervalos exigidos pelo fabricante	Antes de cada utilização

- 2.6 VELOCIDADE DE BLOQUEIO:** Devem ser evitadas as situações que não permitem uma trajetória de queda livre. Trabalhar em espaços confinados ou exíguos pode não permitir que o corpo atinja a velocidade necessária para fazer com que a SRL bloqueie em caso de queda. Trabalhar em material instável, tal como a areia ou grãos, pode não permitir atingir a velocidade necessária para provocar o bloqueio da SRL. É necessária uma trajetória desimpedida para assegurar o bloqueio positivo da SRL.
- 2.7 FUNCIONAMENTOS NORMAIS:** O funcionamento normal irá permitir que a corda de segurança estique ou recolha totalmente sem hesitações e que não hajam folgas à medida que o trabalhador se movimenta a velocidades normais. No caso de ocorrer uma queda, o sistema de freio com deteção de velocidade é ativado, parando a queda e absorvendo muita da energia criada. Para quedas que irão ocorrer próximo da extremidade do curso da corda de segurança, foi incorporado um sistema de corda de segurança de reserva ou indicador de carga para assegurar uma paragem de queda com impacto reduzido. Se a SRL tiver sido sujeita a forças de paragem de queda, retire a SRL do serviço, marque-a como "INUTILIZÁVEL" e elimine-a de acordo com as recomendações (consulte a "Secção 5.4 - Eliminação"). Devem ser evitados movimentos repentinos ou rápidos durante o funcionamento normal, pois podem provocar o bloqueio da SRL.
- 2.8 QUEDA LIVRE:** Quando ancoradas acima da cabeça, as SRL irão limitar a distância de queda livre até 60 cm (2 pés) ou menos. Para evitar elevadas distâncias de queda, prenda a SRL diretamente acima do trabalhador. Evite trabalhar no local onde a sua corda de segurança se pode cruzar ou emaranhar com a de outro trabalhador. Evite trabalhar no local onde um objeto pode cair e atingir a corda de segurança, provocando a perda de equilíbrio ou danos na mesma. Não permita que a corda de segurança passe por baixo dos braços ou entre as pernas. Nunca prenda, amarre ou deixe que a corda de segurança recolha ou estique. Evite folga na corda. **Não aumente o comprimento da SRL fazendo a ligação de um cabo de tração ou componente semelhante sem consultar a Capital Safety.**
- 2.9 DISTÂNCIA DE QUEDA:** A Figura 3A ilustra a Distância de queda exigida em metros entre o nível de trabalho e a obstrução mais próxima para um utilizador com até 140 kg (310 lb) de peso total.  $X$  = distância entre o nível de trabalho e a obstrução mais próxima. Assegure-se de que existe um espaço livre adequado no trajeto de queda para evitar o impacto com um objeto. Não prenda a amarração abaixo da Argola em D dorsal do arnês. Se o trabalhador estiver a trabalhar numa posição que não está diretamente abaixo do ponto de ancoragem da SRL, a distância necessária e a distância de queda vertical serão mais elevadas.
- 2.10 QUEDAS EM OSCILAÇÃO:** As quedas em oscilação ocorrem quando o ponto de ancoragem não está diretamente acima do ponto onde a queda ocorre (consulte a Figura 3B). A força de embate num objeto numa queda em oscilação pode provocar ferimentos graves. Numa queda em oscilação, a distância total de queda vertical será maior do que se o utilizador tivesse caído diretamente abaixo do ponto de ancoragem, aumentando assim a distância de queda necessária para prender com segurança o utilizador. Utilize a Figura 3A para determinar a distância de queda para a sua aplicação.  $X$  = distância entre o nível de trabalho e a obstrução mais próxima. Minimise as quedas em oscilação trabalhando o mais possível diretamente abaixo do ponto de ancoragem. Nunca permita uma queda em oscilação caso haja risco de ferimentos.

**1 Pessoa autorizada:** Pessoa designada pela entidade empregadora para realizar trabalhos numa localização em que a pessoa estará exposta a perigo de queda.

**2 Elemento de socorro:** Pessoa ou pessoas (sem ser a pessoa a ser socorrida) que procedem a uma ação de salvamento assistido, mediante a utilização de um sistema de salvamento.

**3 Pessoa competente:** Uma pessoa designada pelo empregador para ser o responsável pela supervisão imediata, implementação e monitorização do programa de proteção antiqueda gerido pelo empregador que, através de formação e conhecimentos, é capaz de identificar, avaliar e solucionar perigos de queda existentes e potenciais e que tem a autoridade do empregador para tomar medidas de correção imediatas relativamente a esses perigos.



- 2.11 PERIGOS:** A utilização deste equipamento em áreas onde existem riscos envolventes pode exigir precauções adicionais para reduzir a possibilidade de ferimentos ao utilizador ou danos no equipamento. Os riscos podem incluir, mas de forma não limitativa: elevadas temperaturas, produtos químicos cáusticos, ambientes corrosivos, linhas de alta tensão, gases explosivos ou tóxicos, equipamentos móveis, arestas aguçadas ou materiais localizados acima da cabeça que podem cair e embater no utilizador ou no sistema de paragem de queda.
- 2.12 ARESTAS AGUÇADAS:** Evite trabalhar no local onde a corda de segurança poderá estar em contacto ou raspar em arestas aguçadas sem proteção. Nos casos em que é possível o contacto com arestas aguçadas, tape a aresta com material de proteção.
- 2.13 APOIO DE CORPO INTEIRO:** Tem de ser utilizado um arnês de corpo inteiro com a SRL. O ponto de ligação do arnês tem de estar acima do centro de gravidade do utilizador. Um cinto de corpo inteiro não pode ser utilizado com a SRL. Se ocorrer uma queda aquando da utilização de um cinto de corpo inteiro, este pode provocar a libertação involuntária e possível asfixia devido ao apoio de corpo inteiro inadequado.
- 2.14 COMPATIBILIDADE DOS COMPONENTES:** Salvo indicação em contrário, o equipamento da Capital Safety é concebido para ser utilizado apenas com os componentes e subsistemas aprovados pela Capital Safety. As substituições efetuadas com componentes ou subsistemas não aprovados podem comprometer a compatibilidade do equipamento e podem afetar a segurança e fiabilidade de todo o sistema.

**IMPORTANTE:** *Leia e siga as instruções do fabricante para componentes e subsistemas associados no seu sistema de paragem de queda individual.*

- 2.15 COMPATIBILIDADE DOS CONECTORES:** Os conectores são considerados compatíveis com elementos de ligação quando são concebidos para trabalhar em conjunto de modo a que os seus tamanhos e formas não provoquem a abertura involuntária dos seus mecanismos de fecho, independentemente da forma como ficam orientados. Contacte a Capital Safety se tiver quaisquer dúvidas sobre a compatibilidade.

Os conectores utilizados para suspender a SRL têm de estar em conformidade com a norma EN362. Os conectores têm de ser compatíveis com a ancoragem ou com outros componentes do sistema. Não utilize equipamento que não seja compatível. Os conectores incompatíveis podem desprender-se involuntariamente (consulte a Figura 4). Os conectores têm de ser compatíveis em tamanho, forma e resistência. São necessários ganchos de engate rápido e mosquetões. Se o elemento de ligação ao qual se fixa o gancho de engate rápido ou mosquetão for demasiado pequeno ou tiver uma forma irregular, pode ocorrer uma situação no local onde o elemento de ligação aplica uma força à lingueta do gancho de engate rápido ou mosquetão (A). Esta força pode provocar a abertura da lingueta (B), permitindo que o gancho de engate rápido ou mosquetão se solte do ponto de ligação (C).

- 2.16 FAZER LIGAÇÕES:** Os ganchos de engate rápido e mosquetões utilizados com este equipamento têm de ser de bloqueio automático. Certifique-se de que todas as ligações são compatíveis em tamanho, forma e resistência. Não utilize equipamento que não seja compatível. Certifique-se de que todos os conectores estão totalmente fechados e bloqueados.

Os conectores da Capital Safety (ganchos de engate rápido e mosquetões) são concebidos para ser utilizados apenas conforme especificado nas instruções de utilização do produto. Consulte a Figura 5 para visualizar exemplos de ligações incorretas. Não ligue ganchos de engate rápido e mosquetões:

- A. A uma argola em D onde esteja preso outro conector.
- B. De forma a provocar uma sobrecarga na lingueta.
- C. Num encaixe incorreto, onde os componentes que sobressaem do gancho de engate rápido ou mosquetão ficam presos na ancoragem e que, sem confirmação visual, parecem estar totalmente encaixados ao ponto de ancoragem.
- D. Entre si.
- E. Diretamente à malha de rede ou cabo de tração de corda ou de amarração traseira (a não ser que as instruções do fabricante, para o cabo de tração e conector, autorizem especificamente essa ligação).
- F. A qualquer objeto que tenha uma forma ou dimensão que não permita que o gancho de engate ou mosquetão feche ou tranque, ou de modo a que possa ocorrer um deslizamento.
- G. De forma a não permitir que o conector fique corretamente alinhado enquanto estiver sujeito a sobrecarga.

### 3.0 INSTALAÇÃO

**3.1 PLANEAMENTO:** Planeie o seu sistema de proteção antiqueda antes de iniciar o trabalho. Tenha em consideração todos os fatores que possam afetar a sua segurança antes, durante e após uma queda. Tenha em consideração todos os requisitos e limitações definidos na Secção 2.

**IMPORTANTE:** Na maioria das aplicações, a Rebel SRL pode ser ligada ao local de ancoragem ou ao local dorsal do arnês. São permitidas ambas as orientações.

### 3.2 ANCORAGEM:

A Figura 6 ilustra as ligações normais de ancoragem da SRL:

<b>A</b>	Ancoragem	<b>B</b>	Conector	<b>C</b>	Adaptador para amarração
----------	-----------	----------	----------	----------	--------------------------

Selecione um local de ancoragem com riscos mínimos de queda livre e de queda em oscilação (consulte a Secção 2). Selecione um ponto de ancoragem rígido capaz de sustentar as cargas estáticas definidas na Secção 2.3. As Rebel SRL devem ser sempre ancoradas em ou acima da Argola em D dorsal do utilizador.

**IMPORTANTE:** É recomendado que este equipamento seja instalado sob a supervisão de uma pessoa qualificada.

### 3.3 OPÇÕES DE MONTAGEM DO ARNÊS:

**Montagem de arnês de corpo inteiro SRL simples:** A Rebel SRL pode ser ligada à Argola em D dorsal do arnês com um mosquetão ou gancho de engate rápido. (Consulte a Figura 8, exemplos de ligação 1 e 2). Alguns modelos Rebel incluem um mosquetão. Todos incluem um gancho de engate rápido.

Conecte o olhal giratório (componentes Rebel identificados na Figura 2) à Argola em D no arnês usando o mosquetão incluído em alguns modelos Rebel (ou use um conector devidamente classificado), ou utilize o gancho de engate rápido para conectar à Argola em D. O extremo oposto da Rebel deve estar conectado a um ponto de ancoragem (ver Secção 2.3) com um mosquetão incluído (ou conector devidamente classificado), ou o gancho de engate rápido incluído.

**Montagem de arnês SRL duplo usando um mosquetão:** Alguns modelos Rebel SRL incluem um mosquetão (identificado na Figura 2) que pode conectar duas Rebel SRL a um arnês de corpo inteiro nas aplicações de subida que exigem amarração de 100%. O mosquetão monta duas Rebel SRL lado a lado mesmo abaixo da Argola em D dorsal do arnês. (Consulte a Figura 8, exemplo de ligação 3)

Para montar duas Rebel SRL num arnês de corpo inteiro com o mosquetão: (Consulte a Figura 7. A - Cintas de amarração; B - Argola em D dorsal; C - Olhal giratório, SRL)

**Passo 1: Solte a malha de rede do arnês:** Puxe para fora as cintas de amarração (A) no local onde passam através da parte inferior da argola em D dorsal (B) até haver espaço suficiente para fazer deslizar o mosquetão entre as cintas de amarração e a almofada da Argola em D.

**Passo 2: Abra o mosquetão de tripla ação:** Levante a lingueta do mosquetão (1) e rode-a 45 graus (2) para alinhar a ranhura na lingueta com a estrutura do mosquetão. Puxe a lingueta (3) para dentro para abrir o mosquetão.

**Passo 3: Monte a primeira Rebel SRL no mosquetão:** Insira o mosquetão através do olhal giratório (C) na SRL.

**Passo 4: Insira o mosquetão através das cintas de amarração:** Com a lingueta do mosquetão aberta, insira o mosquetão por trás das cintas de amarração. Rode o mosquetão por detrás das cintas de amarração até o mosquetão circundar as cintas de amarração e a primeira Rebel SRL estar posicionada no lado direito do mosquetão.

**Passo 5: Monte a segunda Rebel SRL no mosquetão:** Insira o mosquetão através do olhal giratório na segunda SRL. Posicione a segunda SRL no lado esquerdo da lingueta do mosquetão.

**Passo 6: Deixe que a lingueta do mosquetão feche e tranque.**

**Verificar a montagem de ambas as SRL:** Quando devidamente montadas, o mosquetão deve passar através das cintas de amarração (A) e os olhais giratórios da SRL devem ser fixos a ambos os lados da lingueta do mosquetão. Puxe as cintas de amarração (A) através da argola em D dorsal e da almofada da argola em D de modo a eliminar folgas na malha de rede e fixe o mosquetão entre as cintas de amarração e a almofada da argola em D.

### 4.0 UTILIZAÇÃO

**AVISO:** Não altere nem utilize intencionalmente este equipamento de forma inadequada. Consulte a Capital Safety quando utilizar este equipamento em combinação com componentes ou subsistemas diferentes dos descritos neste manual. Algumas combinações de subsistemas e componentes podem interferir com o funcionamento deste equipamento. Tenha cuidado quando utilizar este equipamento perto de maquinaria em movimento, perigos elétricos, perigos químicos, arestas aguçadas ou materiais suspensos que possam cair sobre a corda de segurança. Não enrole a corda de segurança à volta de membros estruturais pequenos. O incumprimento destas instruções poderá resultar em avaria do equipamento, lesões graves ou morte.

**AVISO:** Consulte o seu médico se tiver motivos para duvidar da sua aptidão física para absorver em segurança o choque de uma paragem de queda. A idade e a aptidão física afetam seriamente a capacidade de um trabalhador para suportar quedas. Grávidas e menores de idade não deverão utilizar as cordas de segurança autorretráteis.

- 4.1 ANTES DE CADA UTILIZAÇÃO:** Antes de cada utilização deste equipamento de proteção antiqueda, inspecione-o cuidadosamente para se certificar de que se encontra nas devidas condições de trabalho. Verifique se existem peças desgastadas ou danificadas. Certifique-se de que todos os elementos de fixação estão colocados e seguros. Verifique se a corda de segurança está a recolher corretamente puxando-a para fora e deixando que recolha lentamente. Se verificar alguma hesitação durante a retração, retire a SRL de serviço, marque-a como "INUTILIZÁVEL" e elimine-a de acordo com as recomendações (ver "Secção 5.4 - Eliminação"). Inspeção a corda de segurança quanto a cortes, fios partidos, queimaduras, esmagamentos e corrosão. Verifique a ação de bloqueio, puxando bruscamente a corda. Consulte a secção 5 para obter mais informações sobre a inspeção.
- 4.2 APÓS UMA QUEDA:** Qualquer equipamento que tenha sido sujeito a forças de paragem de uma queda ou que apresente danos consistentes com o efeito de forças de paragem de queda, conforme descrito na Secção 5, deve ser imediatamente retirado de serviço, marcado como "INUTILIZÁVEL" e eliminado de acordo com as recomendações (consulte a "Secção 5.4 - Eliminação").
- 4.3 APOIO DE CORPO INTEIRO:** Ao utilizar uma Rebel SRL, deve usar um arnês de corpo inteiro. Para utilizações de proteção geral contra quedas, prenda à argola em D (dorsal) traseira. Para situações, tais como subida de escadas, pode ser útil prender à parte frontal do arnês acima do centro de gravidade do trabalhador. Isso é aceitável desde que a potencial queda livre seja inferior a 60 cm (2 pés) e que se possa voltar a pousar facilmente os pés.

**IMPORTANTE:** Não utilize um cinto de corpo inteiro para aplicações de queda livre. Ver a norma OSHA 1926.502 para indicações.

- 4.4 FAZER LIGAÇÕES:** A Figura 8 ilustra as ligações de arnês e de ancoragem para os sistemas de paragem de queda Rebel SRL. Ao utilizar um gancho para estabelecer uma ligação, certifique-se de que não existe a possibilidade de deslizamento (consulte a Figura 4). Não utilize ganchos ou conectores que não fechem completamente sobre o objeto de fixação. Não utilize ganchos de engate rápido de bloqueio automático. A ancoragem tem de estar em conformidade com os requisitos de resistência da ancoragem indicados na secção 2.3. Siga as instruções do fabricante fornecidas com cada componente de sistema.
- 4.5 FUNCIONAMENTO:** Antes da utilização, inspecione a SRL conforme descrito na secção 5.0. A Figura 8 mostra as ligações do sistema para aplicações normais Rebel SRL. Ligue a Rebel SRL a uma ancoragem correta ou monte a SRL na parte traseira de um arnês de corpo inteiro conforme as instruções na Secção 3. Em SRL ligadas a uma ancoragem, ligue o gancho ou mosquetão no indicador de carga à argola em D dorsal no arnês de corpo inteiro. Nas SRL montadas em arneses, ligue o gancho ou mosquetão a uma ancoragem correta. Certifique-se de que todas as ligações são compatíveis em tamanho, forma e resistência. Certifique-se de que os mosquetões estão totalmente fechados e bloqueados. Logo que se encontre ancorado, o trabalhador é livre de se movimentar dentro da área de trabalho recomendada e à velocidade normal. Em caso de queda, a SRL irá bloquear e pará-la. Após o salvamento não continue a utilizar a SRL. Quando trabalhar com uma SRL, permita sempre que a corda de segurança recolha para dentro do dispositivo sob controlo.

**AVISO:** Não ate nem dê nós na corda de segurança. Evite que a corda de segurança entre em contacto com superfícies cortantes ou abrasivas. Inspeção frequentemente a corda de segurança procurando cortes, fios soltos, queimaduras ou sinais de danos químicos. Sujidade, contaminantes e água podem reduzir as propriedades dielétricas da corda de segurança. Tenha cuidado perto de cabos de alta tensão.

- 4.6 INTERFACE DE PERNA DUPLA DE AMARRAÇÃO 100%:** Quando duas Rebel SRL são montadas lado a lado na parte traseira de um arnês de corpo inteiro, o sistema de paragem de queda SRL pode ser utilizado para uma proteção antiqueda contínua (amarração a 100%) em subidas, descidas ou deslocamentos laterais. Com a perna da corda de segurança de uma SRL presa a um ponto de ancoragem, o trabalhador pode mover-se para outro local, prender a perna da corda de segurança da outra SRL que não está a utilizar a outro ponto de ancoragem e, em seguida, desprender-se do ponto de ancoragem original. (consulte a Figura 9A) A sequência repete-se até o trabalhador chegar ao local pretendido. As considerações para aplicações de amarração a 100% de duas pernas incluem o seguinte:
- Nunca ligue botheration SRL Lifelines til mesmos pontos de fixação. (Veja figura 9B)
  - A ligação de cada corda de segurança a um ponto de ancoragem em separado é aceitável. (consulte a Figura 9C)
  - Nunca ligue mais do que uma pessoa de cada vez a um sistema de duas pernas. (consulte a Figura 9D)
  - Não permita que as cordas de segurança fiquem enroladas ou torcidas, o que poderia impedir a respetiva retração.
  - Não permita que as cordas de segurança passem sob os braços ou entre as pernas durante o uso.
- 4.7 SISTEMAS HORIZONTAIS:** Em aplicações em que uma Rebel SRL é utilizada em conjunto com um sistema horizontal (por exemplo, corda de segurança horizontal, trólei de vigas em I horizontal), os componentes da SRL e do sistema horizontal devem ser compatíveis. Os sistemas horizontais deverão ser concebidos e instalados sob a supervisão de um engenheiro qualificado. Consulte as instruções do fabricante do equipamento do sistema horizontal para obter mais informações.

## 5.0 INSPEÇÃO

- 5.1 FREQUÊNCIA DE INSPEÇÃO:** A Rebel SRL tem de ser inspecionada em intervalos definidos na "Secção 2.5 - Frequência de inspeção". Os procedimentos de inspeção estão descritos na "Lista de verificação de inspeção" (Tabela 2).
- 5.2 CONDIÇÕES PERIGOSAS OU DEFEITUOSAS:** Se a inspeção revelar condições perigosas ou defeituosas, retire a SRL de serviço, marque-a como "INUTILIZÁVEL" e elimine-a de acordo com as recomendações (consulte a "Secção 5.4 - Eliminação").
- 5.3 VIDA DO PRODUTO:** A vida funcional das Rebel SRL é determinada pelas condições de trabalho e manutenção. Enquanto a SRL passar os critérios de inspeção, poderá continuar a ser usada.
- 5.4 ELIMINAÇÃO:** Elimine a Rebel SRL se esta tiver sido sujeita à força de uma queda ou se a inspeção revelar uma condição perigosa ou defeituosa. Antes de eliminar a SRL, retire o indicador de carga da corda de segurança do tipo cordame ou desative a SRL para eliminar a possibilidade de reutilização indevida.

## 6.0 MANUTENÇÃO, REPARAÇÃO E ARMAZENAMENTO

**6.1 LIMPEZA:** Os procedimentos de limpeza da Rebel SRL são os seguintes:

- Limpe periodicamente o exterior da SRL com uma solução de sabão suave e água. Posicione a SRL de tal forma que o excesso de água possa ser drenado. Limpe as etiquetas, conforme necessário.
- Limpe a corda de segurança do tipo cordame com uma solução de sabão suave e água. Passe por água e deixe secar completamente ao ar. Não aplique calor para acelerar a secagem. A corda de segurança deve estar seca antes de a recolher no invólucro. Uma acumulação excessiva de sujidade, tinta, etc. poderá impedir a retração total da corda de segurança no invólucro, causando um risco potencial de queda livre.

**IMPORTANTE:** Se a corda de segurança entrar em contacto com ácidos ou outros químicos cáusticos, retire a SRL de serviço e lave-a com uma solução de sabão suave e água. Inspeccione a SRL conforme a Tabela 2 antes de a recolocar em serviço.

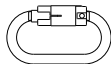

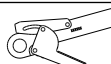

**6.2 REPARAÇÃO:** As Rebel SRL não têm reparação. Se a SRL tiver sido sujeita a forças de paragem de queda ou a inspeção revelar condições perigosas ou defeituosas, retire a SRL do serviço, marque-a como "INUTILIZÁVEL" e elimine-a de acordo com as recomendações (consulte a "Secção 5.4 - Eliminação").

**6.3 ARMAZENAMENTO:** Guarde as Rebel SRL num ambiente fresco, seco e limpo, afastadas da luz solar direta. Evite áreas onde possam existir vapores químicos. Inspeccione minuciosamente a SRL após qualquer armazenamento prolongado.

## 7.0 ESPECIFICAÇÕES

**7.1 DESEMPENHO:** A sua Rebel SRL foi testada e certificada conforme os requisitos de desempenho das normas identificadas na capa deste manual de instruções. Consulte a "Secção 2.0 - Limitações e requisitos" para especificações de desempenho.

**7.2 MATERIAIS:** As especificações dos materiais para a Rebel SRL são as seguintes:

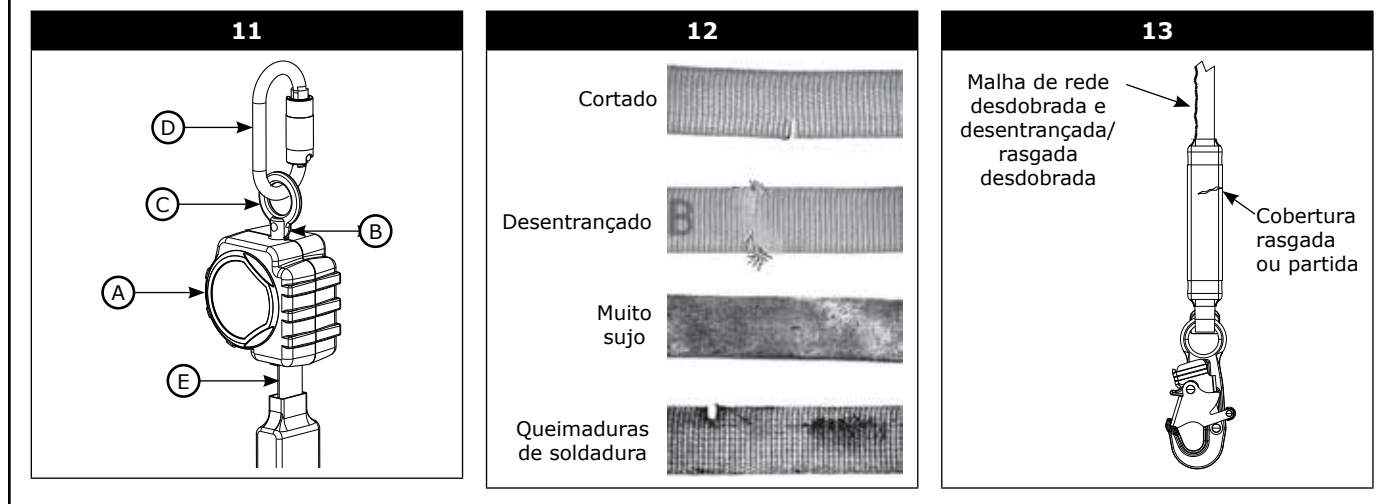
<b>Invólucro:</b>	Nylon, resistente aos raios UV	<b>Mola motorizada:</b>	Aço inoxidável	
<b>Tambor:</b>	Nylon, Tipo 6/6	<b>Elemento giratório:</b>	Aço galvanizado	
<b>Elementos de fixação:</b>	Parafusos em aço zincado; rebites em aço inoxidável	<b>Corda de segurança:</b>	Cordame em poliéster	
<b>Linguetas de bloqueio:</b>	Aço inoxidável	<b>Indicador de carga:</b>	Cobertura: Tubagem em PVC Cordame: Poliéster	
<b>Eixo principal:</b>	Aço inoxidável			
<b>Conectores finais:</b> (Consulte a Figura 1)	Abertura da lingueta		Resistência da lingueta	
	C	 Mosquetão de aço	3/4 pol. (19 mm)	3600 lbf (16 kN)
	D	 Ganchos de engate rápido em aço	3/4 pol. (19 mm)	225 lbf (1 kN)
	E	 Gancho para barra de reforço de aço	2 1/4 pol. (57 mm)	3600 lbf (16 kN)
F	 Ganchos de engate rápido em aço	3/4 pol. (19 mm)	3,600 lbf (16 kN)	

**7.3 ROTULAGEM:** A Figura 10 ilustra a rotulagem da Rebel SRL. Todas as etiquetas devem estar presentes e completamente legíveis.

<b>1</b>	Inspecionar visualmente a unidade. Ler as instruções.
<b>2</b>	Inspecionar a ação de travagem da SRL. Máximo de um utilizador.
<b>3</b>	Forma correta de ligar a SRL ao arnês.
<b>4</b>	Pode ser ligada a um ponto de ancoragem a um nível acima ou nivelado com a argola em D dorsal. Máximo de 140 kg (310 lb).
<b>5</b>	Amplitude de temperaturas para utilização -40 °C a +60 °C.
<b>6</b>	Capacidade máxima de 140 kg.
<b>7</b>	Permitir sempre que a corda de segurança recolha para dentro da SRL sob controlo.
<b>8</b>	Não efetuar reparações.
<b>9</b>	Guardar em espaços interiores.
<b>10</b>	Não colocar a SRL numa aresta durante a utilização.
<b>11</b>	Não retirar esta etiqueta.

**Tabela 2 – Lista de verificação de inspeção**

Componente:	Inspeção:	Aprovado	Reprovado
SRL (Figura 11)	Inspecione para detetar elementos de fixação soltos e peças dobradas ou danificadas.	<input type="checkbox"/>	<input type="checkbox"/>
	Verifique se existem distorções, fendas ou outros danos no invólucro (A).	<input type="checkbox"/>	<input type="checkbox"/>
	Inspecione a cabeça giratória (B), o olhal giratório (C) e o mosquetão (D) para verificar se existe distorção, quebras ou outros danos. A cabeça giratória deve ser fixa corretamente à SRL, mas deve girar livremente. O olhal giratório ou conector integral devem rodar livremente na cabeça giratória.	<input type="checkbox"/>	<input type="checkbox"/>
	A corda de segurança de tipo cordame (E) deverá poder esticar e encolher totalmente sem hesitações e sem criar folgas.	<input type="checkbox"/>	<input type="checkbox"/>
	Certifique-se de que a SRL trava quando a corda de segurança é puxada bruscamente. A travagem deve ser positiva e sem deslizamentos.	<input type="checkbox"/>	<input type="checkbox"/>
	Todas as etiquetas devem estar presentes e completamente legíveis (ver Figura 10).	<input type="checkbox"/>	<input type="checkbox"/>
	Procure sinais de corrosão em toda a SRL.	<input type="checkbox"/>	<input type="checkbox"/>
Corda de segurança do tipo cordame (Figura 12)	Inspecione a corda de segurança do tipo cordame quanto a sinais de desgaste concentrado, feixes desentrançados, fios partidos, queimaduras, cortes e abrasões. A corda de segurança deve estar livre de nós a todo o comprimento. Inspecione em termos de sujidade, acumulação excessiva de tinta e manchas de ferrugem. Certifique-se de que não há danos causados por produtos químicos ou pelo calor indicados por zonas castanhas, descoloradas ou desfiadas. Certifique-se de que não há danos causados por raios ultravioleta, indicados por descoloração e pela presença de borbotos ou fibras soltas na superfície da corda.	<input type="checkbox"/>	<input type="checkbox"/>
Indicador de carga (Figura 13)	Inspecione o indicador de carga para determinar se foi ativado. Não devem haver vestígios de alongamentos e a cobertura deve estar fixa e não ter rasgões ou outros danos.	<input type="checkbox"/>	<input type="checkbox"/>
Conectores finais (Figura 1)	A Figura 1 identifica os conectores das extremidades que podem ser incluídos no seu modelo Rebel SRL. Inspecione os ganchos de engate rápido, o mosquetão, os ganchos para barra de reforço, etc. para verificar se existem vestígios de danos, corrosão e o estado de funcionamento correto. Sempre que estiverem presentes: Os pivôs devem rodar sem obstrução e as linguetas dos mosquetões e dos ganchos devem abrir, fechar, trancar e destrancar corretamente.	<input type="checkbox"/>	<input type="checkbox"/>





**WARNING!** Denna produkt ingår i ett personligt fallstopps-, positionerings- eller räddningssystem. Användaren måste följa tillverkarens anvisningar för varje komponent i systemet. Dessa anvisningar måste överlämnas till den som ska använda denna utrustning. Användaren måste läsa och förstå dessa anvisningar innan utrustningen används. Tillverkarens anvisningar måste följas för korrekt användning och underhåll av denna utrustning. Ändringar på eller missbruk av denna produkt eller underlåtenhet att följa anvisningarna kan leda till allvarliga personskador eller dödsfall.

**VIKTIGT!** Om du har frågor om användning, skötsel eller lämplighet angående denna utrustning för din tillämpning, kontakta Capital Safety.

**VIKTIGT!** Anteckna informationen om produktidentifiering från ID-etiketten i besiktnings- och underhållsloggen innan denna utrustning används.

## HÄNVISNINGAR TILL ORDLISTA

Numrerade ordlistreferenser på framsidan av dessa instruktioner hänvisar till följande punkter:

- |                                    |   |
|------------------------------------|---|
| ① Bruksanvisning.                  | ④ Standarder.   |
| ② Rebel™ självindragande livlinor. | ⑤ Nummer för enheten som utförde CE-testet.   |
| ③ Modellnummer: (se figur 1).      | ⑥ Nummer för enheten som kontrollerar tillverkningen av denna personliga säkerhetsutrustning. |

## BESKRIVNINGAR:

Rebel SRL-enheter utgörs av 2,0 m långa självindragande livlinor, försedda med en integrerad lastindikator, som dras in i ett hölje i termoplast. Rebel SRL finns i flera modellutförande, som möjliggör infästning till en förankringspunkt och enkel eller dubbel montering på en helkroppssele eller liknande utrustning (se figur 1). Rebel SRL låser automatiskt vid ett fall för att stoppa fallet, men släpper ut och drar tillbaka livlinan när den anslutne användaren rör sig normalt.

Figur 2 visar huvudkomponenter i Rebel SRL-enheter:

<b>A</b>	Svivel	<b>B</b>	Svivelögla	<b>C</b>	Karbinkrok (tillval)	<b>D</b>	Hölje
<b>E</b>	Vävlivlina	<b>F</b>	Lastindikator	<b>G</b>	Automatkrok		

## 1.0 TILLÄMPNINGAR

- 1.1 SYFTE:** Capital Safetys självindragande livlinor (SRL) är konstruerade som en komponent i ett personligt fallskyddssystem (PFAS). Figur 1 visar SRL-enheter som omfattas av denna bruksanvisning och typiska användningsområden. De kan användas i merparten av de situationer där det krävs en kombination av arbetsrörlighet och fallskydd (dvs. inspektionsarbete, allmänt byggarbete, underhållsarbete, oljeproduktion, arbete i trånga utrymmen m.m.).
- 1.2 NORMER:** Din SRL överensstämmer med de nationella standarder som återges på framsidan av dessa instruktioner.
- 1.3 UTBILDNING:** Denna utrustning är avsedd att installeras och användas av personer som är utbildade i korrekt tillämpning och användning av den. Det är användarens ansvar att säkerställa att denne har satt sig in i dessa instruktioner, och har utbildats i korrekt skötsel och användning av denna utrustning. Användaren måste också vara medveten om funktionsegenskaper, tillämpningsbegränsningar och följderna av felaktig användning av denna utrustning.

## 2.0 BEGRÄNSNINGAR OCH KRAV

Ta alltid hänsyn till dessa begränsningar och krav när utrustningen installeras eller används.

- 2.1 KAPACITET:** Självindragande livlinor är utformade för att användas av personer med en totalvikt (person, kläder, verktyg m.m.) som inte överstiger 140 kg och som utgör minst 34 kg.  
Det får aldrig vara fler än en person ansluten till en enda självindragande livlina vid fallstoppställämningar.
- 2.2 MAXIMAL STOPPKRAFT OCH MAXIMALT STOPPAVSTÅND:** De SRL-enheter som beskrivs i denna bruksanvisning klarar följande maximivärden för stoppkraft:

<b>Arbetarens vikt</b>	<b>Upp till 140 kg</b>
<b>Genomsnittlig stoppkraft</b>	4,0 kN
<b>Maximal stoppkraft</b>	6,0 kN

- 2.3 FÖRANKRING:** Den konstruktion till vilken SRL ansluts måste klara en belastning på upp till 12 kN. Förankringsanordningar ska överensstämma med EN795.

**WARNING!** Förankringspunkten måste sitta på samma höjd som eller ovanför kanter där ett fall kan inträffa. Underlåtenhet att ta hänsyn till denna varning kan leda till allvarliga personskador eller dödsfall.

- 2.4 RÄDDNINGSPLAN:** När denna utrustning används ska arbetsgivaren ha en räddningsplan och resurser för att implementera den, samt delge planen för användare, auktoriserade personer och räddningspersonal.
- 2.5 INSPEKTIONSFREKVENNS:** SRL-enheterna ska inspekteras av behörig person<sup>1</sup> eller räddningspersonal<sup>2</sup> före varje användningstillfälle. Dessutom ska inspektioner utföras av en kompetent person<sup>3</sup> annan än användaren och av ett av fabriken godkänt inspektionsorgan. Denna kompetenta person ska använda inspektionsplanen (tabell 1), för att fastställa lämpliga inspektionsintervall. Besiktningens procedurer beskrivs i "Inspektionschecklista" (tabell 2). Resultat från inspektionen som utförs av kompetent person ska registreras i "Inspektions- och underhållsloggen" längst bak i dessa instruktioner.

**Tabell 1 – Inspektionsplan**

Typ av användning	Exempel på tillämpning	Användningsvillkor	Besiktningensintervall		
			Kompetent person	Godkänd av fabrik	Användare
Sällan utsatt för ljus	Räddning och trånga utrymmen, fabriksunderhåll	Goda förvaringsförhållanden, användning inomhus eller sällan utomhus, rumstemperatur, rena omgivningar	Årligen	Minst en gång per 2-5 år men inte längre än de intervall tillverkaren kräver	Före varje användning
Måttligt till tungt	Transport, husbyggnad, underhåll, lager	Medelgoda förvaringsförhållanden, användning inomhus och långa tillfällen utomhus, alla temperaturer, rena eller dammiga omgivningar	Halvårsvis eller årligen	Minst en gång per 1-2 år men inte längre än de intervall som tillverkaren kräver	Före varje användning
Svårt till kontinuerligt	Kommersiell byggnation, olja och gas, gruvdrift	Svåra förvaringsförhållanden, längre eller kontinuerlig användning utomhus, alla temperaturer, smutsiga omgivningar	Kvartalsvis till halvårsvis	Minst en gång per år men inte längre än de intervall som tillverkaren kräver	Före varje användning

- 2.6 LÅSNINGSHASTIGHET:** Situationer som inte medger en obehindrad fallväg bör undvikas. Arbete i begränsade eller trånga utrymmen betyder eventuellt att kroppen inte når tillräckligt hög hastighet för att SRL-enheten ska låsa vid ett fall. Arbete på långsamt glidande material, t.ex. sand eller spannmål, medger eventuellt inte tillräcklig hastighetsökning för att SRL-enheten ska låsa. En fri väg är nödvändig för att säkerställa säker låsning av SRL-enheten.
- 2.7 NORMAL ANVÄNDNING:** Normal användning medger att hela livlinans längd kan släppas ut och dras in utan stopp vid utdragning och utan spelrum vid indragning, eftersom arbetaren rör sig med normal hastighet. Skulle ett fall inträffa kommer ett hastighetsavkännande bromssystem att aktiveras, stoppa fallet och ta upp mycket av den energi som skapas. Vid fall som inträffar när livlinan nästan är helt utdragen begränsar ett reservsystem eller en lastindikator kraften vid ett fall. Om SRL-enheten har utsatts för fallkrafter eller besiktningen avslöjar osäkra eller defekta tillstånd, ska den tas ur drift, märkas med "OANVÄNDBAR" och avyttras på rekommenderat sätt (se "Avsnitt 5.4 - Avyttring"). Plötsliga eller snabba rörelser bör undvikas under normala arbetsförhållanden då dessa kan orsaka att SRL-enheten låser sig.
- 2.8 FRITT FALL:** Vid förankring ovanför huvudhöjd begränsar SRL-enheten avståndet för fritt fall till 61 cm eller mindre. Förankra SRL-enheten direkt ovanför arbetaren för att undvika ökade falllängder. Undvik arbete där din lina kan korsas eller tvinna sig med en annan arbetares lina. Undvik att arbeta där ett föremål kan falla och träffa livlinan; du kan tappa balansen och livlinan kan skadas. Låt inte livlinan gå under armar eller mellan ben. Kläm, knyt eller förhindra inte på något annat sätt att livlinan kan dras in eller spännas. Undvik slak lina. **Förläng inte SRL-enheten genom att ansluta en säkringslina eller en liknande komponent utan att först rådfråga Capital Safety.**
- 2.9 FALLMARGINAL:** Figur 3A visar erforderlig fallmarginal i meter mellan arbetsnivå och närmaste hinder för en användare med en totalvikt om upp till 140 kg. X = marginal mellan arbetsnivå och närmaste hinder. Säkerställ att det finns tillräcklig marginal i fallvägen för att förhindra att personen slår emot ett föremål under ett fall. Koppla inte under selens bakre D-ring. Om arbetaren ska arbeta i en position som inte befinner sig direkt under SRL-enhetens förankringspunkt, blir den erforderliga marginalen och den vertikala falllängden större.
- 2.10 PENDELFALL:** Pendelfall inträffar när förankringspunkten inte är direkt ovanför den punkt där ett fall inträffar (se figur 3B). Kraften med vilken ett föremål träffas under ett pendelfall kan orsaka allvarlig personskada. Under ett pendelfall blir det totala vertikala fallavståndet större än om användaren hade fallit rakt ner från förankringspunkten, vilket därmed ökar fallmarginalen som erfordras för att stoppa användaren säkert. Använd figur 3A för att fastställa fallmarginalen för din tillämpning. X = marginal mellan arbetsnivå och närmaste hinder. Minimera risken för pendelfall genom att arbeta med förankringspunkten så rakt ovanför dig som möjligt. Tillåt aldrig ett pendelfall om det kan orsaka personskada.

**1 Behörig person:** En person som utsetts av arbetsgivaren för att utföra arbete på platser där personen kommer att utsättas för fallrisk.

**2 Räddningspersonal:** Person eller personer utom den nödställda som agerar för att utföra en assisterad räddning med hjälp av ett räddningssystem.

**3 Kompetent person:** En person som utsetts av arbetsgivaren att ansvara för tillsyn, implementering och övervakning av arbetsgivarens fallskyddsprogram och som, genom utbildning och kunskap, kan identifiera, utvärdera och hantera befintliga och potentiella fallrisker, och som av arbetsgivaren getts befogenhet att omedelbart vidta korrigerande åtgärder med avseende på sådana risker.



- 2.11 RISKER:** Användning av denna utrustning i riskfyllda områden kan kräva ytterligare försiktighetsåtgärder, för att minska risken för att användaren eller utrustningen skadas. Faror kan inkludera, men är inte begränsade till: hög värme, frätande kemikalier, korrosiva miljöer, kraftledning för högspänning, explosiva eller giftiga gaser, rörliga maskiner, vassa kanter eller material på högre höjd som kan falla ned och träffa användaren eller fallskyddssystemet.
- 2.12 VASSA KANTER:** Undvik att arbeta där livlinan kommer att vara i kontakt med, eller kan skavas mot, oskyddade vassa kanter. Täck kanten med skyddsmaterial om kontakt med vassa kanter inte kan undvikas.
- 2.13 STÖDUTRUSTNING:** En helkroppssele måste användas tillsammans med SRL-enheten. Selens anslutningspunkt måste sitta ovanför användarens tyngdpunkt. Det är ej godkänt att använda ett kroppsbalte med SRL-enheten. Om ett fall inträffar när ett kroppsbalte används kan det orsaka oavsiktlig losskoppling och risk för kvävning på grund av otillräckligt kroppsstöd.
- 2.14 KOMPATIBILITET FÖR KOMPONENTER:** Om inget annat anges är Capital Safety-utrustning endast utformad för komponenter och undersystem som är godkända av Capital Safety. Byte mot icke godkända komponenter eller undersystem kan äventyra utrustningens kompatibilitet och även påverka hela systemets säkerhet och tillförlitlighet.

**VIKTIGT! LÄS OCH FÖLJ TILLVERKARENS INSTRUKTIONER FÖR TILLHÖRANDE KOMPONENTER OCH UNDERSYSTEM FÖR DITT FALLSTOPPSSYSTEM.**

- 2.15 KOMPATIBILITET FÖR KOPPLINGAR:** Anslutningar anses vara kompatibla med anslutningselement när de är avsedda att fungera tillsammans på ett sådant sätt att deras storlekar och former inte orsakar att deras öppningsmekanismer öppnar sig av misstag, oavsett hur de än vrids och vänds. Kontakta Capital Safety om du har några frågor angående kompatibilitet.

Kopplingar som används för att hänga upp SRL-enheten ska överensstämma med EN362. Anslutningar måste vara kompatibla med förankringen eller andra systemkomponenter. Använd inte utrustning som inte är kompatibel. Icke-kompatibla kopplingar kan lossna av misstag (se figur 4). Anslutningar måste vara kompatibla i storlek, form och styrka. Självslåsande automatkrokar och karbinkrokar krävs. Om det anslutningselement som en automatkrok eller karbinkrok sätts fast vid är för litet eller oregelbundet utformat, kan det uppstå en situation i vilken anslutningselementet tillför kraft på automatkrokens eller karbinkrokens (A) öppningsmekanism. Denna kraft kan orsaka att öppningsmekanismen öppnas (B), vilket medför att automatkroken eller karbinkroken kan lossna från anslutningspunkten (C).

- 2.16 GÖRA ANSLUTNINGAR:** Automatkrokar och karbinkrokar som används med denna utrustning ska vara självslåsande. Kontrollera att alla anslutningar är kompatibla i storlek, form och styrka. Använd inte utrustning som inte är kompatibel. Kontrollera att alla anslutningar är helt stängda och låsta.

Capital Safety-kopplingar (automatkrokar och karbinkrokar) är endast avsedda att användas enligt specifikationerna i respektive produkts bruksanvisning. Figur 5 innehåller exempel på olämpliga anslutningar. Anslut inte automatkrokar och karbinkrokar:

- A. Till en D-ring som har en annan koppling ansluten.
- B. På ett sätt som skulle orsaka en belastning på öppningsmekanismen.
- C. I en falsk fastkoppling, där delar som sticker ut på automatkroken eller karbinkroken fastnar i förankringen, och utan visuell bekräftelse tycks vara helt fastkopplade i förankringspunkten.
- D. Till varandra.
- E. Direkt till vävband, säkringsrep eller omtagslinor (såvida inte tillverkarens instruktioner för både kopplingslinan och anslutningen specifikt tillåter sådan anslutning).
- F. Till ett föremål som är utformat eller har sådan storlek att automatkroken eller karbinkroken inte stängs, eller om det finns risk för utrullning.
- G. På ett sätt som inte tillåter kopplingen att sitta rakt under lasten.

### 3.0 INSTALLATION

**3.1 PLANERING:** Planera ditt fallskyddssystem innan arbetet påbörjas. Ta med alla faktorer som kan påverka din säkerhet före, under och efter ett fall i beräkningen. Ta hänsyn till alla krav och begränsningar som är angivna i avsnitt 2.

**VIKTIGT! VID DE FLESTA TILLÄMPNINGARNA KAN REBEL SRL ANSLUTAS TILL FÖRANKRINGEN ELLER SELENS BAKRE D-RING. BÅDA ANSLUTNINGARNA ÄR TILLÅTNA.**

### 3.2 FÖRANKRING:

Figur 6 visar typiska SRL-förankringskopplingar:

<b>A</b>	Förankring	<b>B</b>	Koppling	<b>C</b>	Återkopplingsenhet
----------	------------	----------	----------	----------	--------------------

Välj en förankringsplats med minimala risker för fritt fall och pendelfall (se avsnitt 2). Välj en stadig förankringspunkt som kan klara de statiska belastningarna enligt avsnitt 2.3. Rebel SRL-enheter måste alltid förankras ovanför användarens bakre D-ring.

**VIKTIGT! VI REKOMMENDERAR ATT DENNA UTRUSTNING INSTALLERAS UNDER ÖVERVAKNING AV EN KOMPETENT PERSON.**

### 3.3 MONTERINGSALTERNATIV FÖR SELE:

**Montering av enkel SRL-helkroppssele:** Rebel SRL kan anslutas till selens bakre D-ring med en karbinkrok eller automatkrok. (Se figur 8, anslutningsexempel 1 och 2). I vissa Rebel-modeller ingår en karbinkrok. Alla innefattar en automatkrok.

Anslut svivelöglan (Rebel-komponenter finns identifierade i figur 2) till selens D-ring med hjälp av karbinkroken, som ingår på vissa Rebel-modeller (eller använd en koppling med lämpliga märkdata), eller använd den befintliga automatkroken för anslutning till D-ringen. Andra änden av Rebel måste anslutas till en förankringspunkt (se avsnitt 2.3) med den befintliga karbinkroken (eller en koppling med lämpliga märkdata) eller den befintliga automatkroken.

**Montering i sele av dubbla SRL med hjälp av karbinkrok:** På vissa Rebel SRL-modeller ingår en karbinkrok (identifierad i figur 2), som kan ansluta två Rebel SRL-enheter till en helkroppssele när klättringsarbeten kräver 100 % avbindning. Karbinkroken fäster två Rebel SRL-enheter sida vid sida alldeles under selens bakre D-ring. (Se figur 8, anslutningsexempel 3)

För att montera två Rebel SRL-enheter på en helkroppssele med karbinkroken: (Se figur 7. A - vävstroppar; B - bakre D-ring; C - svivelögla, SRL)

**Steg 1: Lossa selens vävband:** Dra ut vävstropparna (A) där de går igenom den undre delen av den bakre D-ringen (B) tills det finns tillräckligt med plats för att skjuta in karbinkroken mellan vävstropparna och D-ringsplattan.

**Steg 2: Öppna den trippelverkande karbinkroken:** Lyft karbinhaken (1) uppåt och vrid den 45 grader (2), så att öppningen i haken kommer i linje med karbinramen. Tryck haken (3) inåt för att öppna karbinkroken.

**Steg 3: Montera den första Rebel SRL på karbinkroken:** För in karbinkroken genom svivelöglan (C) på SRL:

**Steg 4: För in karbinkroken genom vävstropparna:** Med karbinhaken i öppet läge förs karbinkroken in bakom vävstropparna. Roter karbinkroken bakom vävstropparna tills den omger stropparna och den första Rebel SRL sitter på plats på höger sida av karbinkroken.

**Steg 5: Montera den andra Rebel SRL på karbinkroken:** För in karbinkroken genom svivelöglan på den andra SRL. Placera in den andra SRL på vänstra sidan om karbinkroken.

**Steg 6: Låt karbinhaken stänga och låsa.**

**Kontrollera monteringen av de båda SRL-enheterna:** När monteringen är korrekt, ska karbinkroken passera genom vävstropparna (A) och SRL-svivelöglorna vara fästa på var sida om karbinhaken. Dra tillbaka vävstropparna (A) genom den bakre D-ringen och D-ringsplattan för att eliminera spelrummet i vävbanden och fixera karbinkroken mellan vävstropparna och D-ringsplattan.

## 4.0 ANVÄNDNING

**VARNING!** Ändra eller missbruka inte denna utrustning avsiktligt. Rådfråga Capital Safety när du vill använda denna utrustning i kombination med andra komponenter eller undersystem än de som beskrivs i denna bruksanvisning. Vissa kombinationer av undersystem och komponenter kan störa utrustningens funktionsduglighet. Var försiktig när denna utrustning används i samband med rörliga maskiner, elektriska risker, kemiska risker, vassa kanter eller högt placerade material som kan falla på livlinan. Vira inte livlinan runt små strukturella bjälkar. Underlåtenhet att ta hänsyn till denna varning kan leda till allvarliga personskador eller dödsfall.

**VARNING!** Rådfråga din läkare om det finns anledning att tvivla på att du är tillräckligt stark för att ta emot stöten vid ett fallstopp utan fara. Ålder och kondition kan allvarligt påverka en arbetares förmåga att klara fall. Gravida kvinnor och minderåriga får ej använda självindragande livlinor.

- 4.1 FÖRE VARJE ANVÄNDNINGSTILLFÄLLE:** Före varje användning av denna fallskyddsutrustning måste den kontrolleras noggrant för att säkerställa att den är i gott funktionsdugligt skick. Kontrollera om det finns utslitna eller skadade delar. Säkerställ att alla fästdon sitter på plats och är åtdragna. Kontrollera att livlinan dras in korrekt genom att dra ut linan och sakta låta den dras in. Om det finns någon tvekan under indragningen, ska SRL-enheten tas ur bruk, märkas med "OANVÄNDBAR" och avyttras på rekommenderat sätt (se "Avsnitt 5.4 - Avyttring"). Kontrollera livlinan avseende skärskador, fransar, brännskador, krosskador och korrosion. Kontrollera låsfunktionen genom att dra hårt i linan. Se avsnitt 5 för detaljer om besiktning.
- 4.2 EFTER ETT FALL:** All utrustning som har utsatts för krafter från fallstopp, eller som uppvisar skador likvärdiga med inverkan från fallstoppskrafter enligt beskrivningen i avsnitt 5, ska omedelbart tas ur bruk, märkas med "OANVÄNDBAR" och avyttras på rekommenderat sätt (se "Avsnitt 5.4 - Avyttring").
- 4.3 STÖDUTRUSTNING:** En helkroppssele måste bäras när Rebel SRL-enheter används. För allmänt fallskydd ska livlinan anslutas till den bakre (rygg-) D-ringen. Vid situationer som t.ex. klättring på stegar kan det vara lämpligt att ansluta livlinan på framsidan av selen över arbetarens tyngdpunkt. Detta är godkänt under förutsättning att det potentiella fria fallet är kortare än 61 cm och att det är lätt att hitta fotfästet igen.

**VIKTIGT!** Ett kroppsbalte får ej användas för tillämpningar med fria fall. Se OSHA 1926.502 för riktlinjer.

- 4.4 UTFÖRA ANSLUTNINGAR:** Figur 8 visar anslutningar i selen och förankringar för RebelSRL fallstoppssystem. När en krok används för att göra en anslutning måste det säkerställas att utrullning inte kan inträffa (se figur 4). Använd inte krokar eller kopplingar som inte försluts helt över anslutningsobjektet. Använd inte icke-låsande automatkrokar. Förankringen måste uppfylla kraven på förankringsstyrka som anges i avsnitt 2.3. Följ tillverkarens anvisningar som levereras med varje systemkomponent.
- 4.5 HANDHAVANDE:** Kontrollera SRL-enheten så som beskrivs i avsnitt 5.0 före användning. Figur 8 visar systemanslutningar för typiska tillämpningar för RebelSRL. Anslut Rebel SRL till en lämplig förankring eller montera SRL-enheten på baksidan av en helkroppssele enligt instruktionerna i avsnitt 3. I samband med SRL-enheter som är anslutna till en förankring ska kroken eller karbinkroken på lastindikatorn fästas i den bakre D-ringen på helkroppsselen. På selmonterade SRL-enheter ansluts kroken eller karbinkroken i en lämplig förankring. Kontrollera att anslutningarna är kompatibla avseende storlek, form och styrka. Kontrollera att krokarna är helt stängda och låsta. När arbetaren är fastsatt är denne fri att röra sig inom det rekommenderade arbetsområdet med normal hastighet. Om ett fall inträffar låses SRL-enheten och stoppar fallet. Ta SRL-enheten ur bruk efter räddning. Vid arbete med en SRL ska livlinan alltid tillåtas att rulla tillbaka in i enheten på ett kontrollerat sätt.

**VARNING!** Bind eller knyt inte livlinan. Undvik kontakt mellan livlinan och vassa, skavande ytor. Kontrollera livlinan ofta avseende brott, fransar, brännskador eller tecken på kemisk skada. Smuts, föroreningar och vatten kan reducera livlinans dielektriska egenskaper. Iaktta försiktighet nära elledningar.

- 4.6 DUBBEL SRL-LÄNK MED 100 % AVBINDNING:** När två RebelSRL-enheter sitter monterade sida vid sida på baksidan av en helkroppssele, kan SRL-fallstoppssystemet användas som kontinuerligt fallskydd (100 % avbindning) under uppstigning, nedstigning eller rörelser i sidled. Med livlinebenet till en SRL anslutet till en förankringspunkt, kan arbetaren flytta sig till ett nytt läge, fästa det fria livlinebenet till den andra SRL-enheten till en annan förankringspunkt, och sedan koppla bort sig från den ursprungliga förankringspunkten. (se figur 9A) Detta upprepas tills arbetaren når önskad plats. Att tänka på vid tillämpningar med dubbel SRL med 100 % förankring:
- Anslut aldrig ORO SRL livlinor till samma förankringspunkter. (Se figur 9B)
  - Anslutning av varje SRL-ben till separata förankringspunkter är acceptabelt. (se figur 9C)
  - Koppla aldrig mer än en person åt gången till det dubbla SRL-systemet. (se figur 9D)
  - Låt inte livlinorna bli trassliga eller sno in sig i varandra, eftersom det kan hindra dem från att rulla upp sig.
  - Låt inga livlinor löpa under armar eller mellan ben under användning.

**4.7 HORIZONTELLA SYSTEM:** I applikationer där RebelSRL används tillsammans med ett horisontellt system (dvs. horisontell livlina, rullvagn för horisontella I-bjälkar), så måste SRL-enheten och komponenterna i det horisontella systemet vara kompatibla. Vågräta system måste utformas och installeras under övervakning av en kvalificerad ingenjör. Se instruktionerna från tillverkaren av den vågräta utrustningen för detaljer.

## 5.0 INSPEKTION

**5.1 INSPEKTIONSINTERVALL:** RebelSRL ska besiktigas vid de intervall som är angivna i "Avsnitt 2.5 - Inspektionsintervall". Besiktningsprocedurerna beskrivs i "Inspektionschecklista" (tabell 2).

**5.2 OSÄKRA ELLER FELAKTIGA FÖRHÅLLANDEN:** Om inspektion påvisar osäkra eller defekta tillstånd, ska SRL tas ur drift, märkas med "OANVÄNDBAR" och avyttras på rekommenderat sätt (se "Avsnitt 5.4 - Avyttring").

**5.3 PRODUKTENS LIVSLÄNGD:** Livslängden för Rebel SRL-enheter beror på arbetsförhållanden och underhåll. Så länge som SRL-enheten uppfyller besiktningskraven får den fortsätta användas.

**5.4 AVYTTRING:** Avyttra RebelSRL om den har utsatts för fallkrafter eller om en kontroll visar ett osäkert eller defekt tillstånd. Före avyttring av SRL, skär av lastindikatorn från vävlivlinan eller ta SRL-enheten ur bruk på annat sätt, så att möjligheten till felaktig återanvändning elimineras.

## 6.0 UNDERHÅLL, SERVICE OCH FÖRVARING

**6.1 RENGÖRING:** Följande rengöringsåtgärder gäller för Rebel SRL:

- Rengör regelbundet SRL-enhetens utsida med vatten och en mild tvållösning. Placera SRL-enheten så att överskottsvatten kan rinna ut. Rengör etiketter enligt behov.
- Rengör vävlivlinan med vatten och mild tvållösning. Skölj och låt lufttorka grundligt. Snabbtorka inte med hjälp av värme. Livlinan ska torka innan den dras in i kåpan. Överdriven ansamling av smuts, färg m.m. kan förhindra att livlinan dras tillbaka helt in i enheten och därmed orsaka en potentiell risk för fritt fall.

**VIKTIGT!** Om livlinan kommer i kontakt med syror eller andra frätande kemikalier ska SRL tas ur bruk och tvättas med en mild tvållösning och vatten. Besiktiga SRL enligt tabell 2 innan den åter tas i bruk.

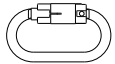
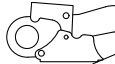
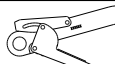

**6.2 SERVICE:** Rebel SRL-enheter kan inte repareras. Om SRL-enheten har utsatts för fallkrafter eller besiktningen avslöjar osäkra eller defekta tillstånd, ska den tas ur drift, märkas med "OANVÄNDBAR" och avyttras på rekommenderat sätt (se "Avsnitt 5.4 - Avyttring").

**6.3 FÖRVARING:** Förvara Rebel SRL-enheter på sval, torr och ren plats utan direkt solljus. Undvik platser där det kan finnas kemiska ångor. Inspektera SRL-enheten noggrant efter längre förvaringsperioder.

## 7.0 SPECIFIKATIONER

**7.1 PRESTANDA:** Din RebelSRL har testats och certifierats för prestandakraven i den norm/de normer som anges på omslaget till denna bruksanvisning. Se "Avsnitt 2.0 - Begränsningar och krav" för prestandaspecifikationer.

**7.2 MATERIAL:** Materialspecifikationer för RebelSRL är som följer:

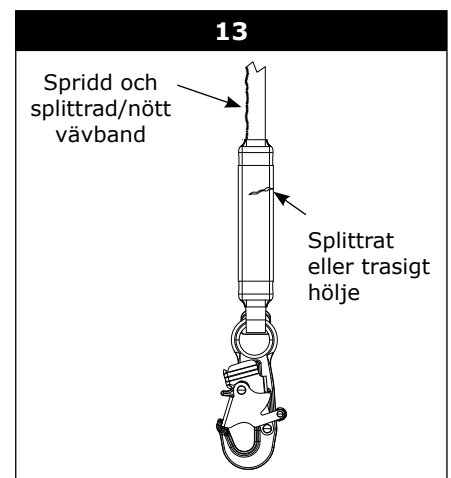
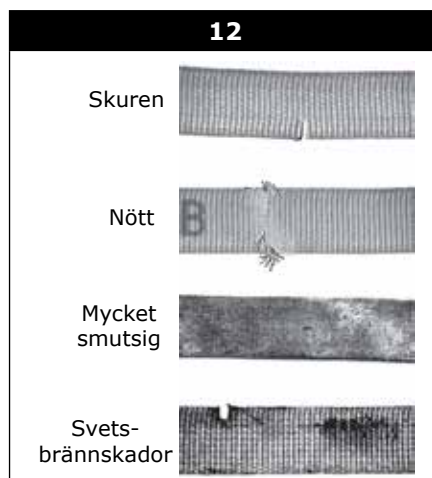
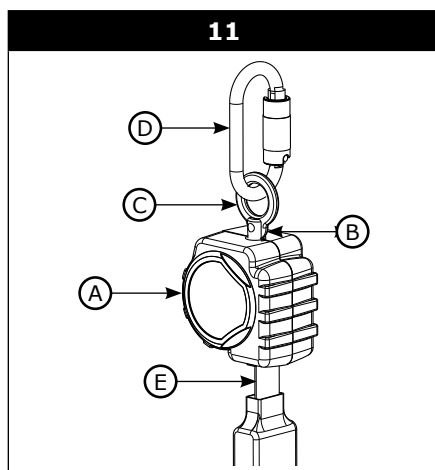
<b>Hölje:</b>	Nylon, UV-härdig	<b>Motorfjäder:</b>	Rostfritt stål		
<b>Trumma:</b>	Nylon, typ 6/6	<b>Svivel:</b>	Zinkpläterat stål		
<b>Fästen:</b>	Zinkpläterade stålskruvar; nitar av rostfritt stål	<b>Livlina:</b>	Polyesterväv		
<b>Spärrhakar:</b>	Rostfritt stål	<b>Lastindikator</b>	Hölje: PVC-rör Väv: Polyester		
<b>Huvudaxel:</b>	Rostfritt stål				
<b>Ändkopplingar:</b> (Se figur 1)	Öppningsmekanism    Öppningsstyrka				
	C		Karbinkrok i stål	19 mm	16 kN
	D		Automat krok i stål	19 mm	1 kN
	E		Stålbalk krok	57 mm	16 kN
	F		Automat krok i stål	19 mm	16 kN

**7.3 ETIKETTER:** Figur 10 visar etiketterna på Rebel SRL. Alla etiketter måste sitta på plats och vara fullt läsliga.

<b>1</b>	Se över enheten visuellt. Läs alla instruktioner.
<b>2</b>	Inspektera SRL-enhetens låsningsfunktion. Endast en användare.
<b>3</b>	Korrekt anslutning av SRL till sele.
<b>4</b>	Kan anslutas till en förankringspunkt över eller i nivå med den bakre D-ringen. Max 140 kg.
<b>5</b>	Temperaturintervall vid användning -40 °C till +60 °C.
<b>6</b>	Maximal kapacitet 140 kg.
<b>7</b>	Se till att livlinan alltid löper tillbaka in i SRL-enheten på ett kontrollerat sätt.
<b>8</b>	Reparera ej.
<b>9</b>	Förvaras inomhus.
<b>10</b>	Placera inte SRL-höljet över en kant under användning.
<b>11</b>	Ta inte bort etiketten.

**Tabell 2 – Checklista för inspektion**

Komponent:	Inspektion:	Godkänd	Underkänd
SRL (Figur 11)	Kontrollera med avseende på lösa fästen och böjda eller skadade delar.	<input type="checkbox"/>	<input type="checkbox"/>
	Kontrollera att skyddshöljet (A) inte är skevt, sprucket eller skadat på annat sätt.	<input type="checkbox"/>	<input type="checkbox"/>
	Kontrollera att sviveln (B) och svivelöglan (C) och karbinkroken (D) inte är skeva, spruckna eller skadade på annat sätt. Sviveln bör vara säkert fäst vid livlinan, men ska svänga fritt. Svivelöglan eller den integrerade kopplingen ska rotera fritt i sviveln.	<input type="checkbox"/>	<input type="checkbox"/>
	Livlinan (E) ska dras ut och dras in utan tvekan eller att skapa en slak lina.	<input type="checkbox"/>	<input type="checkbox"/>
	Säkerställ att SRL låser sig vid snabba ryck i livlinan. Låsningen ska ske direkt och utan slirande.	<input type="checkbox"/>	<input type="checkbox"/>
	Alla etiketter måste sitta på plats och vara fullt läsliga (se figur 10).	<input type="checkbox"/>	<input type="checkbox"/>
	Inspektera hela SRL avseende tecken på korrosion.	<input type="checkbox"/>	<input type="checkbox"/>
Vävlivlina (Figur 12)	Kontrollera vävlivlinan avseende koncentrerat slitage, fransiga trådar, brustet garn, brännskador, brott och avskavningar. Hela livlinan måste vara helt fri från knutar. Kontrollera avseende överdriven nedsmutsning och färgansamling och rostfläckar. Kontrollera avseende kemiska skador eller värmeskador, missfärgningar eller spröda områden. Kontrollera avseende ultravioletta skador som visas genom missfärgning och förekomsten av stickor och flisor på livlinans yta.	<input type="checkbox"/>	<input type="checkbox"/>
Lastindikator (Figur 13)	Kontrollera lastindikatorn för att fastställa om den har aktiverats. Det ska inte finnas något tecken på förlängning och kåpan ska vara säkrad och fri från revor eller andra skador.	<input type="checkbox"/>	<input type="checkbox"/>
Ändkopplingar (Figur 1)	Figur 1 visar de ändkopplingar som kan ingå på din RebelSRL-modell. Kontrollera alla automatkrokar, karbinkrokar, balkkrokar etc. avseende tecken på skador, rost och att de fungerar korrekt. I förekommande fall: Svivlarna ska rotera fritt och öppningsmekanismerna ska öppnas, stängas, låsas och låsas upp korrekt.	<input type="checkbox"/>	<input type="checkbox"/>





<p style="text-align: center;"><b>LIMITED LIFETIME WARRANTY</b></p> <p><b>Warranty to End User:</b> CAPITAL SAFETY warrants to the original end user ("End User") that its products are free from defects in materials and workmanship under normal use and service. This warranty extends for the lifetime of the product from the date the product is purchased by the End User, in new and unused condition, from a CAPITAL SAFETY authorised distributor. CAPITAL SAFETY'S entire liability to End User and End User's exclusive remedy under this warranty is limited to the repair or replacement in kind of any defective product within its lifetime (as CAPITAL SAFETY in its sole discretion determines and deems appropriate). No oral or written information or advice given by CAPITAL SAFETY, its distributors, directors, officers, agents or employees shall create any different or additional warranties or in any way increase the scope of this warranty. CAPITAL SAFETY will not accept liability for defects that are the result of product abuse, misuse, alteration or modification, or for defects that are due to a failure to install, maintain, or use the product in accordance with the manufacturer's instructions. THIS WARRANTY IS THE ONLY WARRANTY APPLICABLE TO OUR PRODUCTS AND IS IN LIEU OF ALL OTHER WARRANTIES AND LIABILITIES, EXPRESSED OR IMPLIED.</p>	<p style="text-align: center;"><b>Garantie limitée à vie</b></p> <p><b>Garantie de l'utilisateur final :</b> CAPITAL SAFETY garantit à l'utilisateur final d'origine (« Utilisateur final ») que ses produits sont exempts de défauts de matériaux et de fabrication dans des conditions d'utilisation et d'entretien normales. Cette garantie s'étend pendant toute la durée de vie du produit à compter de la date d'achat du produit par l'utilisateur final, comme produit neuf et inutilisé, auprès d'un distributeur agréé. L'entière responsabilité de CAPITAL SAFETY envers l'utilisateur final et le recours exclusif de l'utilisateur final dans le cadre de cette garantie se limite à la réparation ou au remplacement en nature de tout produit défectueux pendant sa durée de vie (si CAPITAL SAFETY, à sa seule discrétion, le juge nécessaire). Aucune information ni aucun conseil, qu'ils soient oraux ou écrits, donnés par CAPITAL SAFETY, ses distributeurs, directeurs, responsables, agents ou employés ne créera de garanties différentes ou supplémentaires ni n'augmentera l'étendue de cette garantie. CAPITAL SAFETY n'assurera en aucun cas la responsabilité de défauts résultant d'une utilisation abusive du produit, de sa mauvaise utilisation, de son altération ou de sa modification, ou de défauts découlant du non-respect des instructions du fabricant en matière d'installation, d'entretien ou de conditions d'utilisation. CETTE GARANTIE EST LA SEULE GARANTIE APPLICABLE À NOS PRODUITS ET ELLE REMPLACE TOUTES LES AUTRES GARANTIES ET RESPONSABILITÉS EXPRIMÉES OU IMPLICITES.</p>
<p style="text-align: center;"><b>Garanzia di durata limitata</b></p> <p><b>Garanzia dell'utente finale:</b> CAPITAL SAFETY garantisce all'utente finale originale (di seguito "Utente finale") che i suoi prodotti sono privi di difetti dei materiali e di fabbricazione se utilizzati nelle normali condizioni d'uso e di servizio. La garanzia copre l'intera durata del prodotto dalla data di acquisto del prodotto da parte dell'Utente finale come prodotto nuovo e mai usato da un distributore autorizzato CAPITAL SAFETY. La responsabilità complessiva di CAPITAL SAFETY nei confronti dell'Utente finale e il ricorso esclusivo dell'Utente finale ai sensi della presente garanzia sono limitati alla riparazione o alla sostituzione in natura dei prodotti difettati entro la durata (così come stabilita a propria esclusiva discrezione da CAPITAL SAFETY). Eventuali informazioni orali o scritte o consigli forniti da CAPITAL SAFETY, dai suoi distributori, direttori, funzionari, agenti o dipendenti non potranno in alcun modo dare origine a garanzie diverse o aggiuntive né potranno ampliare l'ambito della presente garanzia. CAPITAL SAFETY non potrà essere ritenuta responsabile dei difetti derivati da un cattivo o errato utilizzo del prodotto, da alterazioni o modifiche o da difetti dovuti ai mancanti installazione, manutenzione o uso del prodotto in conformità alle istruzioni del produttore. LA PRESENTE GARANZIA È L'UNICA GARANZIA APPLICABILE AI NOSTRI PRODOTTI E SOSTITUISCE QUALSIASI ALTRA GARANZIA E RESPONSABILITÀ, ESPRESSE O IMPLICITE.</p>	<p style="text-align: center;"><b>Lebenslange Garantie mit Einschränkung</b></p> <p><b>Endbenutzer-Garantie:</b> CAPITAL SAFETY garantiert dem ursprünglichen Endbenutzer („Endbenutzer“), dass seine Produkte unter normalem Gebrauch und Betrieb frei von Material- und Herstellungsfehlern sind. Diese Garantie erstreckt sich auf die Lebensdauer des Produkts ab dem Datum, an dem der Endbenutzer das Produkt neu und ungebraucht von einem durch CAPITAL SAFETY autorisierten Händler gekauft hat. Die gesamte Haftung von CAPITAL SAFETY dem Endbenutzer gegenüber und der einzige Anspruch des Endbenutzers ist gemäß dieser Garantie beschränkt auf die Reparatur oder den Ersatz von defekten Produkten innerhalb ihrer Lebensdauer (eine Einschätzung diesbezüglich wird von CAPITAL SAFETY nach eigenem Ermessen durchgeführt). Keine von CAPITAL SAFETY schriftlich oder mündlich an Händler, Vorstandsmitglieder, Führungskräfte, Agenten oder Angestellte übergebenen Informationen oder Hinweise ergeben jegliche andere oder zusätzliche Gewährleistungen, noch erhöhen sie den Umfang dieser Garantie. CAPITAL SAFETY schließt eine Haftung für Defekte aufgrund von unsachgemäßem Gebrauch, Änderungen oder Modifikationen am Produkt sowie für Defekte, die darauf zurückzuführen sind, dass das Produkt nicht gemäß der Anweisungen des Herstellers montiert, gewartet und verwendet wurde, aus. DIESE GARANTIE IST DIE EINZIG GÜLTIGE GARANTIE FÜR UNSERE PRODUKTE UND GILT ANSTELLE VON ALLEN ANDEREN GARANTIEEN UND HAFTUNGSBEDINGUNGEN, SEI ES AUSDRÜCKLICH ODER STILLSCHWEIGEND.</p>
<p style="text-align: center;"><b>Garantía limitada de por vida</b></p> <p><b>Garantía para el Usuario final:</b> CAPITAL SAFETY garantiza al usuario final original ("Usuario final") que sus productos están libres de defectos en materiales y mano de obra bajo condiciones normales de uso y servicio. Esta garantía abarca toda la vida útil del producto, desde la fecha de compra del producto por parte del Usuario final, en estado nuevo y sin uso, a un distribuidor autorizado de CAPITAL SAFETY. Toda la responsabilidad de CAPITAL SAFETY para con el Usuario final y el recurso exclusivo del Usuario final en virtud de esta garantía, se limita a la reparación o sustitución en especie de cualquier producto defectuoso dentro de su vida útil (como CAPITAL SAFETY lo determine y estime conveniente a su sola discreción). Ninguna información oral o escrita, o información dada por CAPITAL SAFETY, sus distribuidores, directores, técnicos, agentes o empleados, creará ninguna garantía distinta o adicional, ni de alguna manera ampliará el alcance de esta garantía. CAPITAL SAFETY no acepta responsabilidad por defectos que sean resultado del abuso, mal uso, alteración o modificación del producto, ni por los defectos que se deban a una instalación, mantenimiento o utilización que no esté de acuerdo con las instrucciones del fabricante. ESTA GARANTÍA ES LA ÚNICA GARANTÍA APLICABLE A NUESTROS PRODUCTOS Y SUSTITUYE A CUALQUIER OTRA GARANTÍA O RESPONSABILIDAD, EXPRESA O IMPLÍCITA.</p>	<p style="text-align: center;"><b>Garantia vitalícia limitada</b></p> <p><b>Garantia de utilizador final:</b> a CAPITAL SAFETY garante ao utilizador final original ("Utilizador Final") que os seus produtos estão isentos de defeitos de materiais e de fabrico ao abrigo de uma utilização e serviço normal. Esta garantia prolonga-se pela duração da vida útil do produto desde a data de aquisição do produto pelo Utilizador Final, em condição nova e não usada, junto de um distribuidor autorizado da CAPITAL SAFETY. A responsabilidade integral da CAPITAL SAFETY perante o Utilizador Final e o recurso exclusivo do Utilizador Final ao abrigo desta garantia está limitado à reparação ou substituição de qualquer produto defeituoso no decorrer da sua vida útil (consoante apropriado e determinado exclusivamente segundo o critério exclusivo da CAPITAL SAFETY). Nenhuma informação escrita ou oral ou conselho fornecido pela CAPITAL SAFETY, seus distribuidores, directores, representantes, agentes ou funcionários irá criar garantias diferentes ou adicionais ou de qualquer forma aumentará o âmbito desta garantia. A CAPITAL SAFETY não aceitará responsabilidade por defeitos resultantes de abuso, utilização incorrecta, alteração ou modificação, ou por defeitos do produto que resultem de um incumprimento de instalação, manutenção ou utilização do produto de acordo com as instruções do fabricante. ESTA GARANTIA É A ÚNICA GARANTIA APLICÁVEL AOS NOSSOS PRODUTOS E EXISTE EM DETRIMENTO DE QUAISQUER OUTRAS GARANTIAS E RESPONSABILIDADES, EXPRESSAS OU IMPLÍCITAS.</p>
<p style="text-align: center;"><b>Begränsad livstidsgaranti</b></p> <p><b>Garanti för slutanvändare:</b> CAPITAL SAFETY garanterar den ursprungliga slutanvändaren (slutanvändaren) att produkterna inte har några material- eller produktionsfel vid normal användning och service. Garantin omfattar produktens livslängd från det datum då produkten köps av slutanvändaren i nytt och oanvänt skick från en auktoriserad återförsäljare för CAPITAL SAFETY. CAPITAL SAFETY'S hela ansvarsskyldighet gentemot slutanvändaren och slutanvändarens enda gottgörelse inom ramen för denna garanti begränsas till reparation eller byte av trasiga produkter under deras livslängd (enligt vad CAPITAL SAFETY bestämmer och bedömer som lämpligt efter eget gottfinnande). Inga muntliga eller skriftliga uppgifter eller råd från CAPITAL SAFETY, dess återförsäljare, chefer, tjänstemän, företrädare eller anställda får upprätta några andra eller ytterligare garantier eller på något sätt ändra garantins omfattning. CAPITAL SAFETY tar inget ansvar för fel som uppstår på grund av felaktig användning, missbruk, ändring eller modifiering av produkten eller fel som uppstår på grund av att produkten inte har monterats, underhållits eller använts i enlighet med tillverkarens anvisningar. DENNA GARANTI ÄR DEN ENDA GARANTI SOM GÄLLER FÖR VÅRA PRODUKTER OCH DEN ERSÄTTER ALLA ANDRA GARANTIER OCH ANSVAR, BÅDE UTTRYCKLIGA OCH UNDERFÖRSTÅDDA.</p>	<p style="text-align: center;"><b>Rajoitettu käyttöön aikainen takuu</b></p> <p><b>Takuu loppukäyttäjälle:</b> CAPITAL SAFETY takaa alkuperäiselle loppukäyttäjälle ("loppukäyttäjää"), ettei sen tuotteissa esiinny materiaali- tai valmistusvirheitä normaaliissa käytössä ja normaalisti huollettuna. Tämä takuu kattaa tuotteen normaalin käyttöön siitä päivästä alkaen, kun loppukäyttäjää ostaa tuotteen uutena ja käyttämättömänä valtuutetulta CAPITAL SAFETY -jälleenmyyjältä. CAPITAL SAFETY:n ainoa korvausvelvollisuus loppukäyttäjää kohtaan ja loppukäyttäjän ainoa hyvyys tämän takuun puitteissa rajoittuvat viialleen tuotteen korjaukseen tai vastaavaan tuotteen vaihtoon tuotteen käyttöön aikana (CAPITAL SAFETY:n harkintansa mukaan määrittämällä ja sopivaksi katsomalla tavalla). Mitkään CAPITAL SAFETY:n, sen jälleenmyyjien, johtajien, toimihenkilöiden, edustajien tai työntekijöiden antamat suulliset tai kirjalliset tiedot tai ohjeet eivät muuta tämän takuun sisältöä evätkä millään laajenna sitä. CAPITAL SAFETY ei vastaa vioista, jotka johtuvat tuotteen väärinkäytöstä tai muuttamisesta, eikä vioista, jotka johtuvat tuotteen asennusta, kunnossapitoa ja käyttöä koskevien valmistajan ohjeiden laiminlyönnistä. TÄMÄ TAKUU ON AINOA TUOTTEISIIMME SOVELLETTAVA TAKUU, JA SE KORVAA KAIKKI MUUT NIMENOMAISET JA OLETETUT TAKUUT JA KORVAUSVELVOLLISUUDET.</p>
<p style="text-align: center;"><b>Begrenset levetidsgaranti</b></p> <p><b>Slutbrugergaranti:</b> CAPITAL SAFETY garanterer over for slutbruger ("Slutbruger"), at virksomhedens produkter er fri for defekter i materialer og udførelse, når de anvendes under normale forhold. Denne garanti gælder i produktets levetid fra den dato, Slutbruger køber produktet i ny og ubrugt stand fra en af CAPITAL SAFETY autoriseret distributør. CAPITAL SAFETY'S fulde ansvar over for Slutbruger samt Slutbrugers eksklusive retsmiddel begrænses sig i henhold til nærværende garanti til reparation eller erstatning af defekte produkter inden for deres levetid (udelukkende efter CAPITAL SAFETY'S skøn og vurdering). Ingen muntlige eller skriftlige oplysninger eller råd fra CAPITAL SAFETY, virksomhedens distributører, direktører, funktionærer, repræsentanter eller medarbejdere kan udgøre en anden eller yderligere garanti, eller på nogen måde udvide nærværende garanti. CAPITAL SAFETY påtager sig intet ansvar for defekter, der er forårsaget af misbrug, forkert brug, ændringer eller modifikationer af produktet, eller for defekter, der skyldes installation, vedligeholdelse eller brug af produktet, der er i modstrid med producentens anvisninger. DENNE GARANTI ER DEN ENESTE GARANTI, DER ER GÆLDENDE FOR VORES PRODUKTER, OG DEN TRÆDER I STEDET FOR ALLE ANDRE GARANTIER, UDTRYKKELIGE ELLER UNDERFØRSTÅEDE.</p>	<p style="text-align: center;"><b>Begrenset livstidsgaranti</b></p> <p><b>Garanti for slutbruger:</b> CAPITAL SAFETY garanterer den oprindelige slutbruger ("Slutbrukeren") at materialene og håndverket som gik med i tilvirkingen av produktene er uten defekter i sammenheng med vanlig bruk. Garantien gjelder for produktets livstid fra datoen Slutbrukeren kjøper produktet i ny og ubrukt stand fra en autorisert leverandør av CAPITAL SAFETY. CAPITAL SAFETY'S fulle og hele ansvar overfor Slutbrukeren og Slutbrukerens eneste rettighet under denne garantien er begrenset til reparasjon og erstatning i natura for alle defekte produkter innen sin livstid (som CAPITAL SAFETY anslår og anser som passende etter sitt eget forgodtfinnende). Verken muntlig eller skriftlig rådgivning fra CAPITAL SAFETY eller dets leverandører, styremedlemmer, ledere, agenter eller ansatte skal opprette ulike eller ytterligere garantier, eller på noen måte utvide omfanget til denne garantien. CAPITAL SAFETY tar ikke ansvar for defekter som er resultatet av produktmisbruk, misbruk, endring eller modifikasjon, eller defekter som skyldes montering, vedlikehold eller bruk som ikke samsvarer med produsentens anvisninger. DENNE GARANTIE ER DEN ENESTE GARANTIE SOM GJELDER FOR VÅRE PRODUKTER. DEN GJELDER I STEDET FOR ALLE ANDRE GARANTIER OG ALT ANNET ANSVAR, BÅDE UTTRYKT OG UNDERFØRSTÅTT.</p>
<p style="text-align: center;"><b>Obmedzená doživotná záruka</b></p> <p><b>Záruka pre koncového používateľa:</b> Spoločnosť CAPITAL SAFETY zaručuje pôvodnému koncovému používateľovi (ďalej len „koncový používateľ“), že jej výrobky sú bez chýb materiálu a vyhotovenia pri bežnom používaní a servise. Táto záruka platí po celú dobu životnosti výrobcu, od dátumu, kedy bol výrobok zakúpený koncovým používateľom, v novom a nepoužívanom stave, od autorizovaného distribútora spoločnosti CAPITAL SAFETY. Celkové ručenie spoločnosti CAPITAL SAFETY voči koncovému používateľovi a výhradný nápravny prostriedok podľa tejto záruky sa obmedzuje na fyzickú opravu alebo výmenu každého chybného výrobcu po dobu jeho životnosti (ako spoločnosť CAPITAL SAFETY určí podľa svojho vlastného uváženia a aké považuje za primerané). Ziadne ústne alebo písomné informácie ani rady poskytnuté spoločnosťou CAPITAL SAFETY, jej distribútormi, štatutárnymi predstaviteľmi, riaditeľmi, zástupcami alebo zamestnancami nezadávajú žiadne iné ani ďalšie záruky, ani akýmkoľvek spôsobom nerozširujú rozsah tejto záruky. Spoločnosť CAPITAL SAFETY neručí za chyby spôsobené nevhodným, neodborným používaním výrobcu, jeho upravami alebo zmenami, ani za chyby, spôsobené nesprávnou inštaláciou, údržbou alebo používaním výrobcu v rozpore s pokynmi výrobcu. TÁTO ZÁRUKA JE JEDINÁ ZÁRUKA NA NAŠE VÝROBKY A NAHRÁDZA VŠETKY OSTATNÉ ZÁRUKY A ZODPOVEDNOSTI, ČI UŽ POTVRDENÉ SLOVNE ALEBO IMPLICITNE.</p>	<p style="text-align: center;"><b>BEPERKTE LEVENSLANGE GARANTIE</b></p> <p><b>Garantie voor eindgebruiker:</b> CAPITAL SAFETY garandeert de oorspronkelijke eindgebruiker ("eindgebruiker") dat zijn producten bij normaal gebruik en service vrij zijn van defecten in materialen en vakmanschap. Deze garantie strekt zich uit tot de levensduur van het product vanaf de datum waarop het product in nieuwstaat en in ongebruikte toestand door de eindgebruiker wordt aangeschaft bij een door CAPITAL SAFETY geautoriseerde distributeur. De gehele aansprakelijkheid van CAPITAL SAFETY jegens de eindgebruiker en de enige remedie die de eindgebruiker ter beschikking staat onder deze garantie, is beperkt tot het repareren of vervangen van het defecte product binnen zijn levensduur (uitsluitend zoals CAPITAL SAFETY naar eigen goeddunken bepaalt en van toepassing acht). Geen enkele informatie of geen enkel advies, mondeling of schriftelijk, verstrekt door CAPITAL SAFETY, diens distributeurs, directieuren, functionarissen, agenten of medewerkers creëert andere of aanvullende garanties en vergroot in geen enkel geval de reikwijdte van deze garantie. CAPITAL SAFETY neemt geen aansprakelijkheid voor defecten die het gevolg zijn van misbruik, verkeerd gebruik, verandering of aanpassing van het product, of voor defecten die het gevolg zijn van het niet opvolgen van de instructies van de fabrikant bij het installeren, onderhouden of gebruiken van het product. DEZE GARANTIE IS DE ENIGE GARANTIE DIE VAN TOEPASSING IS OP ONZE PRODUCTEN EN TREEDT NIET IN DE PLAATS VAN ANDERE UITDRUKKELIJKE OF STILZWIJGENDE GARANTIES EN AANSPRAKELIJKHEDEN.</p>



Trusted Quality Fall Protection

**CSG USA & Latin America**

3833 SALA Way  
Red Wing, MN 55066-5005  
Toll Free: 800.328.6146  
Phone: 651.388.8282  
Fax: 651.388.5065  
solutions@capitalsafety.com

**CSG Canada**

260 Export Boulevard  
Mississauga, ON L5S 1Y9  
Phone: 905.795.9333  
Toll-Free: 800.387.7484  
Fax: 888.387.7484  
info.ca@capitalsafety.com

**CSG Northern Europe**

5a Merse Road  
North Moons, Moat  
Reditch, Worcestershire, UK  
B98 9HL  
Phone: + 44 (0)1527 548 000  
Fax: + 44 (0)1527 591 000  
csgne@capitalsafety.com

**CSG EMEA  
(Europe, Middle East, Africa)**

Le Broc Center  
Z.I. 1ère Avenue  
5600 M B.P. 15  
06511 Carros Le Broc Cedex  
France  
Phone: + 33 4 97 10 00 10  
Fax: + 33 4 93 08 79 70  
information@capitalsafety.com

**CSG Australia & New Zealand**

95 Derby Street  
Silverwater  
Sydney NSW 2128  
AUSTRALIA  
Phone: +(61) 2 8753 7600  
Toll-Free : 1 800 245 002 (AUS)  
Toll-Free : 0800 212 505 (NZ)  
Fax: +(61) 2 8753 7603  
sales@capitalsafety.com.au

**CSG Asia**

*Singapore:*  
16S, Enterprise Road  
Singapore 627666  
Phone: +65 - 65587758  
Fax: +65 - 65587058  
inquiry@capitalsafety.com

*Shanghai:*

Rm 1406, China Venturetech Plaza  
819 Nan Jing Xi Rd,  
Shanghai 200041, P R China  
Phone: +86 21 62539050  
Fax: +86 21 62539060

[www.capitalsafety.com](http://www.capitalsafety.com)

